



Aermec participate in the EUROVENT program: FCH the products are present on the site www.eurovent-certification.com



Features

- **VEC:** Fan coil for ambient air treatment during the summer. The air is delivered into the room via vents which, thanks to the COANDA effect, make the air jet adhere to the ceiling.
- Installation in false ceilings
- Compatible with VMF System
- Grille with suction and adjustable delivery vents with Coanda effect (compulsory accessory).
- 3-row coil
- Reduced pressure drops across heat exchangers
- For systems with fixed and variable delivery
- EUROVENT certified
- 3-speed fan unit
- Quiet operation
- Motors with permanently connected condensers
- Air filter easily removed and cleaned
- Internal insulation and air filter of Class 1 fire resistance
- Removable shrouds for easy, effective cleaning
- Reversibility of the water connections during installation
- Broad range of controls and accessories
- Easy installation and maintenance
- Full compliance with safety regulations
- For possible heat mode functioning, refer to the technical manual notes.

Accessoires

Compulsory accessories:

the following are essential for the functioning of the units:

- **VEC_GL:** air suction and delivery grille with adjustable Coanda-effect vents. (white color M9016 = white lacquer similar to Ral 9016).

Accessories:

- **AMP:** kit for wall-mounting installation.
- **BC5:** auxiliary condensate drain tray.
- **BV:** Single row hot water coil.
- **DSC4:** condensate drainage device for use when natural run-off is not possible.
- **SIT 3-5:** thermostat interface cards. These allow you to create a network of fan coils (max. 10), commanded from a centralised panel (selector or thermostat).
SIT3: commands the 3 fan speeds, and must be installed on each fan coil in the network; receives the commands from the selector or SIT5 card.
SIT5: commands the 3 fan speeds and up to 2 valves

(4-pipe systems); conveys the thermostat commands to the fan coil network.

- **SW3:** water temperature probe, allowing the implementation of automatic season changeover for those electronic thermostats equipped with water side changeover.
- **SWA:** SWA external probe accessory (length L = 6m). Detects the ambient air temperature if connected to the connector (A) of the panel FMT21; in this case the ambient air temperature probe built into the panel will be automatically disabled. Detects the temperature of the water in the system to allow ventilation consent if connected to the connector (W) of the panel FMT21. Two SWA probes may be simultaneously connected to the panel FMT21.
- **VCF:** kit consisting of a 3-way motorised valve, and copper couplings and pipes. For 3-row and 1-row coils (BV). Versions with 230V and 24V~50Hz power supply.
- **VCFD:** Kit consisting of a 2-way motorised valve, and

copper couplings and pipes. For 3-row and 1-row coils (BV). Versions with 230V and 24V~50Hz power supply.

- **Control panel and VMF system:** the features of the control panels are described in the relevant card.

Accessoires for heating mode

- **RX:** Armoured electric coil with safety thermostat. (Requires a thermostat with heater management).
- **PXAR:** Electronic thermostat with thermostated or continuous ventilation.
- **PCR1:** Galvanised plate protection for the controls and the electrical element
- **BV:** Single row hot water coil.
- **VCF:** the kit contains a motorised 3-way valve with insulating shell, plus coupling and pipes in insulated copper. For 3-row.
- **VCFD:** Kit consisting of powered 2-way valve, copper couplings and pipes. For 3 row

VEC (Standard coil)	20	30	40	50
VEC (increased coil)	24	34	44	54
Compulsory accessoires				
VEC20GL
VEC30GL
VEC40GL
Accessoires				
BC5
DSC4	(1)	.	.	.
SIT3
SIT5
SW3
SWA
VCF41 (standard coil)	41	41	42	42
VCF42 (increased coil)	42	42	42	42
VCF4124 (standard coil)	4124	4124	4224	4224
VCF4224 (increased coil)	4224	4224	4224	4224
VCFD1 (standard coil)
VCFD2 (increased coil)
VCFD124 (standard coil)

VEC (Standard coil)	20	30	40	50
VEC (increased coil)	24	34	44	54
VCFD224 (increased coil)
Control panel				
FMT10
FMT21
KTLP
PX2
PX2C6*
PX
PXAE
TPF
TF1
WMT05
WMT06
WMT10
VMF-System				
VMF-E4 / E4D
VMF-E0 / E19
VMF-E5B / E5N

VEC (Standard coil)	20	30	40	50
VEC (increased coil)	24	34	44	54
VMF-SW
VMF-SW1
Accessoires for heating mode				
RX22	(2)	.	.	.
RX32	(2)	.	.	.
RX42	(2)	.	.	.
RX52	(2)	.	.	.
PXAR	(2)	.	.	.
PCR1	(2)	.	.	.
BV122	(2)(3)	.	.	.
BV132	(2)(3)	.	.	.
BV142	(2)(3)	.	.	.
VCF44	(2)(4)	.	.	.
VCF4424	(2)(4)	.	.	.
VCFD4	(2)(4)	.	.	.
VCFD424	(2)(4)	.	.	.

(1) DSC4 The accessory is not compatible with the basins BC5, and VMF system.
 (2) For the Heating mode read the notes and warnings in the technical booklet.
 (3) Available only unit 20 - 30 - 40 - 50
 (4) Accessoires only for coil additioning (BV)
 PX2C6, PX2 panel in multiple 6-piece pack, for only wall installation

Technical data

VEC	20			24			30			34			40			44			50			54					
	H	M	L	H	M	L	H	M	L	H	M	L	H	M	L	H	M	L	H	M	L	H	M	L			
Fan speed																											
Heating Performance																											
2 pipe configuration																											
Heating capacity (70°C)	(1)	kW		3,10	2,54	1,87	3,42	2,50	2,07	4,31	3,64	3,03	6,14	5,18	4,31	6,29	5,21	4,21	8,07	6,68	5,41	7,16	6,34	4,76	9,18	8,08	6,06
Water flow rate	(1)	l/h		272	223	164	300	219	181	378	319	266	538	454	378	551	457	369	708	586	474	628	556	417	805	709	532
Pressure drops	(1)	kPa		6,0	4,0	2,0	3,0	2,0	1,0	17,0	13,0	9,0	9,0	7,0	5,0	12,0	9,0	6,0	19,0	14,0	9,0	14,0	11,0	7,0	19,0	15,0	9,0
Heating capacity (45°C)	(2)	kW		1,54	1,27	0,93	1,70	1,40	1,27	2,32	1,81	1,50	3,05	2,57	2,15	3,13	2,59	2,09	4,02	3,32	2,69	3,56	3,15	2,37	4,57	4,02	3,02
Water flow rate	(2)	l/h		268	220	161	541	389	295	203	171	152	530	447	372	543	450	363	697	577	467	618	547	411	792	697	523
Pressure drops	(2)	kPa		6,0	4,0	2,0	3,7	2,5	1,5	9,5	7,0	6,0	9,0	7,0	5,0	12,0	9,0	6,0	19,0	13,0	9,0	14,0	11,0	7,0	18,0	15,0	9,0
Cooling Performance																											
Total cooling capacity	(3)	kW		1,86	1,44	0,86	1,50	1,20	0,86	1,91	1,61	1,35	2,47	2,14	1,79	2,99	2,47	1,99	3,91	3,34	2,55	3,61	3,17	2,35	4,28	4,00	3,00
Sensible cooling capacity	(3)	kW		1,48	1,22	0,65	1,13	0,89	0,65	1,49	1,25	1,03	1,78	1,51	1,26	2,41	1,98	1,58	2,74	2,42	1,91	2,59	2,27	1,68	2,91	2,44	1,79
Cooling capacity (latent)	(3)	l/h		227	187	138	516	387	308	476	358	284	425	368	308	513	425	341	672	574	439	621	545	404	737	688	515
Water flow rate	(3)	kPa		5,0	3,0	2,0	3,0	2,0	1,2	13,0	8,0	5,0	8,0	6,0	5,0	11,0	8,0	5,0	22,0	17,0	10,0	15,0	12,0	7,0	30,0	27,0	16,0
Pressure drops	(3)	kPa		5,0	3,0	2,0	3,0	2,0	1,2	13,0	8,0	5,0	8,0	6,0	5,0	11,0	8,0	5,0	22,0	17,0	10,0	15,0	12,0	7,0	30,0	27,0	16,0
Fans																											
Fan - Centrifugal	n°	1			1			2			2			2			2			2			2				
Air flow rate	m³/h	247	194	130	247	167	130	383	309	241	383	309	241	511	406	306	511	406	306	613	529	371	613	529	371		
Sound data																											
Sound power level	(4)	dB(A)		48	42	35	48	39	35	49	43	37	49	43	37	57	43	30	57	43	30	67	46	34	67	46	34
Sound pressure level	dB(A)	40	34	27	40	31	27	41	35	29	41	35	29	49	35	22	49	35	22	59	38	26	59	38	26		
Diameter connections																											
Standard coil	Ø	1/2"			3/4"			1/2"			3/4"			3/4"			3/4"			3/4"			3/4"				
Electrical Features																											
Absorbed power	W	25	22	19	25	22	19	44	33	25	44	33	25	57	43	30	57	43	30	67	46	34	67	46	34		
Electrical wiring		V3	V2	V1	V3	V2	V1	V3	V2	V1	V4	V2	V1	V3	V2	V1	V4	V2	V1	V4	V2	V1	V4	V2	V1		
Power supply		230V~50Hz																									

EU 2016/2281

H max. speed; M med. speed; L min. speed

(1) Room air 20°C b.s.; Water (in/out) 70°C/60°C;

(2) Room air 20°C b.s.; Water (in/out) 45°C/40°C (EUROVENT)

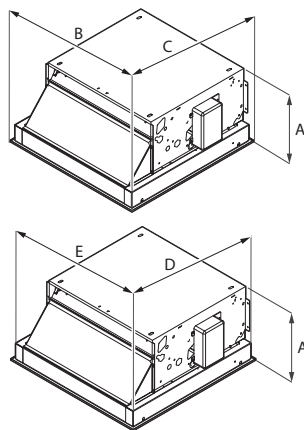
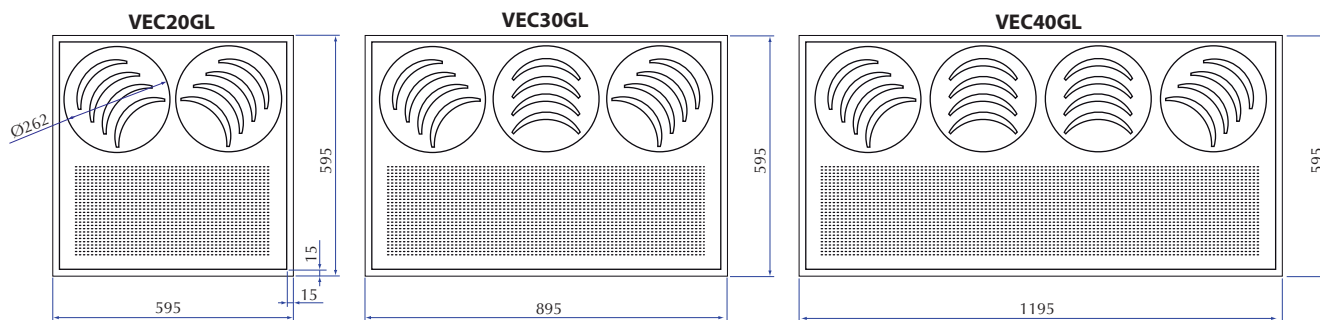
(3) Room air 27°C b.s./19°C b.u.; Water (in/out) 7°C/12°C (EUROVENT)

(4) Sound power: Aermec determines sound power values on the basis of measurements made in accordance with UNI EN 16583:15, as required for Eurovent certification.

Sound pressure level (A-weighted) measured in the room with volume V=85m³, reverberation time t = 0.5 s; Direction factor Q = 2; Distance r = 2.5m

Dimensions (mm)

VEC_GL (Compulsory accessory)



Dimensions VEC + VEC_GL (maximum dimensions)

Mod.	VEC	20/24 20GL	30/34 30GL	40/44 40GL	50/54 40GL
A	mm	283	283	283	283
B	mm	595	895	1195	1195
C	mm	595	595	595	595
Weight (VEC)	kg	15,5	20,6	24,7	24,7
Weight (VEC_GL)	kg	3,7	5,7	7	7

Dimensions VEC + VEC_GL (Dimensions for installation)

Mod.	VEC	20/24 20GL	30/34 30GL	40/44 40GL	50/54 40GL
A	mm	283	283	283	283
D	mm	574	574	574	574
E	mm	574	874	1174	174

All specifications are subject to change without prior notice. Although every effort has been made to ensure accuracy, Aermec does not assume responsibility or liability for eventual errors or omissions.

Aermec S.p.A.
Via Roma, 996 - 37040 Bevilacqua (VR) - Italia
Tel. 0442633111 - Telefax 044293577
www.aermec.com