

Omnia ULI

Fan coils with Inverter Brushless motor (EC)
Universal installation for residential use



- White**
- RAL 9002 Case
 - RAL 7044 Head and Feet

- **ELECTRIC SAVING EQUAL TO 50% COMPARED TO A FAN COIL WITH 3-SPEED MOTOR**
- **FULLY SILENT FUNCTIONING**

Features

Fan coils with inverter technology for heating, cooling, and dehumidifying. Equipped with a state of the art ventilation unit with continuous modulation of the air flow rate, which allows for precise adaptation of the actual indoor ambient requirements without temperature oscillations, for increased comfort, also in terms of noise, and electrical savings. It can be installed on 2-pipe systems and combined with any heat generator even at low temperatures. Choosing the optimal solution for any requirement is easy thanks to the various versions available and to the possibility of horizontal or vertical installation, depending on the version.

Version without on-board thermostat, vertical and horizontal installation:

ULI-S: version with cabinet without control but compatible with the VMF system or with other control panels that can be supplied as accessories.

Version with on-board thermostat, only vertical installation:

ULI-C: version with cabinet and electronic thermostat

ULI-PC: version with cabinet, electronic thermostat and Plasmacluster filter

- Silent functioning thanks to the special centrifugal fans with 0-100% continual speed variation Brushless motor.
- Adjustable air distribution grid
- Automatic fan coil switch-off when the air distribution grid is closed

- Electronic temperature adjustment, automatic speed change on the fan, seasonal change and automatic switch-on and off (version with thermostat)
- Reversibility of hydraulic connections during installation
- Low pressure drop in heat exchange coils
- Easy installation and maintenance.
- Air filter with easy extraction and cleaning.

Accessories

Accessories for the S version without on-board thermostat

- **WMT21:** Electronic thermostat for wall installation
- **SWAI:** Water temperature probe for WMT21 panels (2 m cable length)

VMF system

- **VMF-E18:** Thermostat for serial communication
- **VMF-E2D:** User interface to install on the machine with two selectors: one to control the temperature and one for the speed
- **VMF-E4:** The wall user interface allows you to control the functions via a capacitive touch keyboard.
- **VMF-E5:** The wall recessed panel allows you to control the functions of a complete hydronic system via a capacitive touch keyboard.

For further information on the thermostats and the VMF system, refer the the specific data sheet.

- **BC20:** Auxiliary condensate drip tray for horizontal installation

Accessories for the C-PC versions with on-board thermostat.

- **PTI2:** Standard installed on-board electronic thermostat
- **AMP10:** Kit for wall installation without feet

Accessories available for all versions

- **DSC5:** Condensate draining device when level differences must be exceeded. DSC5 is not compatible with BC10 - BC20.
- **BC10:** Auxiliary condensate drip tray for vertical installation
- **GU:** Intake grid covers the front space between the feet and does not interfere with the air filter.
- **PCU:** Rear closing panel
- **VCH:** Kit composed of 3-way motorised valve and copper pipes and connections.
- **VCHD:** Kit composed of 2-way motorised valve and copper pipes and connections.
- **ZU:** Feet for floor assembly.

| Omnia ULI | vers. | 16 | 26 | 36 |
|---|-------|----|----|----|
| Accessories for S version without thermostat | | | | |
| Thersmostat | | | | |
| WMT21 | S | • | • | • |
| SWAI | S | • | • | • |
| VMF System | | | | |
| VMF-E2D | S | • | • | • |
| VMF-E19I | S | • | • | • |
| VMF-E4 | S | • | • | • |
| VMF-E5 | S | • | • | • |
| BC10 o BC20 | S | • | • | • |

Standard AMP10 for S versions

(2) DSC5 is not compatible with trays BC10 - BC20

(3) It must be paired with ZU feet.

| Omnia UL_I | vers. | 16 | 26 | 36 |
|--|------------|-----------------|-----------------|-----------------|
| Accessories for the C-PC versions with thermostat | | | | |
| PTI2 | C-PC | as per standard | as per standard | as per standard |
| AMP10 | (1) C-PC | • | • | • |
| BC10 | C-PC | • | • | • |
| Accessories available for all versions | | | | |
| DSC5 | (2) C-PC-S | • | • | • |
| GU | (3) C-PC-S | • | • | • |
| PCU | C-PC-S | • | • | • |
| VCH | C-PC-S | • | • | • |
| VCHD | C-PC-S | • | • | • |
| ZU | C-PC-S | • | • | • |

Technical data

| Omnia UL_I | | 16 | | | 26 | | | 36 | | |
|-----------------------------|-----------|-----------|------|------|------|------|------|------|------|------|
| Fan speed | | H | M | L | H | M | L | H | M | L |
| Heating Performance | | | | | | | | | | |
| 2 pipe configuration | | | | | | | | | | |
| Heating capacity (70°C) | (1) kW | 2,91 | 2,12 | 1,54 | 4,62 | 3,83 | 2,89 | 5,94 | 4,87 | 3,53 |
| Water flow rate | (1) l/h | 255 | 186 | 135 | 405 | 336 | 254 | 521 | 427 | 310 |
| Pressure drops | (1) kPa | 4,0 | 2,0 | 1,0 | 11,0 | 8,0 | 5,0 | 7,0 | 5,0 | 3,0 |
| Heating capacity (45°C) | (2) kW | 1,44 | 1,05 | 0,76 | 2,29 | 1,90 | 1,44 | 2,95 | 2,42 | 1,75 |
| Water flow rate | (2) l/h | 251 | 183 | 133 | 399 | 331 | 249 | 513 | 420 | 305 |
| Pressure drops | (2) kPa | 2,5 | 2,5 | 1,5 | 11,0 | 8,0 | 5,0 | 18,0 | 12,5 | 7,0 |
| Cooling Performance | | | | | | | | | | |
| Total cooling capacity | (3) kW | 1,17 | 0,87 | 0,69 | 1,99 | 1,65 | 1,26 | 2,79 | 2,26 | 1,63 |
| Sensible cooling capacity | (3) kW | 0,96 | 0,69 | 0,52 | 1,61 | 1,30 | 0,97 | 2,00 | 1,59 | 1,13 |
| Latent cooling capacity | (3) kW | 0,21 | 0,18 | 0,17 | 0,38 | 0,35 | 0,29 | 0,79 | 0,67 | 0,50 |
| Water flow rate | (3) l/h | 206 | 153 | 122 | 349 | 289 | 220 | 487 | 394 | 286 |
| Pressure drops | (3) kPa | 5,0 | 3,0 | 2,2 | 11,0 | 8,0 | 5,0 | 19,0 | 13,0 | 6,8 |
| Fans | | | | | | | | | | |
| Fan - Centrifugal | n° | 1 | | | 2 | | | | | |
| Air flow rate | m³/h | 240 | 160 | 110 | 350 | 270 | 190 | 460 | 350 | 240 |
| Sound data | | | | | | | | | | |
| Sound power level | (4) dB(A) | 48 | 43 | 34 | 48 | 43 | 35 | 50 | 43 | 34 |
| Sound pressure level | dB(A) | 40 | 35 | 26 | 40 | 35 | 27 | 40 | 33 | 26 |
| Diameter connections | | | | | | | | | | |
| Standard coil | Ø | 1/2" | | | 1/2" | | | 1/2" | | |
| Electrical Features | | | | | | | | | | |
| Absorbed power | W | 12 | 8 | 6 | 15 | 10 | 7 | 18 | 12 | 8 |
| Signal 0-10V | % | 83 | 56 | 38 | 90 | 70 | 49 | 90 | 70 | 48 |
| Power supply | | 230V~50Hz | | | | | | | | |

Data in accordance with Regulation EU 2016/2281

H max. speed; M med. speed; L min. speed

(1) Room air 20°C b.s.; Water (in/out) 70°C/60°C;

(2) Room air 20°C b.s.; Water (in/out) 45°C/40°C (EUROVENT)

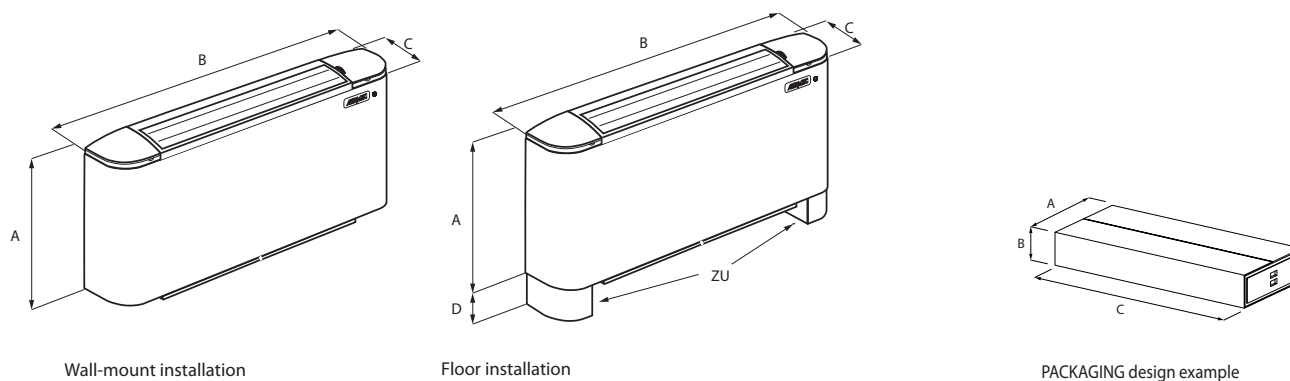
(3) Room air 27°C b.s./19°C b.u.; Water (in/out) 7°C/12°C (EUROVENT)

(4) Sound power level on the basis of measurements made in compliance with Eurovent 8/2

Sound pressure level (A-weighted) measured indoors with volume V=85m³, reverberation time t = 0.5 s; Direction factor Q = 2; Distance r = 2.5m

Note: For more information, please refer to the program selection and the technical documentation available on the website www.aermec.com

Dimensional (mm)



| Omnia UL_I | | 16 | 26 | 36 |
|-----------------------------|----|-------------|--------------|--------------|
| A | mm | 513 | 513 | 513 |
| B | mm | 750 | 980 | 1200 |
| C | mm | 173 | 173 | 173 |
| D | mm | 93 | 93 | 93 |
| Weight† | kg | 13,5 | 16,5 | 19,5 |
| Packaging Dimensions | | | | |
| A/B/C | mm | 590/275/820 | 590/275/1050 | 590/275/1270 |

All specifications are subject to change without prior notice. Although every effort has been made to ensure accuracy, Aermec does not assume responsibility or liability for eventual errors or omissions.

Aermec S.p.A.
Via Roma, 996 - 37040 Bevilacqua (VR) - Italia
Tel. 0442633111 - Telefax 044293577
www.aermec.com