

**Product  
Catalogue  
Commercial**

**2021**

# Highlights for 2021

## DVM S2

Samsung has been manufacturing DVM (Digital Variable Multi) outdoor units for 20 years. For 2021, Samsung introduces the next generation of VRF (Variable Refrigerant Flow) and the new DVM S2 range.

The current DVM S platform has been succeeded by the new DVM S2 range as the sixth generation of its Digital Variable Multi. The DVM S2 offers improved seasonal energy efficiency as compared to the current DVM S range. Artificial Intelligence (AI) control capabilities helps to optimize climate conditions based on diverse environment. This increases efficiency and performance without compromising on comfort. Additionally the DVM S2 offers enhanced installation and serviceability, all in a quieter unit made possible by outstanding noise reduction. In addition, the new range makes it easier to select units based on the streamlined indoor line up.



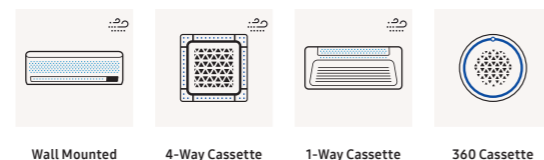
- Energy Efficiency – Redesigned to reduce the operating costs in the core components with unique technologies that are significantly more efficient.
- Active AI - Optimizes itself intelligently, based on machine learning about the installation conditions and usage patterns, so it always works efficiently and effectively.
- Refrigerant Reduction - Uses less refrigerant as it has a slimmer liquid line.
- Advanced Flash Injection - Features the AFI (Advanced Flash Injection) Compressor™, which delivers an incredible heating performance. Performs well at even lower temperatures, providing non-stop comfort in the coldest conditions.



## Unique Indoor Range

Samsung's unique WindFree™ cooling disperses fresh air gently and evenly through thousands of micro-holes, creating "Still Air" conditions<sup>1</sup>. It allows people to live, work and relax comfortably without experiencing unpleasant cold drafts.

Another signature technology Samsung 360 Cassette offers a brand new way of staying comfortably cool in every corner of the room. Its innovative circular design not only means it perfectly fits in everywhere, but it also blows cool air in all directions, so that the whole room is the same temperature<sup>2</sup>.

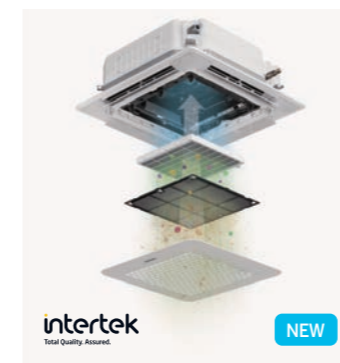


<sup>1</sup>ASHRAE (American Society of Heating, Refrigeration, and Air-Conditioning Engineers) defines "Still Air" as air currents moving at speeds below 0.15 m/s, which lacks the presence of cold draughts.  
<sup>2</sup>Within a 9.3 m radius the temperature difference is less than 0.6 °C. The test was carried out in the Samsung internal test lab.

## Premium Panels

Samsung is introducing Air Purification Panels, for the WindFree™ 1-Way and 4-Way Cassette and 360 Cassette. The washable filters provide easy maintenance and have been verified by Intertek for 99 % removal of certain types of bacteria with the use of the sterilization test<sup>3</sup>.

Another highlight is the Auto Elevation Panel which simplifies installations for end users or service engineers and provides greater safety with the use of single click. Available for the WindFree™ 4-Way Cassette and 360 Cassette.



### Air Purification Panel

- PM 1.0 Filter
- Indoor air quality indication
- Maintain comfort with WindFree™

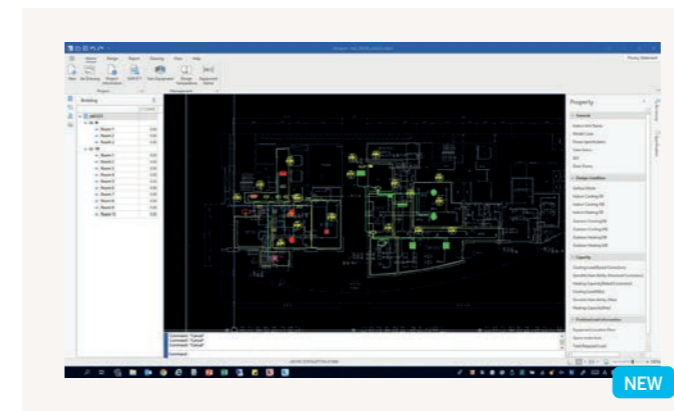


### Auto Elevation Panel

- Easy and safe maintenance of the filter therefore indoor air quality
- Dedicated remote controller
- Stylish design

## DVM Pro 2.0

Samsung DVM Pro 2.0 is an advanced design automation program that helps you design your air conditioning system more easily and precisely. You can simply select the most suitable equipment from the entire range of Samsung air conditioner products and design the system with its user-friendly interface, which significantly improves usability. And, it helps to ensure that the system's design complies with Samsung's engineering guidelines. The ability to export reports, pipe and wire diagrams, additional refrigerant values and other information make Samsung DVM Pro 2.0 a powerful tool for you as an engineer, designer or installer.



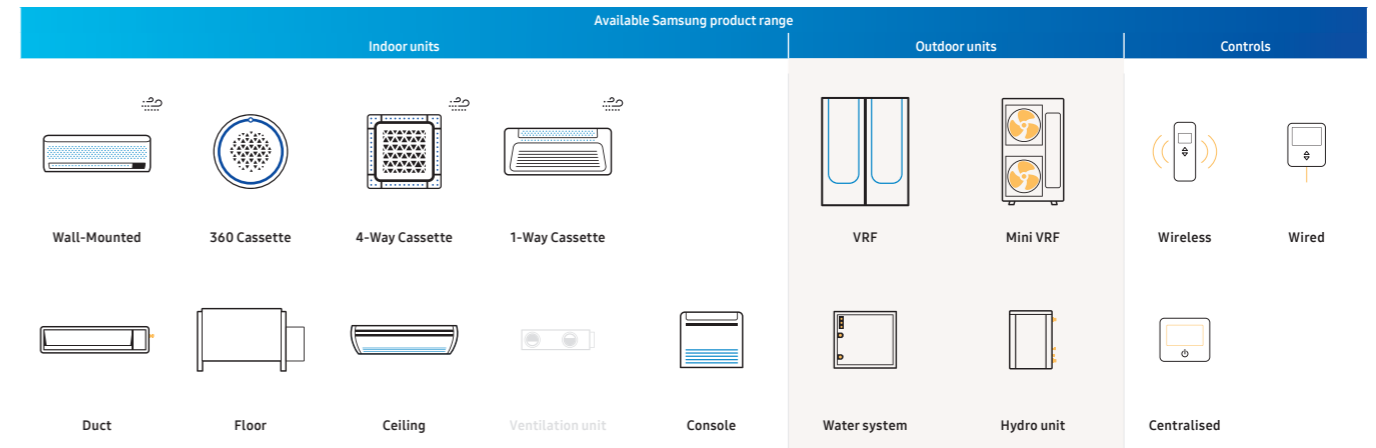
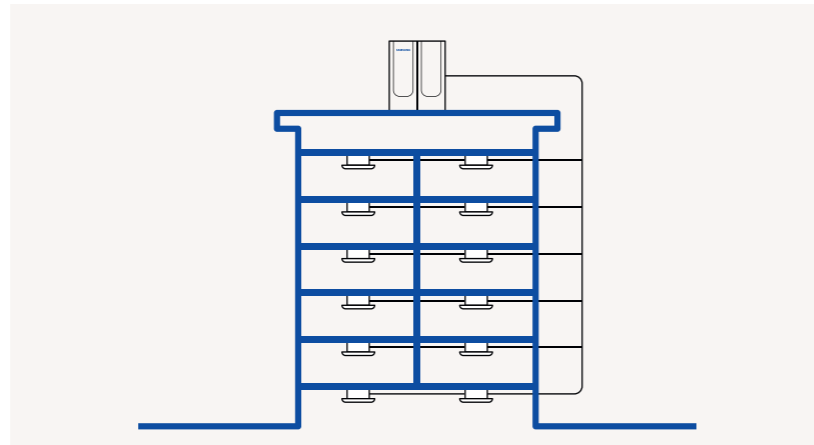
- Design in CAD mode without the need of AutoCAD
- BIM Library (bimobject.com) for Revit®
- Fast and user friendly product selection
- Complete product database
- Real time system check for design errors
- Quick and easy piping length and refrigerant calculation and reporting tool

<sup>3</sup>Intertek Report No.:RT20E-S0010-R Date: APR. 17, 2020(Revised) Based on the data collected the Hypothesis is accepted: The K-element (Electrostatic Precipitator) of Samsung Electronics can sterilize the certain types of bacteria that collected on the filter. (Escherichia coli: above 99 %, Staphylococcus aureus: above 99 %)

# Product overview

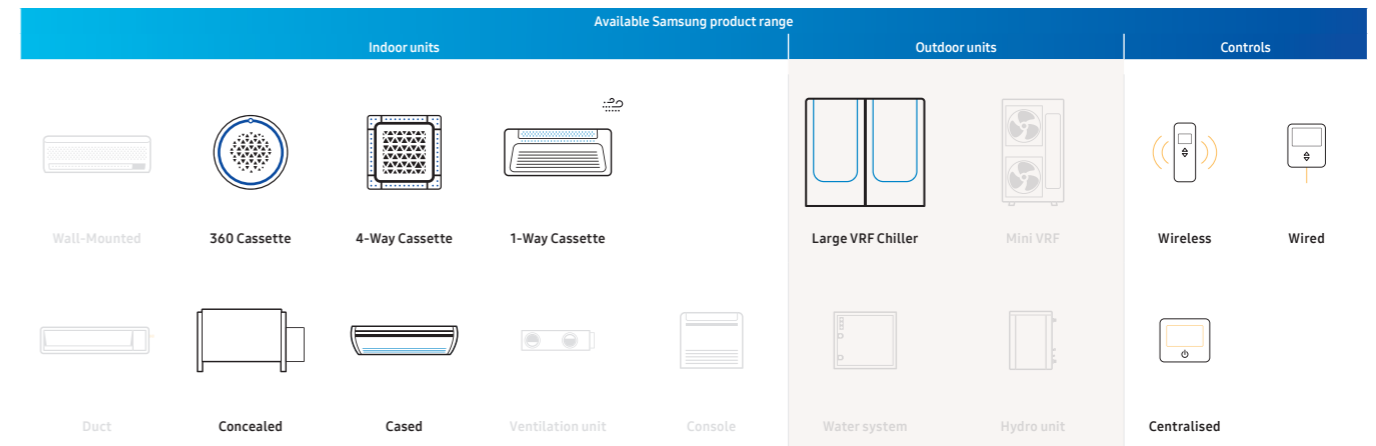
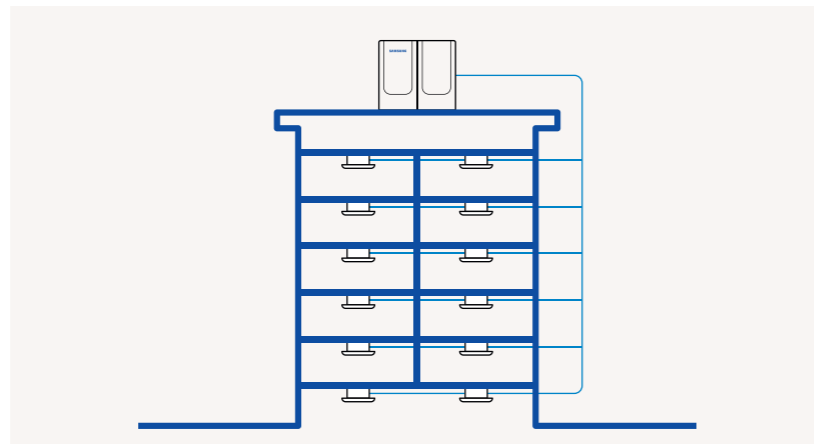
## VRF (DVM)

A Samsung VRF air conditioning system offers high installation flexibility with the new DVM S2 platform outdoor units, which can connect to up to 64 indoor units. This is an ideal solution for medium-sized to large commercial buildings, with the option of independently cooling or heating multiple rooms simultaneously.



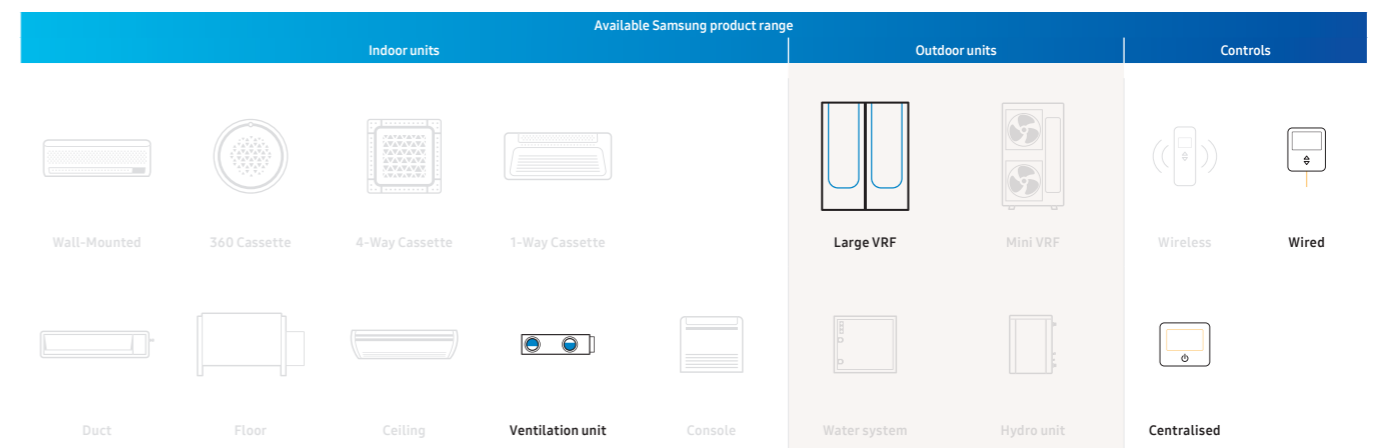
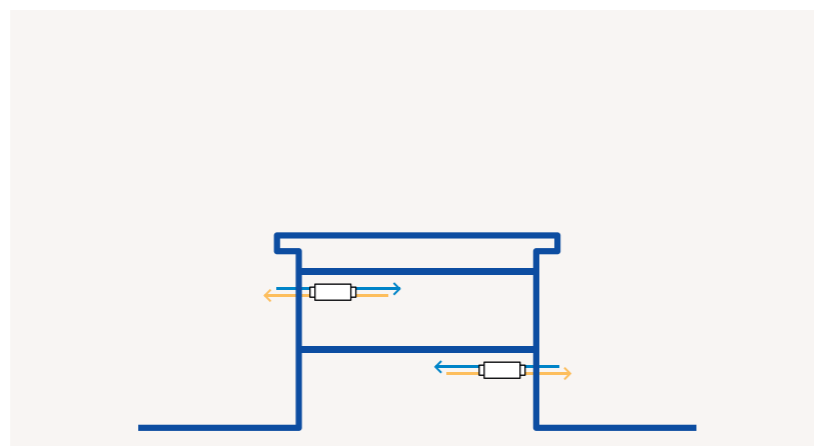
## VRF Chiller (HVM)

A Samsung VRF Chiller air conditioning system follows a modular concept with the option of combining up to 16 HVM outdoor units to form one climate solution, which can be connected to a wide range of Fan Coil Units. The system utilises water for comfortable cooling and heating of any type of space.



## Ventilation (ERV)

A Samsung ERV system brings fresh outside air into a room to optimise indoor air quality, while automatically adjusting its operation mode in accordance with indoor and outdoor temperatures. It can be connected to a Samsung VRF system to form a total climate solution.



Schematic drawings are for illustrative purposes only. For accurate installation information please consult the technical data book. The selection of the exact product is subject to specific application conditions. FCU = Fan Coil Unit. For more detailed product information and technical specifications, please consult the respective product pages of this Product Catalogue.



# Table of contents

## Introduction

Samsung Climate Solutions at a glance  
 Samsung reference projects in the spotlight  
 Regulations and standards  
 Certifications

## Innovations in detail

DVM S2 **NEW**  
 DVM S Eco  
 DVM S Water  
 Heat Recovery for DVM  
 HVM Chiller  
 LSP Slim Duct **NEW**  
 MSP/HSP Duct S **NEW**  
 WindFree™ Deluxe  
 WindFree™ 4-Way Cassette **UNIQUE**  
 WindFree™ 1-Way Cassette **UNIQUE**  
 360 Cassette **UNIQUE**  
 ERV (Plus)  
 Air Handling Unit (AHU) Kit  
 b.IoT

## VRF (DVM)

Line-up outdoor  
 Line-up indoor  
 Selection guide  
 Nomenclature  
 DVM S Eco Heat Pump  
 DVM S2 Essential Heat Pump (2-Pipe)  
 DVM S2 Standard Heat Pump (2-Pipe)  
 DVM S2 High EER Heat Pump (2-Pipe)  
 DVM S Eco Heat Recovery  
 DVM S2 High EER Heat Recovery (3-Pipe)  
 DVM S Water  
 WindFree™ 4-Way 600 x 600 Cassette **UNIQUE**  
 WindFree™ 4-Way Cassette **UNIQUE**  
 WindFree™ 1-Way Cassette **UNIQUE**  
 360 Cassette **UNIQUE**  
 LSP Duct  
 MSP Duct  
 HSP Duct  
 Console  
 Floor/Ceiling  
 Big Ceiling

Concealed Floor-Standing  
 Concealed Floor-Standing High Static Pressure  
 Packaged Floor-Standing  
 Boracay Wall-Mounted (EEV included and EEV excluded)  
 WindFree™ Deluxe (EEV included and EEV excluded)  
 Max Wall-Mounted  
 Hydro Unit  
 Mode Control Unit (MCU)  
 AHU Kit for Outdoor Unit

## VRF Chiller (HVM)

Line-up outdoor  
 Line-up indoor  
 Selection guide  
 Nomenclature  
 HVM Chiller  
 WindFree™ 1-Way Cassette FCU  
 4-Way Cassette FCU  
 360 Cassette FCU  
 Concealed FCU  
 Cased FCU

## Ventilation (ERV)

ERV  
 ERV Plus for DVM S  
 OAP Duct for DVM S

## Controls

Line-up  
 Selection guide  
 Features and dimensional drawings

## Accessories

Line-up

## Design and support

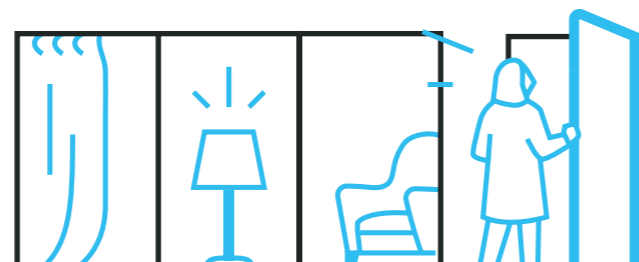
Samsung Climate Solutions Partner Portal  
 Samsung DVM Pro 2.0 **NEW**  
 Samsung HVM Selection Tool  
 Samsung specialist design support  
 Samsung Climate Solutions Academy

This document may either contain preliminary values or may lack some values that were not yet available at the time of creation. To obtain the latest information, please consult the Samsung Climate Solutions Partner Portal at [partnerhub.samsung.com/climate](http://partnerhub.samsung.com/climate) or contact your Samsung representative.

# Samsung Climate Solutions at a glance



## The solutions that we offer



At Samsung, we are redefining indoor climate comfort for tomorrow's society. We provide cutting-edge innovations and intelligent digital connectivity solutions.

## Our market-centric product ranges

	Home	Hotel	Retail	Office	Restaurant	Education
Residential	RAC   FJM					
Light Commercial	CAC   FJM				CAC	
Commercial					DVM   HVM   ERV   VRF	
Heating	EHS					
Controls						CONTROLS



## Services we provide to empower our partners

# Corporate and Technology milestones that make us proud

1974

Samsung introduces its first air conditioner.

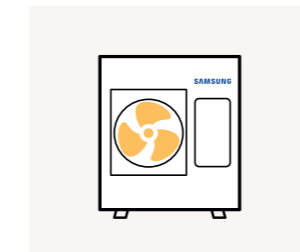
2005

Samsung Electronics enters the European market for commercial air conditioning.

2017

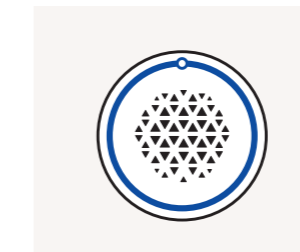
Samsung Electronics opens Samsung Electronics Air Conditioner Europe B.V. (SEACE) in Amsterdam.

2014



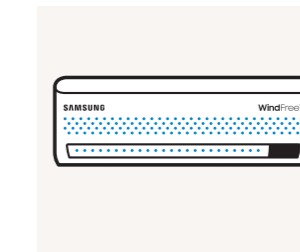
Arrival of the Samsung TDM concept, an all-in-one heat pump solution for heating, cooling and domestic hot water supply.

2015



Introduction of the Samsung 360 Cassette, the world's first circular air conditioner that fits seamlessly into the design of any space.

2017



Samsung WindFree™ technology comes onto the market, gently and evenly dispersing fresh air through thousands of micro-holes to limit cold drafts.

2021



Samsung launches the sixth generation of its Digital Variable Multi the DVM S2 equipped with AI technology, enhanced energy efficiency performance, easier installation and serviceability.

WindFree™

WindFree™ Cooling

SmartThings

Wi-Fi Control

b.IoT

Building Management System

## Our flagship innovations that enrich people's lives

## Our European footprint with the locations from which we operate

- 1 | Samsung Electronics Air Conditioner Europe B.V.
- 16 | Samsung offices
- 8 | Warehouses
- 9 | Training centres



# Samsung reference projects in the spotlight

## Circle K



### Zigmundas Kepalas

Manager Real Estate Development

Circle K Lietuv  
Savanoriu pr. 404B, Kaunas

"Circle K is one of the largest gas station chains in Lithuania which offers premium products and excellent service. In 2016 we developed a new retail store concept featuring a black ceiling. To complement the redesign of the stores, we looked for air conditioners that would fit seamlessly with our upgraded design. The Samsung 360 Cassette proved to be the best solution for us. The 360 Cassette evenly distributes air inside the stores to create the perfect microclimate for customers and operators and the round design and black-colored panels perfectly fit the interior. The unit is also easier to maintain compared to other air conditioners, and blade dust is eliminated due to its bladeless design. We have installed a total of eighty 360 Cassettes at our stores throughout Lithuania."

#### Application

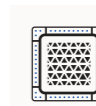


Retail

#### Samsung products installed



360 Cassette



WindFree™  
4-Way Cassette



Ceiling unit



Wall-Mounted



Commercial Split  
Outdoor Unit

# Samsung reference projects in the spotlight

## Hotel Oceania le Jura



### Marc Bonivert

Manager Hotel Oceania le Jura

**Hotel Oceania le Jura**  
14 Avenue Maréchal Foch  
21000 Dijon, France

“The Hotel Oceania le Jura is housed in a building constructed in the 18th century. For this reason, there is not enough space to install a large outdoor unit, which was a cause for concern when selecting air conditioning products. We eventually chose Samsung DVM S. Unlike a central chiller, the DVM S was the best choice for our hotel because we could install an outdoor unit with a small footprint in a compact space above the building.”

### Application



Hotel

### Samsung products installed



4-Way Cassette



Duct



Wall-Mounted



DVM S

# Regulations and standards




Samsung strives to provide customers with new eco-friendly experiences and lead the way to a sustainable future for the global community through innovative and eco-friendly products and technology. We monitor applicable environmental standards and laws and regulations in the context of our climate solutions operations. Samsung also conducts environmental improvement activities across all product development, production, distribution, use and disposal phases.

## Ecodesign

The Ecodesign Directive for Energy Related Products (ErP) aims to raise awareness about the energy efficiency of products, while stimulating manufacturers to make their products more energy efficient from the design phase. The Directive is applicable to a broad range of cooling and heating products, which have been divided into different lots.

LOT 10 was implemented on 1 January 2013 and covers air conditioners with a capacity less than 12 kW, typically residential or light commercial systems. It requires manufacturers to provide highly visible

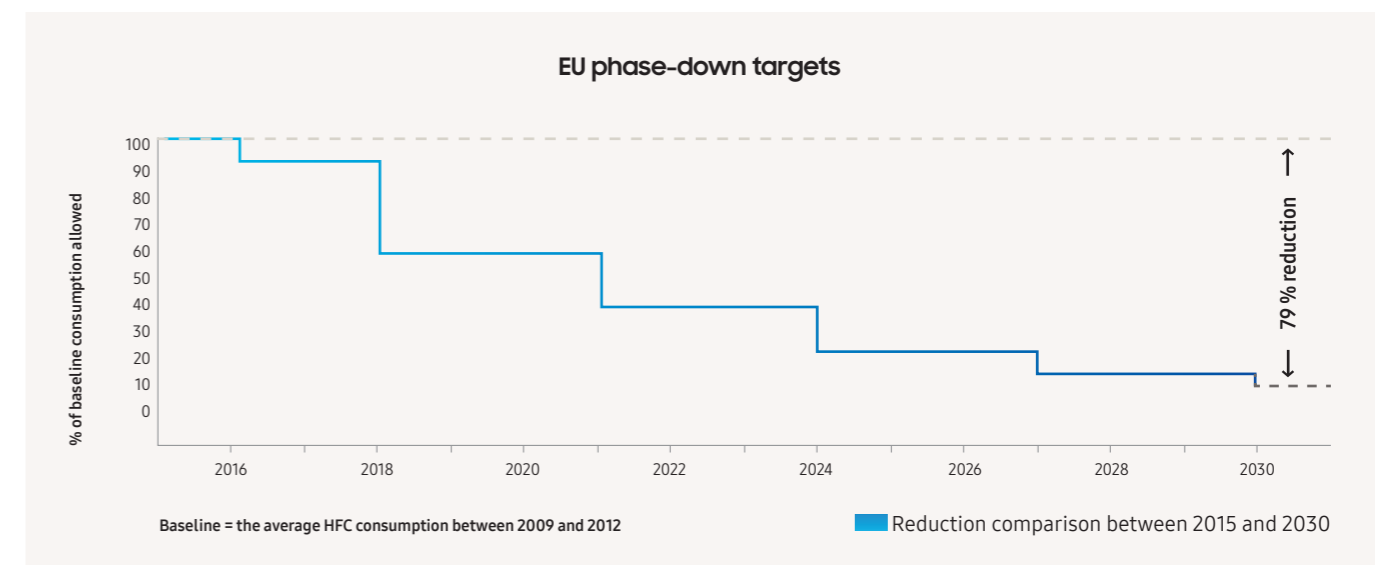
information regarding energy efficiency, including an energy label. LOT 1 and 2 took effect on 26 September 2015 and include residential air to water heat pumps for space heating and hot water production respectively (< 400 kW). It is mandatory to provide energy labels for products with a capacity less than 70 kW. On 1 January 2018, LOT 21 came into force. LOT 21 covers commercial cooling and heating products with a capacity greater than 12 kW. It does not require manufacturers to publish energy labels, but energy performance data should be made available online.

	LOTS 1/2	LOT 10	LOT 21
<b>In effect since</b>	26 September 2015	1 January 2013	1 January 2018
<b>Applicable products</b>	A2W heat pumps < 400 kW	Air conditioners < 12 kW	Air conditioners > 12 kW
<b>Energy label required</b>	✓	✓	
<b>Samsung product range</b>	 EHS	 RAC   FJM   CAC	 CAC   DVM   HVM

## F-Gas regulation

The EU aims to reduce the environmental impact of F-gases through the reduction of the CO<sub>2</sub> equivalent consumption of HFCs (hydrofluorocarbons). EU regulation 517/2014 prescribes a phase-down of HFCs, where the quantities of HFCs that are placed on the market are gradually reduced through the allocation of quotas by the European Commission. The phase-down targets are expressed in CO<sub>2</sub> equivalents (= kg x GWP - Global Warming Potential) and aim to reduce HFC

consumption by 79 % in 2030. For new installations of single split air conditioners with a refrigerant charge below 3 kg, the GWP limit is set at 750 starting in 2025. The regulation has been put into force to motivate the industry and its users to transition to refrigerants with a lower GWP. Samsung is accelerating the transition towards lower GWP refrigerants, such as R32, and will continue its investments in environmentally friendly alternatives.



## EN378 standard

Effective since 31 May 2017, the European EN378 standard provides guidance for companies who design, install, operate and maintain air conditioners, heat pumps and similar systems that use refrigerants. Based on the access characteristics of occupied spaces into which a refrigerant could leak, and an assessment of the refrigerant's toxicity and flammability, refrigerant charge limits are set and safety measures are prescribed to mitigate risk in the possible event of a refrigerant leakage.

Access categories range from general access areas, such as hotels, restaurants and shopping areas, to more restricted supervised and authorised areas.

The location of refrigerant systems follows a classification of four classes, where VRF systems are typically defined as Class II, either located in a machine room or in the open air. Subject to the available ventilation in rooms, additional measures may be needed such as mechanical ventilation or detectors.

Samsung offers specialist support to professionals in the design of cooling and heating installations. Please contact your Samsung representative to enquire about support in aligning your project design with the requirements of the EN378 standard.



## WEEE: Electronic Waste

Samsung adheres to the WEEE (Waste Electrical and Electronic Equipment) Directive. This Directive applies to the principles of extended producer responsibility. It stipulates the safe collection, treatment, recycling and environmentally sound disposal of all electrical and electronic equipment. By working with collective recycling schemes in each EU member state Samsung co-finances the take-back and recycling of electronic products.

## Batteries

Samsung has been giving new life to used batteries by funding collection, treatment and recycling by local battery recycling organisations.

## Packaging

Samsung works together with recycling schemes and governmental organisations to collect, separate and reuse all packaging materials at various points in the distribution chain. Many materials can be recycled into new products and recycling helps to save natural resources. Recycling packaging helps to reuse valuable raw materials and to reduce the overall impact on the environment.

# Certifications

## Intertek

Intertek is a leading Total Quality Assurance provider to industries worldwide verifying air quality<sup>1</sup>. To deliver credibility, Intertek maintains extensive global accreditations and recognitions for testing and certification services. Working with Intertek helps showcase and maintain products' safety and performance attributes. Intertek's expertise in regulatory standards and certifications keeps you ahead of changes and challenges.

Intertek offers certification programmes that achieve market entry into a variety of global destinations, programmes for a more eco-friendly environment and also programmes to verify social accountability compliance for both manufacturers and suppliers.

Samsung's Tri-Care Filter, Air Purification Panels for WindFree™ Pure PM 1.0, WindFree™ 1-Way Cassette, WindFree™ 4-Way Cassette and 360 Cassette have been verified by Intertek.

**intertek**  
Total Quality. Assured.

## Eurovent

Eurovent is globally known for its quality mark 'Eurovent Certified Performance' which certifies performance ratings of air-conditioning and refrigeration products according to European and international standards. The 'Eurovent Certified Performance' mark indicates that the prescribed quality requirement has been fulfilled and should not require the need to be proven after the customer's decision and after the manufacturer's production process.

Eurovent is an accredited third-party certification body. It builds customer confidence by leveling the competitive playing field for all manufacturers and by increasing the integrity and accuracy of the industrial performance ratings. Thus providing trustworthy services to the entire ecosystem.

Samsung air conditioning products ranging from the Single Split (RAC), Multi Split (FJM), Commercial Split (CAC), Variable Refrigerant Flow (VRF) and Eco Heating System (EHS) line-up in the 'Air-to-Water' (A2W) heat pump category are all Eurovent certified.

To check the ongoing validity of the Eurovent certified products from Samsung, please visit: [www.eurovent-certification.com](http://www.eurovent-certification.com)



<sup>1</sup> Our products have not been tested for their effects on the COVID-19 virus. Therefore, we do not make or give any express or implied claims or guarantees with regard to COVID-19.



# Innovations in detail



## DVM S2

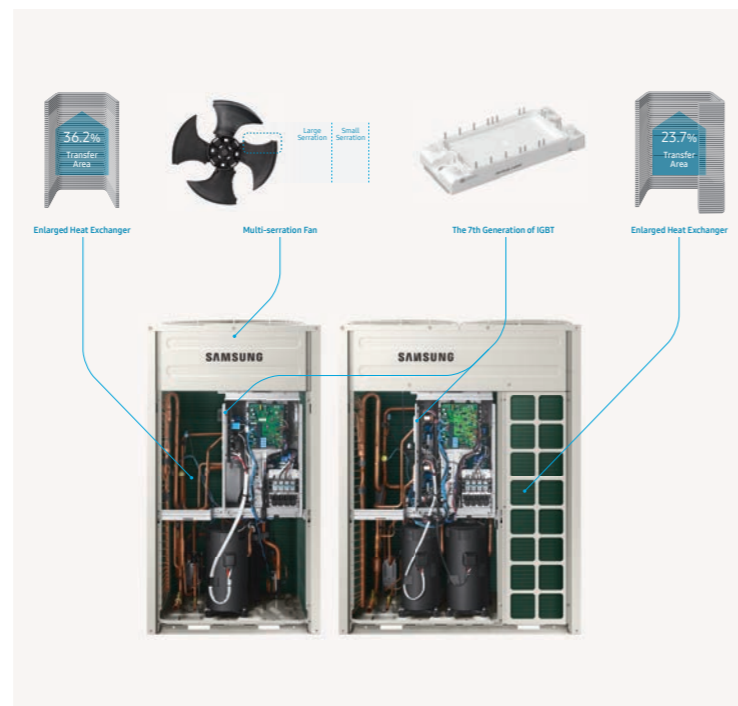
### Higher Energy Efficiency

The DVM S2 is equipped with four innovative technology components that together result in the DVM S2 delivering greater energy efficiency.

The enlarged Heat Exchanger can transfer more energy at once, and its optimized refrigerant path maximizes the transfer rate while minimizing any loss. These heat exchanger allow for 36.2 % greater heat transfer area on a smaller platform<sup>1</sup> and 23.7 % greater heat transfer on a larger platform<sup>2</sup>. The power module which is an integral part of the inverter system is improved as it lowers heat dissipation and saves energy.

The aerodynamic Multi-serration Fan minimizes the turbulence of the air vortex, which reduces the air resistance. The high efficiency Multi-Serration fan lowers power consumption by 32 % while providing more airflow<sup>3</sup>. The unit uses a superior Samsung scroll compressor which makes the unit more energy efficient compared to the current DVM S range.

The High-efficiency IGBT (Insulated Gate Bipolar Transistor) reduces the loss of conducted electricity.



<sup>1</sup> DVM S2 equipped with larger heat exchanger than conventional model AM100JXVAGH/ET. HX Length: 1,700 mm → 1,910 mm. Platform Width : 880 → 930 [mm].  
<sup>2</sup> DVM S2 equipped with larger heat exchanger than conventional model AM200KXVAGH/ET. HX Length: 2,100 mm → 2,600 mm.  
<sup>3</sup> Multi-serration fan adopted for small platform. Based on 12 HP models comparison.

### Active AI Technology

By learning usage patterns from recent operations and the surrounding conditions, the DVM S2 proactively creates, optimizes and maintains the most comfortable environment, while reducing energy consumption. The Active AI feature recognizes the conditions of the installed environments, while supplying optimized cooling<sup>1</sup> and heating performance, and real time refrigerant leakage monitoring based on advanced algorithms.

Active AI Pressure Control automatically adjusts the compression pressure to suit the conditions of each installation site and to reduce energy usage. The DVM S2 learns patterns of cooling operation and reaches rapidly to target low pressure, therefore resulting in faster cooling and comfort<sup>1</sup>. Benefit of high pressure AI control is that it can adjust the optimal high pressure and reduce unnecessary high pressure, thereby improving power consumption and energy<sup>2</sup>.

Active AI Defrost analyzes various operating data and defrosts more precisely. As a result, it reduces wasted energy and increases the continuous heating time. The active AI component can also with the help of the algorithm learn the current fan motors, temperature and defrost timing as well.

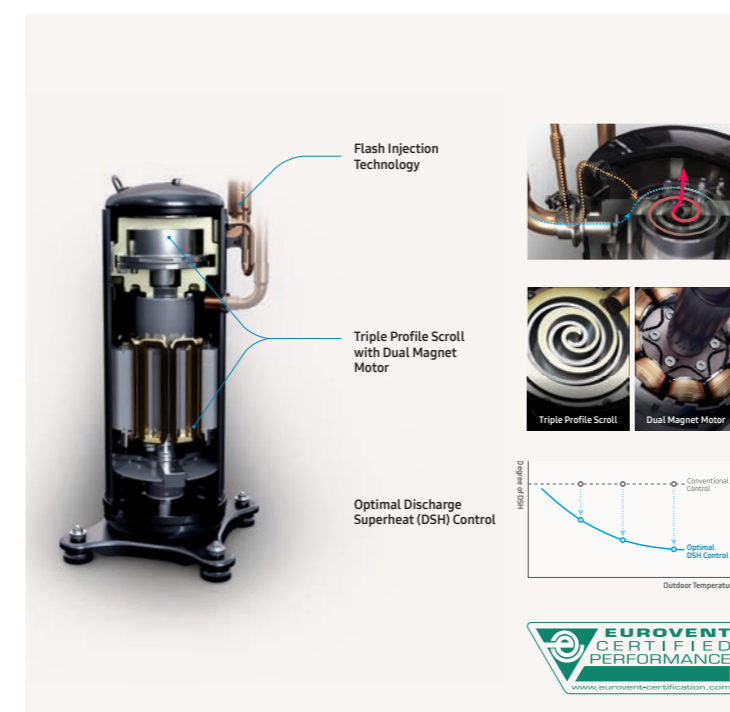
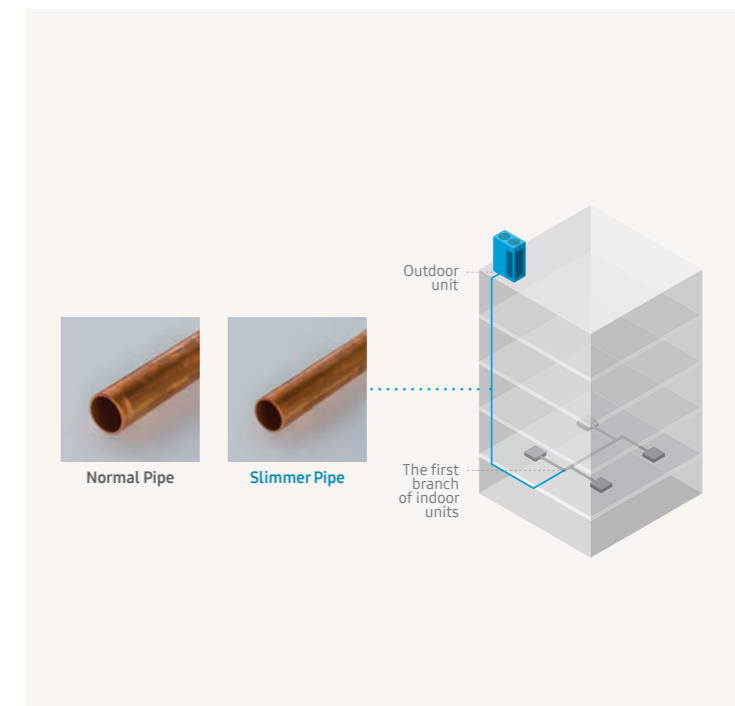
The Active AI Refrigerant Analysis monitors the refrigerant level by analyzing various operating data from the outdoor unit, and helps maintain the optimal amount of refrigerant by alarming before the problem occurs.

<sup>1</sup> 20 % faster cooling based on internal testing of the cooling operation, with the temperature set at 22 °C and using Auto mode for 4 hours, at a room temperature of 33 °C and an external temperature of 35 °C. The tested model was an AM080AXVGGH/EU connected to AM083NN4BHD1 and AM145NN4DBH1 indoor units with 25 m of piping. The elapsed times were measured when the room temperature reached 25 °C.  
<sup>2</sup> 15 % energy consumption is reduced with an AM080AXVGGH/EU outdoor unit connected to AM083NN4BHD1 and AM145NN4DBH1 indoor units with 25 m of piping, using the cooling operation in Auto mode for 4 hours with an external temperature of 30 °C and a set temperature of 22 °C. Results may vary depending on the actual installation and usage conditions, such as the piping length, elevation and external temperature.

### Slimmer Liquid Line - (Optional Diameter Reduction)

The DVM S2 requires less refrigerant as it uses a slimmer liquid line<sup>1</sup>. So, it saves costs on the installation and maintenance of refrigerant and piping materials. In addition, by using less refrigerant it is more environmentally friendly, as it reduces CO<sub>2</sub> emissions. The decreasing of pipes has resulted in refrigerant reduction by 28 %<sup>2</sup>. As long as the maximum piping length is met it is possible to install a liquid line pipe with a diameter that is one level smaller for the main run. This allows you to save on pipe and refrigerant usage. The innovative technology used caters to a sustainable solution but also saves cost.

<sup>1</sup> A slimmer liquid line can be used between an outdoor unit and the first branch of indoor units. The diameter of the slimmer pipe will vary depending on the diameter of the pipe that is normally used. It may not be available in certain installation conditions, and is not compatible with certain AI functions of outdoor units. Please contact Samsung's technical professionals regarding its availability and for more detailed information.  
<sup>2</sup> When a slimmer pipe, instead of a normal pipe, is used for the Main Liquid Pipe on the same capacity of air conditioning system, the amount of refrigerant to be charged can be reduced by 28 % on average.



### AFI (Advanced Flash Injection) Compressor™

The Samsung AFI Compressor™ combines Flash Injection Technology with a strengthened Triple Profile Wrap and Optimal Discharge Superheat Control technology. It delivers a new level of comfort by maintaining pleasantly cool or warm conditions in every corner of a building all year round.

Flash Injection Technology increases the flow of refrigerant. So, the compressor continues working reliably improving the heating performance at even lower temperatures.

Triple Profile Scroll creates a much larger chamber and can withstand higher pressure while rotating reliably at high speed. Combining it with a Dual Magnet Motor, which increases the rotary power, creates the world's largest displacement volume<sup>1</sup>.

Optimal Discharge Superheat (DSH) Control automatically adjusts the degree of discharge superheat to heat more efficiently and effectively.

<sup>1</sup> Samsung circulates 14,400 cc/sec refrigerant (= 90 cc (displacement volume) x 160 rps (revolutions per second)).

# Innovations in detail

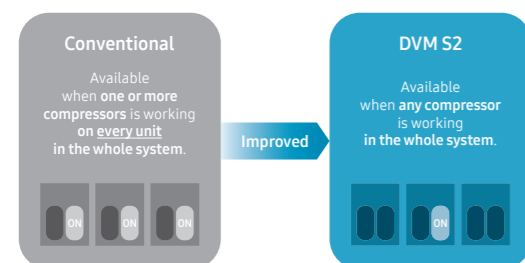


## DVM S2

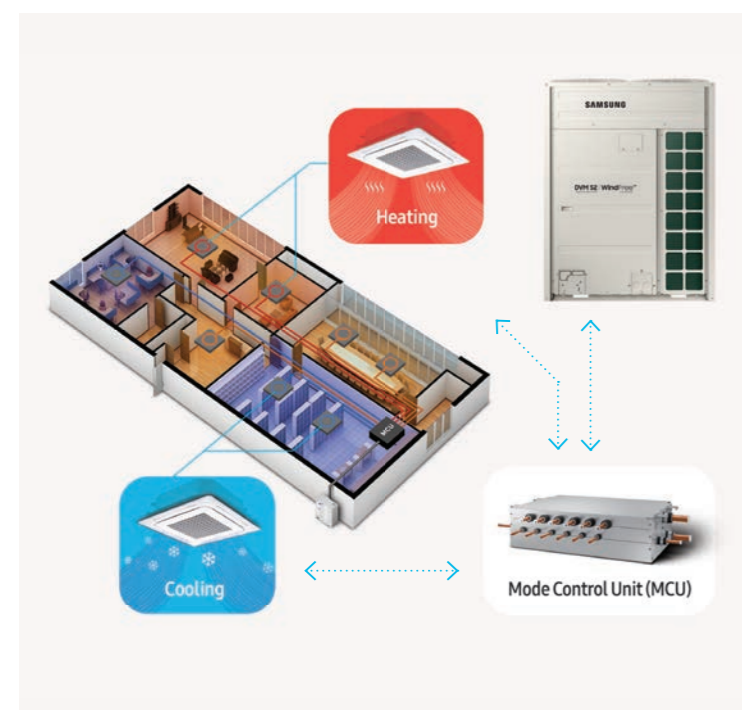
### Enhanced Emergency Operation

When the air conditioning system consists of multiple Samsung DVM S2 outdoor units, its refrigerant regulating control technology ensures that you can continue working using only one compressor in an emergency.

So, if every unit except one is not working or getting serviced and any compressor on the remaining one is working properly, it will keep cooling or heating for up to 8 hours. It ensures that you can maintain a comfortable indoor environment until the whole system is functioning properly again.



Example Cases of Malfunction	Emergency Operation	
	Conventional	DVM S2
When there are 2 or more units in a system, and one of the two compressors on a unit is not working.	Yes	Yes
When there are 2 or more units in a system, and one of the two compressors on each unit is not working.	Yes	Yes
When there are 2 or more units in a system, and all of the compressors on a unit are not working.	Not Available	Yes
When there are 2 or more units in a system, and a compressor on a low capacity unit is not working.	Not Available	Yes
When there are 2 or more units in a system, and a compressor on a low capacity unit and one of the two compressors on another unit are not working.	Not Available	Yes
When there is 1 unit in a system, and one of the two compressors on it is not working.	Not Available	Yes



### Mode Control Unit

An indoor unit connects to a 3-pipe Heat Recovery outdoor unit which heats and cools independently using a Mode Control Unit (MCU). MCUs are available in configurations ranging from 2 to 6 ports and can be piped together. This allows for up to 64 indoor unit connections to a single DVM S2 system (where specifications allow).



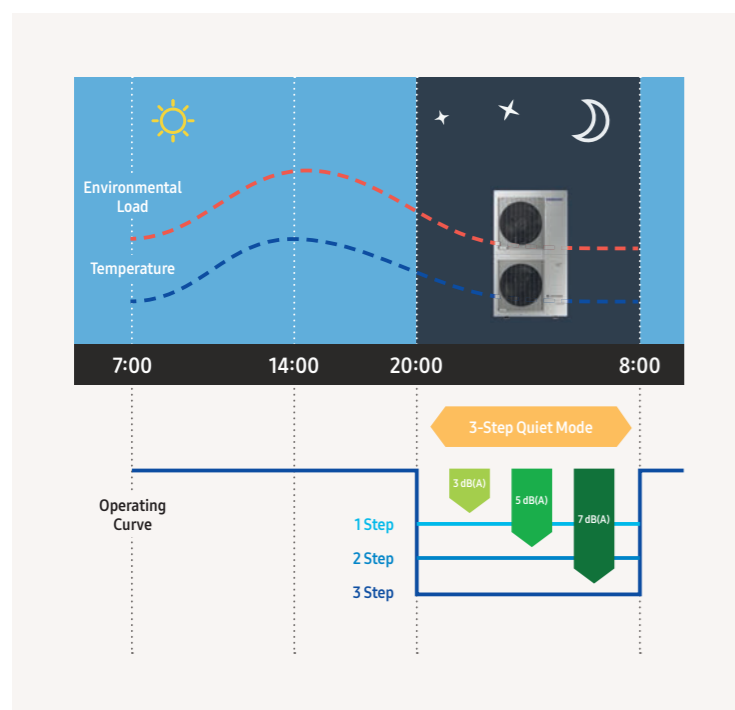
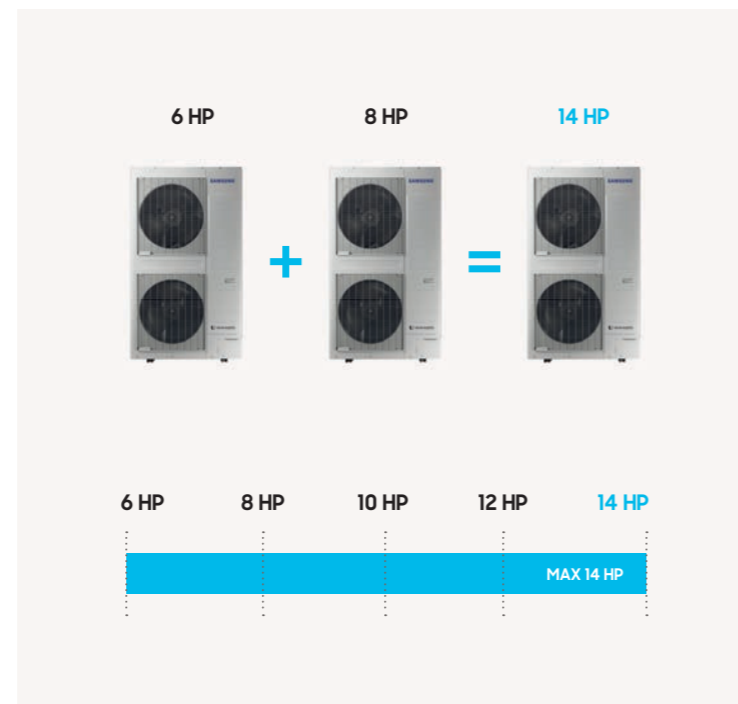
# Innovations in detail



## DVM S Eco

### High capacity in a compact design

DVM S Eco combines a high capacity up to 14HP with a small footprint. It is one of the most compact air conditioner units in its class today, making the DVM S Eco very easy and economical to install and operate without compromising on performance. It leaves plenty of extra space that can be used for other purposes.



### Silent mode

By producing less noise than conventional models, the DVM S Eco imposes fewer distractions on residential and working environments. Its compact, unimposing design and specially shaped fan blades help reduce sound levels in 3 steps, creating a more pleasant environment.

Additionally, its quiet operation during the night creates a restful environment with a reduced noise level of 3–7 dB(A)<sup>1</sup>.

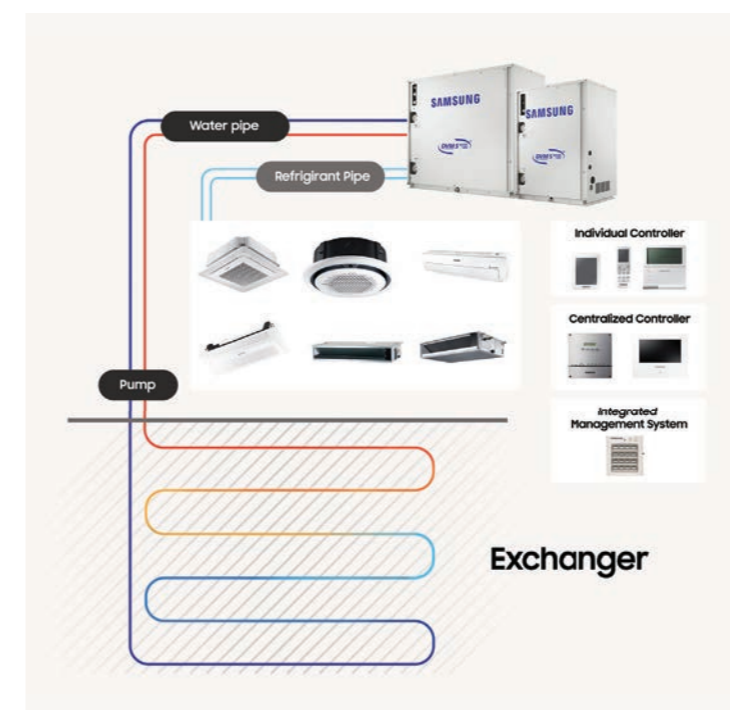
<sup>1</sup> Sound pressure level is obtained in an anechoic room. Sound pressure level is a relative value, depending on the distance and acoustic environment. Sound pressure level may differ depending on operation conditions. Silent mode is available by option setting.



## DVM S Water

### Optimal Water Flow Controller

The DVM S Water comes with a built-in Water Flow Controller that helps control the amount of water used to cool and heat an outdoor unit. The optimum flow of water is automatically determined by the temperature of the indoor space, making for minimum energy consumption at optimum standards, at reduced costs. And because this feature is standard, there is no need for a separate water flow control kit.



### Geothermal applications

Using a highly efficient compressor and heat exchanger, DVM S Water gives an effective and reliable performance, despite any changes to its environment. DVM S Water uses water as a means of heat exchange, and can be connected to various sources such as cooling towers, boilers, geothermal loops, lakes, ponds, soil, seawater and more. Its long piping and lightweight design make it easy and economical to install almost anywhere.

# Innovations in detail



## Heat Recovery for DVM



### Compact Heat Recovery solution

The Heat Recovery (HR) feature for Samsung DVM S ECO and DVM S High EER is designed to control temperatures in multiple spaces at once. Optimised for small hotels and residential buildings, it can provide cooling and heating for up to 10 indoor units simultaneously.

An HR Changer is used to convert a DVM S Eco Heat Pump (4, 5 and 6 hp) to a Heat Recovery (HR) model, which can be connected to a multiport Mode Control Unit (MCU).



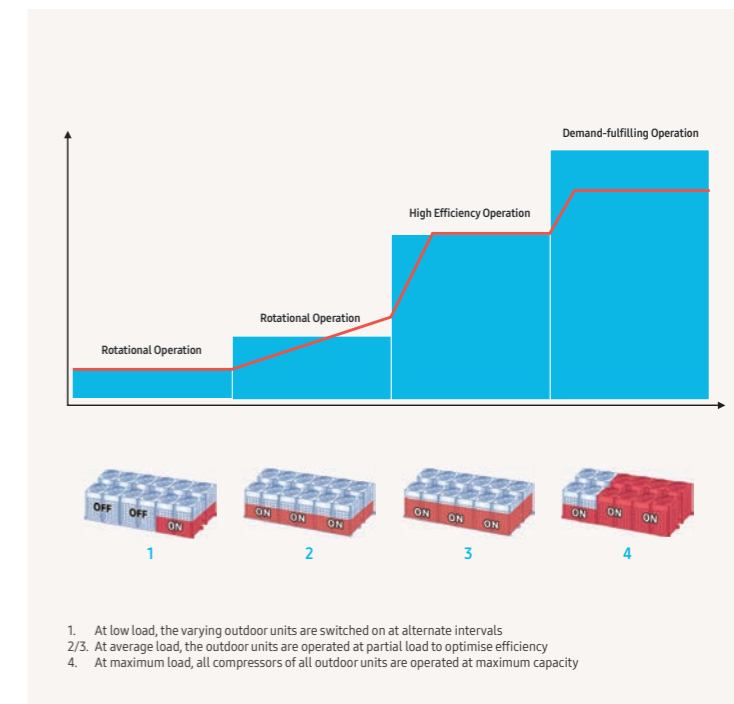
## HVM Chiller

### Modular Function

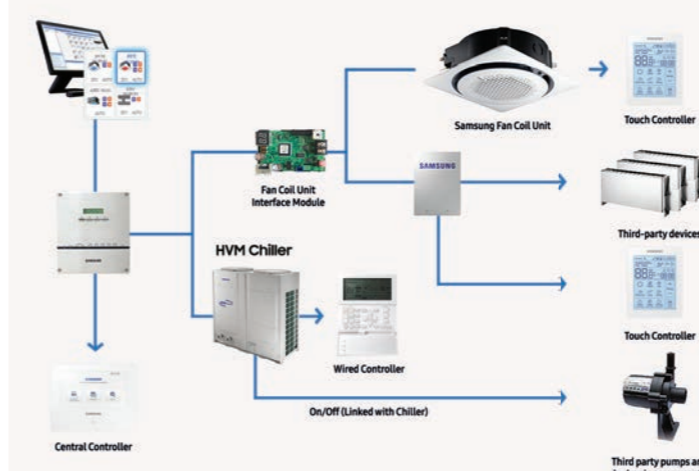
HVM Chiller heat pump outdoor units are available in three different sizes: 42/56/65 kW. A maximum of 16 outdoor units can be connected to achieve a maximum capacity of 1,040 kW. By connecting multiple units within a single system, the workload is adjusted automatically for maximum efficiency.

The HVM system's water-based concept eliminates the need for refrigerant inside the building, making it safer than traditional VRF systems. Its refrigerant charge is up to 65 % lower<sup>1</sup> than in traditional VRF systems.

<sup>1</sup> Compared to a Samsung DVM S 60 hp, holding R410A refrigerant, connected to twelve 14 kW indoor units and 100 metres of pipes.



### System Control



### Local and centralised controls

The DVM Chiller utilises the same integrated control systems as a VRF system, and can be connected to a third-party Building Management System (BMS). With the use of the Fan Coil Unit (FCU) kit, third-party indoor units and control systems can also be connected. The Samsung DMS 2.5 makes control and maintenance easy.



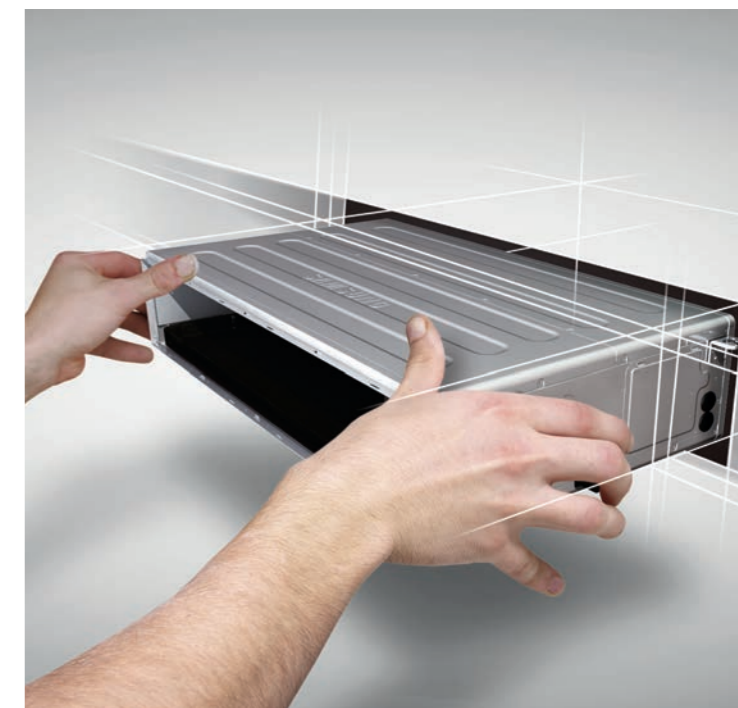
# Innovations in detail

## LSP Slim Duct

### Slim design for small ceiling spaces

The Slim Duct S is 200 mm in height, making it much narrower than conventional products. This allows for easy installation and maintenance in all kinds of spaces.<sup>1</sup>

<sup>1</sup> Based on the AM017-071\*NLD\*H/EU



### Built-in drain pump<sup>1</sup>

A check valve on the drain pump prevents drained water from flowing back into the drain pan, minimising the water level in the drain pan. This modern design feature means no water stagnation, and prevents drain water overflowing into your interiors.

<sup>1</sup> Based on models AM\*\*\*KNLDEH/EU, AM\*\*\*MNLH/EU

# Innovations in detail



## MSP/HSP Duct S<sup>1</sup>



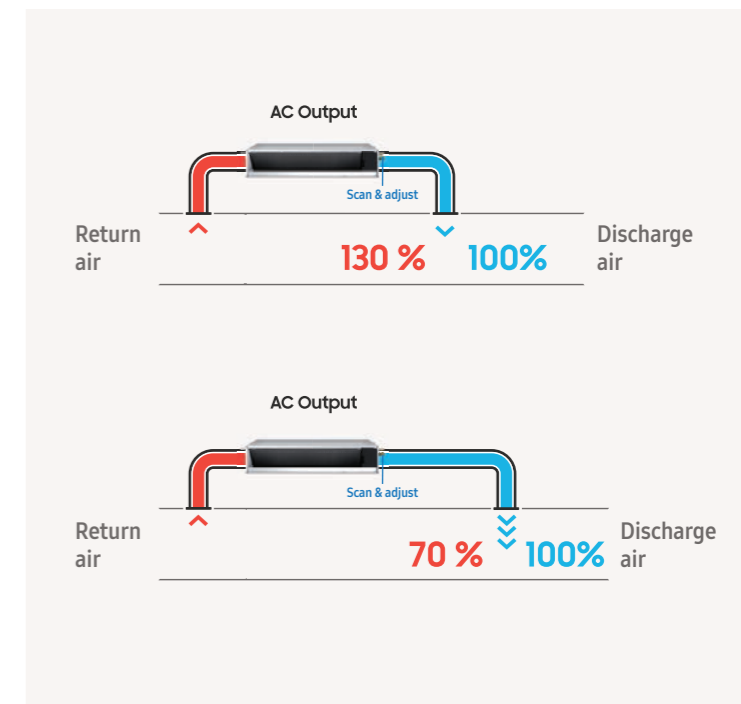
## Easy installation and maintenance

Thanks to their ultra-compact design, Samsung duct units can be placed anywhere. This makes for easy installation and maintenance. The indoor unit can be accessed from three directions: from the top, bottom and one side, making maintenance simpler than ever.

## Automatic External Static Pressure (ESP) setting

The automatic operation of the external static pressure feature is very simple to set up.

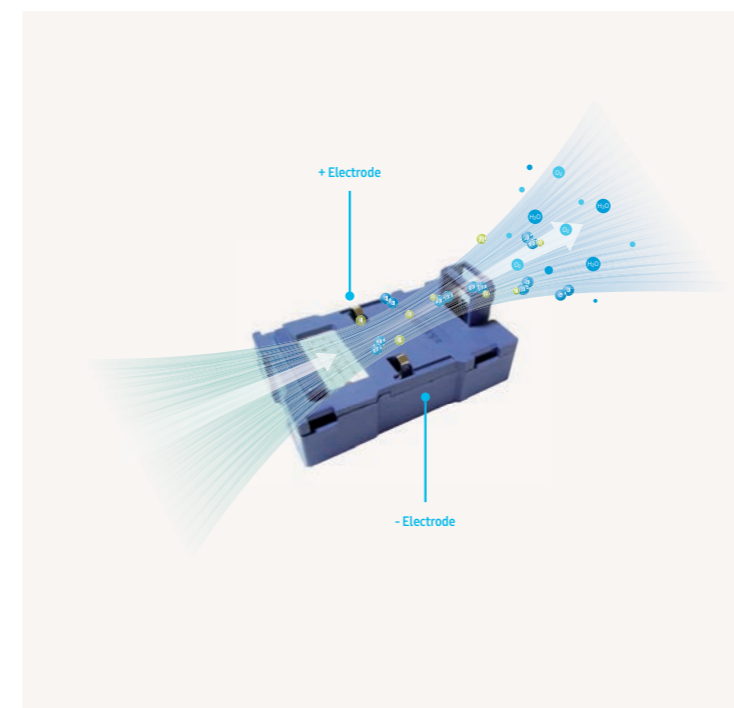
This auto setting enables you to choose the optimal operating range for the fan. The result is the greatest possible comfort with an optimal balance between sound level and capacity. Please contact your Samsung representative to find out which indoor units feature this function.



## Indoor discharge temperature

Each ducted indoor unit, or Air Handling Unit (AHU) kit, boosts discharge air temperature control function that offers greater comfort without the need to change the outdoor unit setting. Cooling and heating options can be selected using a remote control, and this applies to all ducted/AHU connected systems.

<sup>1</sup>Based on model AM\*\*AN\*PKH/EU



## Keep cleaner Indoor Air Quality with SPi kit (optional)

Users can enhance the indoor air quality with the optional Samsung Plasma ionizer kit for a cleaner work or living environment. The easy-to-install ionizer kit generates active hydrogen and oxygen ions to reduce air pollutants.



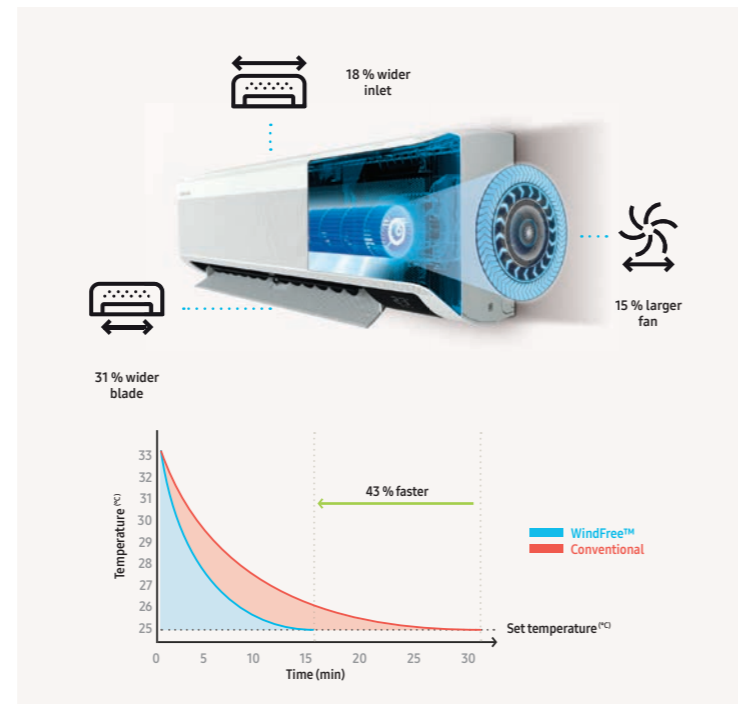
# Innovations in detail

## WindFree™ Deluxe

### High capacity in a compact design

Samsung wall-mounted air conditioners with WindFree™ technology cool quickly from corner to corner, making people comfortable whenever they want and wherever they are. Its advanced design also features a 15 % larger fan, 18 % wider inlet and a 31 % wider blade than conventional models. This means that cool air is dispersed farther and wider into every corner of a room, reaching up to 15 metres<sup>1</sup>.

<sup>1</sup> ASHRAE (American Society of Heating, Refrigeration, and Air-Conditioning Engineers) defines "Still Air" as air currents at speeds below 0.15 m/s which lacks the presence of cold drafts.



### Easy Installation and Servicing

The WindFree™ wall-mounted air conditioner features a snap-fit bottom cover that can be easily opened and closed. There are two screw points which allows for convenient installation and servicing. Unlike conventional brackets that can be fitted on two fixed hooks, the unit uses a roller type bracket that simplifies the installation process. This makes it easy to mount by installing the bracket on the wall and sliding it effortlessly into the exact position you want.

**Two screw points**

**No special tool needed**

Samsung's roller type bracket makes mounting the unit much easier. Simply hang it on the unit and find the best place to install it by sliding the bracket from side to side.

Assembled parts (6)/ Screw points (5)

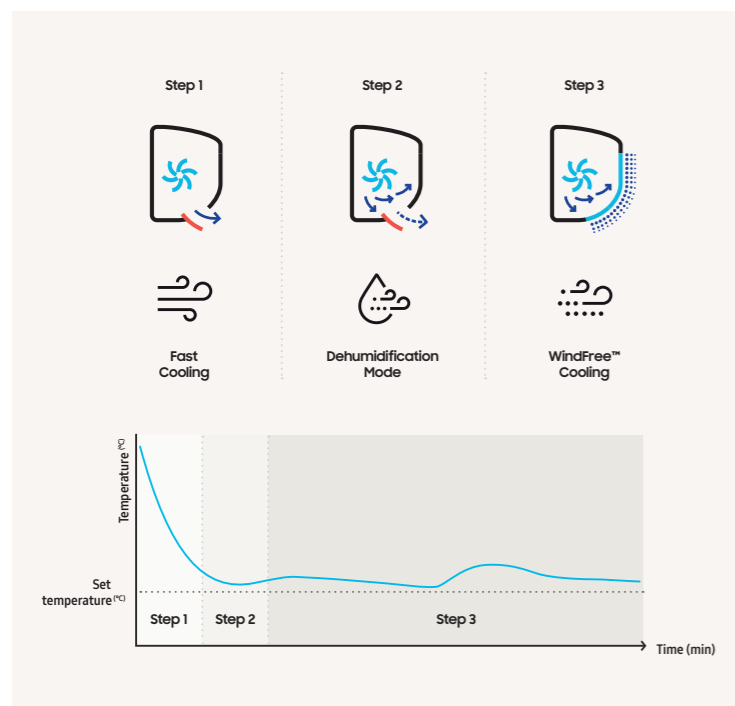
**45% ↓**

Assembled parts (3)/ Screw points (2)

**Installation time: 9.3 min**

**Installation time: 5.1 min**

<sup>1</sup> Tested on the AM022TNDKHEU model compared with the Samsung conventional AM022JNDKHEU model under specific conditions and may vary on specific factors



### WindFree™ Cooling

WindFree™ Cooling mode keeps the room comfortably cool. It cools gently and quietly, dispersing air through 23,000 micro-holes so that people never have to deal with the unpleasant feeling of a cold draft on their skin. This results in a "Still Air" environment<sup>1</sup> with a very low air speed and limited noise<sup>2</sup>. The advanced airflow structure of this mode also means that it cools a wider and larger area more evenly. And it consumes 77 % less energy than Fast Cooling mode<sup>3</sup>, so people can stay comfortably cool while reducing energy costs.

<sup>1</sup> ASHRAE (the American Society of Heating, Refrigerating, and Air-Conditioning Engineers) defines "Still Air" as air currents moving at speeds below 0.15 m/s, with no cold drafts.

<sup>2</sup> Tested on the AR12TXCAAWKNEU model in an anechoic environment. WindFree™ mode generates 23 dB(A) of noise, compared to 26 dB(A) produced by the conventional Samsung model. Sound pressure level is a relative value, depending on the distance and acoustic environment. Sound pressure level may differ according to operating conditions.

<sup>3</sup> Tested on the AR12TVEAAWKNA model under specific testing conditions, based on the power consumption of Fast Cooling mode vs. WindFree™ Cooling mode.

**SmartThings**

Air conditioner control

Energy consumption monitoring

### Smart Control

Control the temperature in any room, anytime and anywhere. Temperatures can be managed remotely using the SmartThings App<sup>1</sup>. With just a simple touch you can turn it on and off, select the cooling mode, schedule its operation, group devices or monitor the power consumption. With the optional Wi-Fi Kit, the different aspects of the system with up to 16 connectible indoor units can be controlled via smartphone. The geofencing functionality allows the room temperature to be automatically set at the desired level when the user approaches within a preset distance from the building.

<sup>1</sup> A Wi-Fi connection and Samsung SmartThings application account are required. Wi-Fi Kit to be ordered separately. Requires iOS 10.0 or later & Android 5.0 or later. Additional requirements may be needed to apply SmartThings for medium-sized to large commercial buildings. For details contact a Samsung representative.

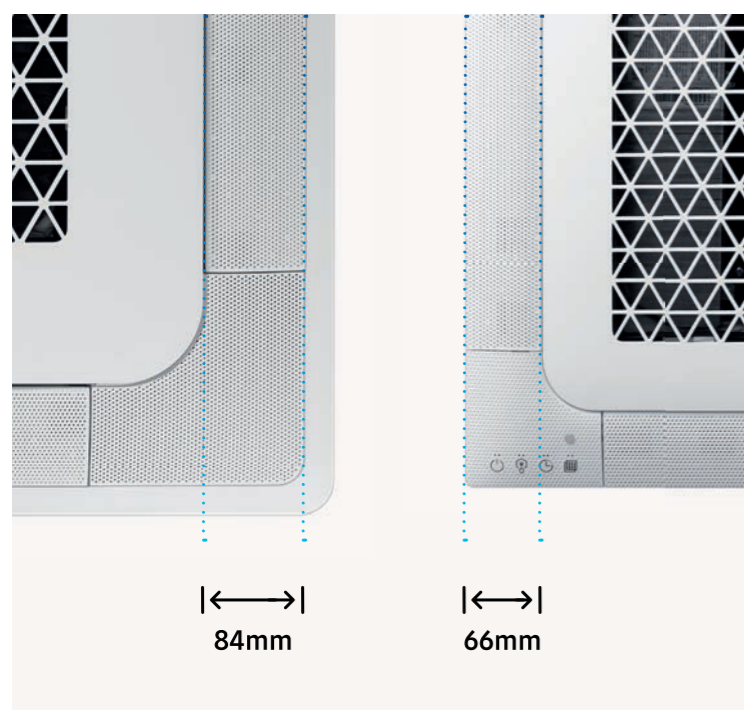
# Innovations in detail

## WindFree™ 4-Way Cassette

### WindFree™ Technology

The WindFree™ 4-Way Cassette directs air through 15,700 micro-holes in the panel, while the WindFree™ 4-Way 600 x 600 Cassette directs air through 9,000 micro-holes in the panel. These micro-holes are essential for creating a type of airflow called "Still Air"<sup>1</sup> which cools the room gradually and noticeably without drafts.

<sup>1</sup> ASHRAE (American Society of Heating, Refrigeration, and Air-Conditioning Engineers) defines "Still Air" as air currents at speeds below 0.15 m/s which lacks the presence of cold drafts.

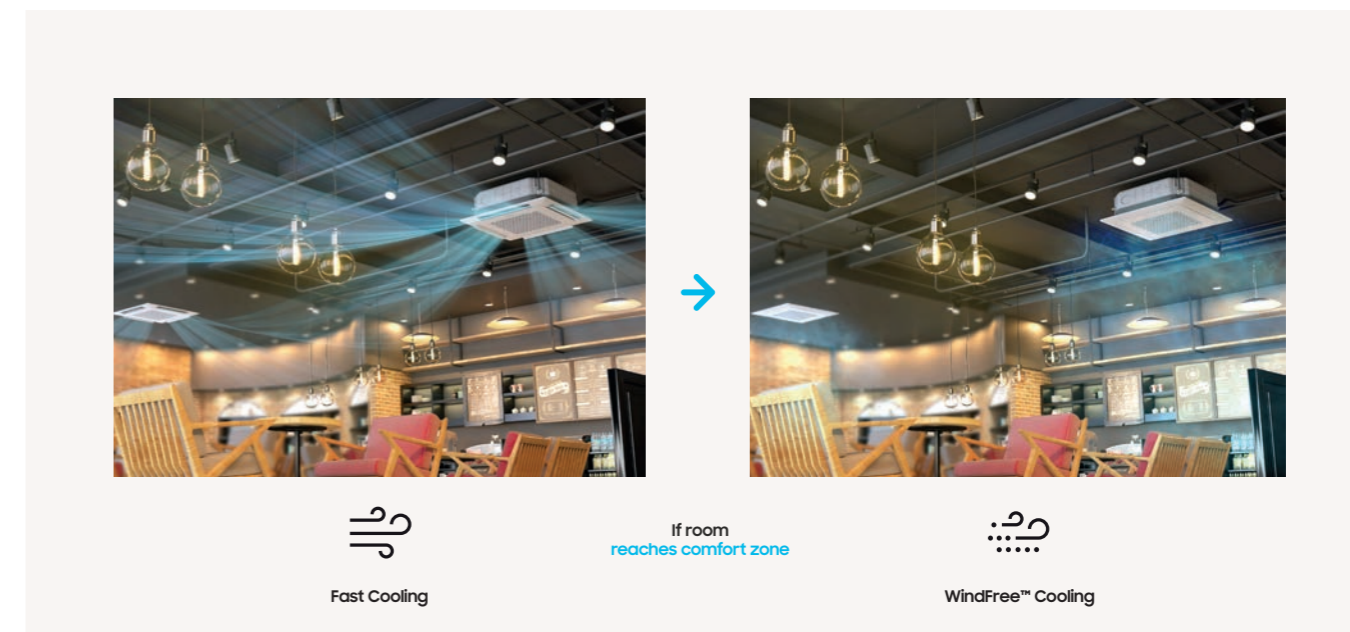


Not all features are available for all models.

### Optimised blades

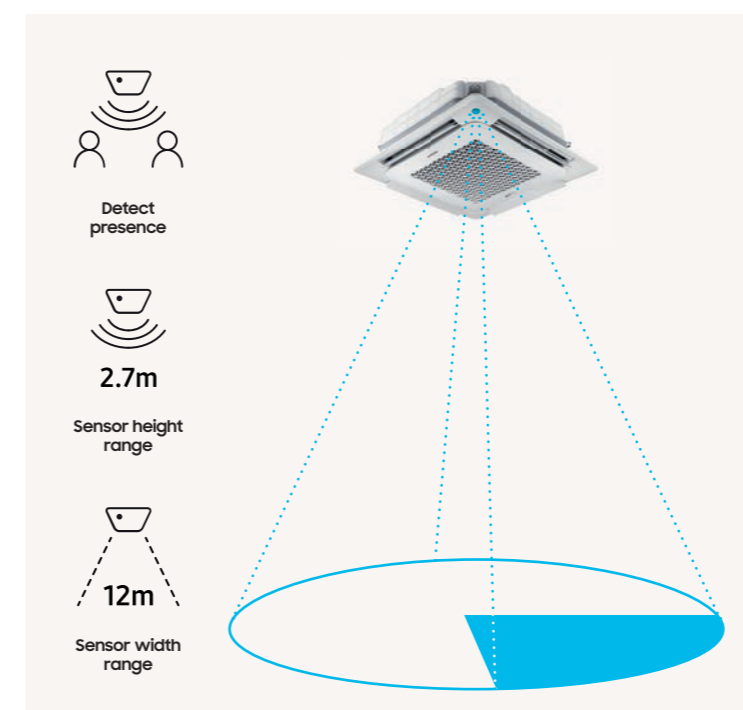
The larger optimised blades<sup>1</sup> (84 mm WindFree™ 4-Way Cassette, 66 mm WindFree™ 4-Way 600 x 600 Cassette) facilitate a wider cooling range and improved air circulation within the room. This advanced technology also cools the space much faster leaving no zone untouched. These blades are detachable and can be washed easily with water to remove dust or debris that has collected on them, therefore allowing for optimal quality of airflow that in turn helps maintain a clean environment.

<sup>1</sup> Samsung testing compares the WindFree™ 4-Way and WindFree™ 4-Way 600 x 600 Cassette to a conventional 4-Way Cassette type air conditioner.



### Smart Comfort Operation

The WindFree™ 4-Way Cassette and the WindFree™ 4-Way 600 x 600 Cassette boosts Smart Comfort Operation. The Fast Cooling process helps to achieve the desired temperature in a room quickly. By simultaneously detecting the humidity levels, the Smart Comfort Operation feature maintains the room's temperature automatically.



### Motion Detect Sensor (optional)

The improved Motion Detect Sensor (MDS) detects the presence and location of people in the room, enabling automatic management of airflow direction and efficient air cooling.

Not all features are available for all models.

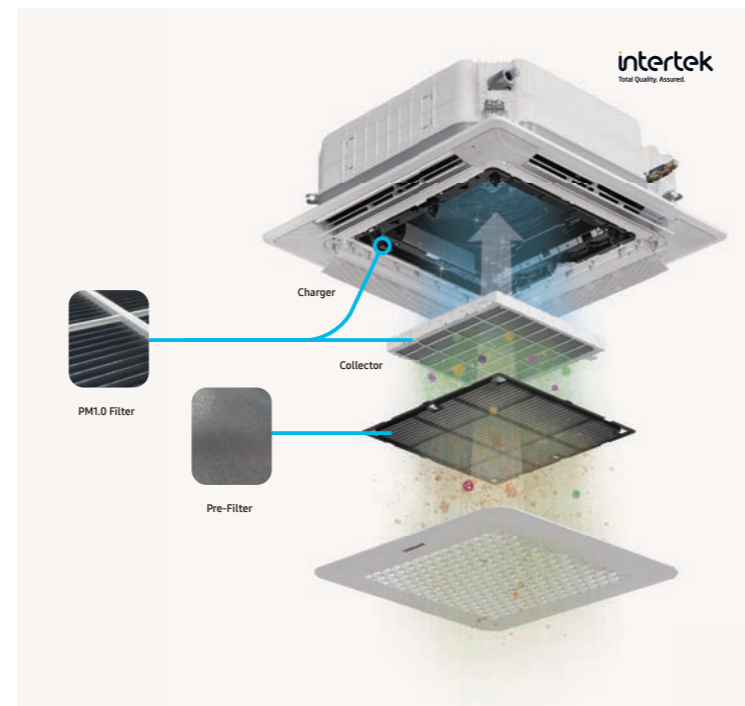
# Innovations in detail

## WindFree™ 4-Way Cassette

### Air Purification Panel

The Air Purification Panels in the WindFree™ 4-Way Cassette contain two types of filters to enhance the mitigation of Particulate Matter (PM), aimed to keep the indoor air clean all day long. The WindFree™ 4-Way Cassette is made of a two filter purification system the Pre-Filter and the PM1.0 Filter. The Pre-Filter captures larger dust particles, stopping them from entering the air conditioning unit.

The PM1.0 Filter<sup>1</sup> not only effectively captures ultrafine dust upto 0.3 µm but also inactivates certain types of bacteria that are captured, using an electrostatic precipitator. It has two main parts that charge and collect certain types of dust and bacteria<sup>1</sup>. The brush discharger generates negative ions. And these give certain dust particles and bacteria<sup>1</sup> a negative charge, so they become strongly attached to the ground electrode due to the electrostatic force of the collector. An added advantage is that this filter is also semi washable, thus saving the purchase and maintenance cost of replacing the filter.



intertek  
Total Quality Assured

<sup>1</sup> Intertek Report No.: RT20E-S0010-R Date: APR. 17, 2020 (Revised) Based on the data collected the Hypothesis is accepted: The K-element (Electrostatic Precipitator) of Samsung Electronics can sterilize the certain types of bacteria that collected on the filter. (Escherichia coli : above 99 %, Staphylococcus aureus : above 99 %)



Not all features are available for all models.

### Auto Elevation Panel

The cleaning of filters is also an integral part of maintaining good indoor air quality, and elevation panels can make this process easier.

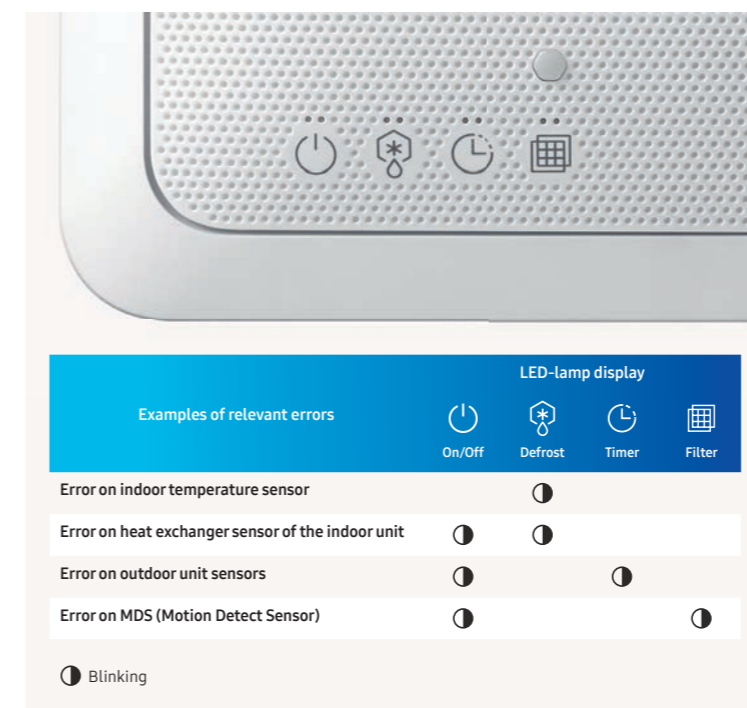
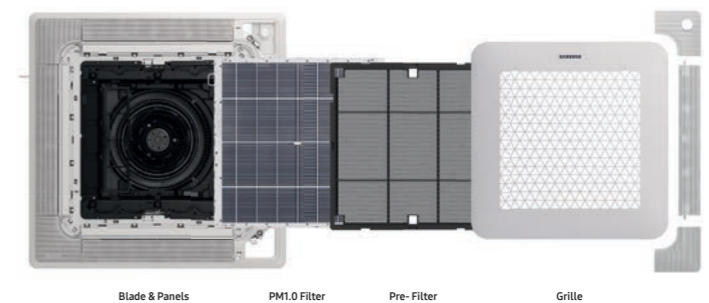
An Auto Elevation Panel is a panel that provides quick and comfortable access to dust filters for cleaning, facilitating extra convenience with the 4 metre<sup>1</sup> elevation advantage with a single remote click. Thus, a ladder is no longer required when cleaning panels. This makes it easier and safer for end users or service engineers to access filters for cleaning.

<sup>1</sup> May vary based on the actual usage conditions.

### Detachable Washable Parts

The cleanliness of the exterior, as well as the filters, is very important for 4-Way Cassettes that are widely used in commercial spaces. The panels and filters of the WindFree™ 4-Way Cassette are very easy to remove and clean without screws.

One can pull the hook inside the panel grille (near the Samsung logo) to open and remove it. And the corner panels and blades can be easily separated when pulled downwards. All of the exterior parts can be cleaned with a soft brush or cloth. You can also use a vacuum or water to clean the internal filter, so you don't need to keep purchasing new filters.



### Self-Diagnosis

The WindFree™ 4-Way Cassette's Self-Diagnosis function alerts you to malfunctions straight away. It means that you can quickly arrange a service repair visit. And an error code and LED light enable engineers to easily identify the cause of any failure, helping to reduce the time it takes to diagnose and fix the problem.

Not all features are available for all models.

# Innovations in detail



## WindFree™ 1-Way Cassette

### WindFree™ Technology

The WindFree™ 1-Way Cassette uses WindFree™ Cooling and directs air through tiny holes in the panel, dispersing a gentle flow of air. These 13,000 micro-holes are essential for creating a type of airflow called "Still Air"<sup>1</sup>, which cools the room gradually and noticeably without drafts.

<sup>1</sup> ASHRAE (the American Society of Heating, Refrigeration, and Air-Conditioning Engineers) defines "Still Air" as air currents moving at speeds below 0.15 m/s, with no cold drafts.



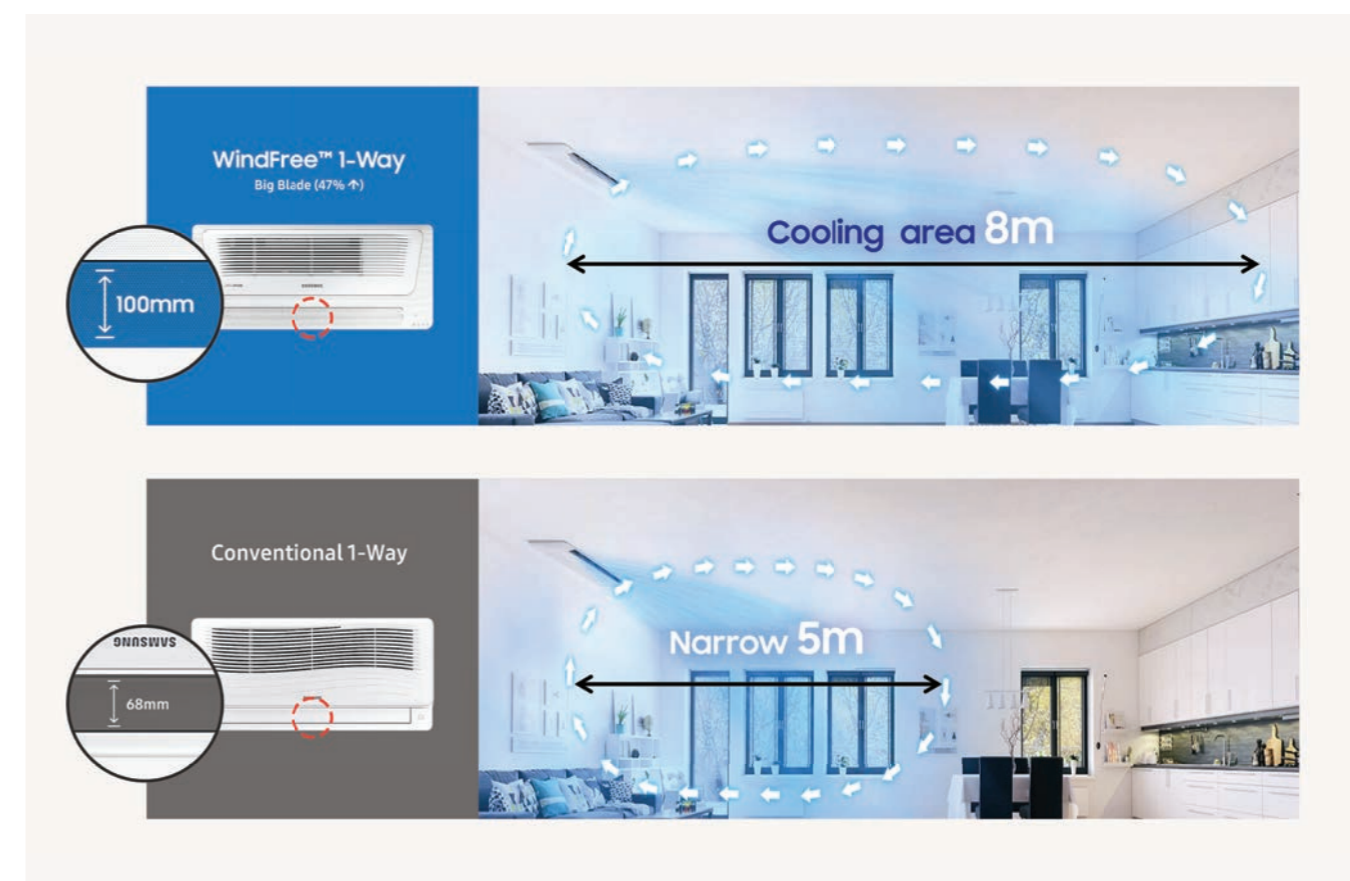
Not all features are available for all models.

### Slim installation

At a height of only 135 mm<sup>1</sup>, the WindFree™ 1-Way Cassette is a compact and lightweight device (8–13.5 kg). This slim design makes it not only visually pleasing but also easier to install and maintain, and it can be fitted into small gaps or ceilings.

<sup>1</sup> 135 mm is the height of the unit until the ceiling tile, 145 mm is the height including the ceiling tile. Up to 2.5 kW and 3.6 kW (FJM and CAC) models measures 135 mm (180 mm including panel).

### Wider cooling range



The larger optimised blade is 100 mm<sup>1</sup> and works to cool a larger area much faster. Its sleek design can deliver cool air efficiently, rapidly and evenly over an area of up to 8 m<sup>2</sup> leaving no zone untouched.

<sup>1</sup> Samsung testing compares the WindFree™ 1-Way Cassette to a conventional 1-Way Cassette-type air conditioner.  
<sup>2</sup> Based on the 71 kW indoor unit.

Not all features are available for all models.

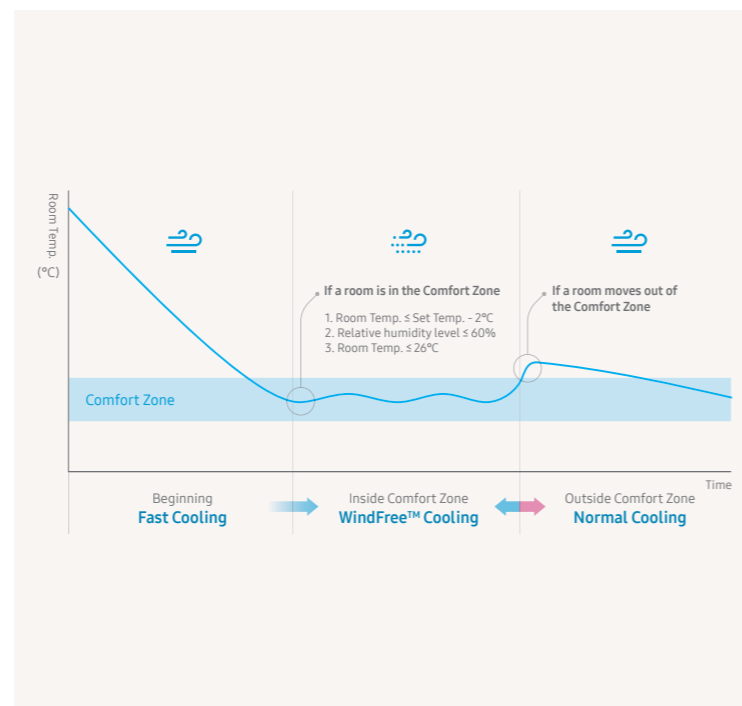
# Innovations in detail

## WindFree™ 1-Way Cassette

### Smart Comfort Operation

The WindFree™ 1-Way Cassette has a humidity sensor as well as a temperature sensor. It continually monitors both the temperature and relative humidity<sup>1</sup> and analyzes the room conditions. It then automatically switches between operating modes to keep everyone feeling really comfortable without the need for any manual control.

<sup>1</sup> The humidity level will only be shown during WindFree™ operation and Dry Mode via the SmartThings app display.



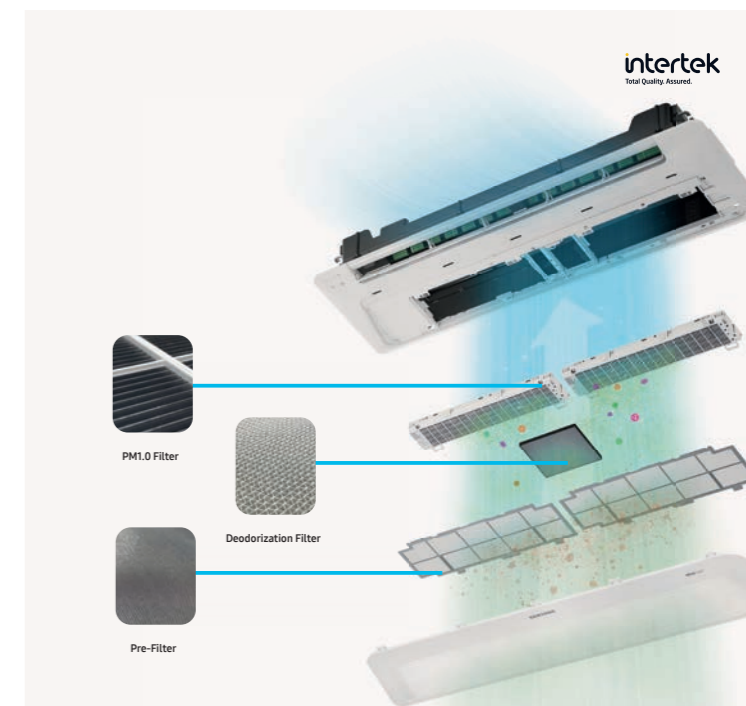
### Air Purification Panel

The Air Purification Panels in the WindFree™ 1-Way Cassette contain three types of filters to enhance the mitigation of Particulate Matter, aimed to keep the indoor air clean all day long. The WindFree™ 1-Way Cassette is made of a three filter purification system the Pre-Filter, Deodorization Filter<sup>1</sup> and the PM1.0 Filter.

The Pre-Filter captures larger dust particles, stopping them from entering the air conditioning unit. The deodorization filter captures certain unpleasant odours. The PM1.0 Filter not only effectively captures ultrafine dust upto 0.3  $\mu\text{m}$  but also inactivates certain types of bacteria that are captured, using an electrostatic precipitator. It has two main parts that charge and collect certain types of dust and bacteria.<sup>2</sup> The brush discharger generates negative ions. These give the dust particles and certain types of bacteria a negative charge, so they become strongly attached to the ground electrode due to the electrostatic force of the collector. An added advantage is that this filter is also semi washable, thus saving the purchase and maintenance cost of replacing the filter.

<sup>1</sup> The Deodorization Filter can only be found in WindFree™ 1-Way Cassette.

<sup>2</sup> Intertek Report No.: RT20E-S0010-R  
Date: APR. 17, 2020 (Revised) Based on the data collected the Hypothesis is accepted: The K-element (Electrostatic Precipitator) of Samsung Electronics can sterilize the certain types of bacteria that collected on the filter. (Escherichia coli : above 99 %, Staphylococcus aureus : above 99 %)



Not all features are available for all models.

### Easy Maintenance

The Samsung WindFree™ 1-Way Cassette requires no duct work. You simply need to regularly clean the built-in filter with water, after removing it from your air conditioner.

Not all features are available for all models.

# Innovations in detail

## 360 Cassette

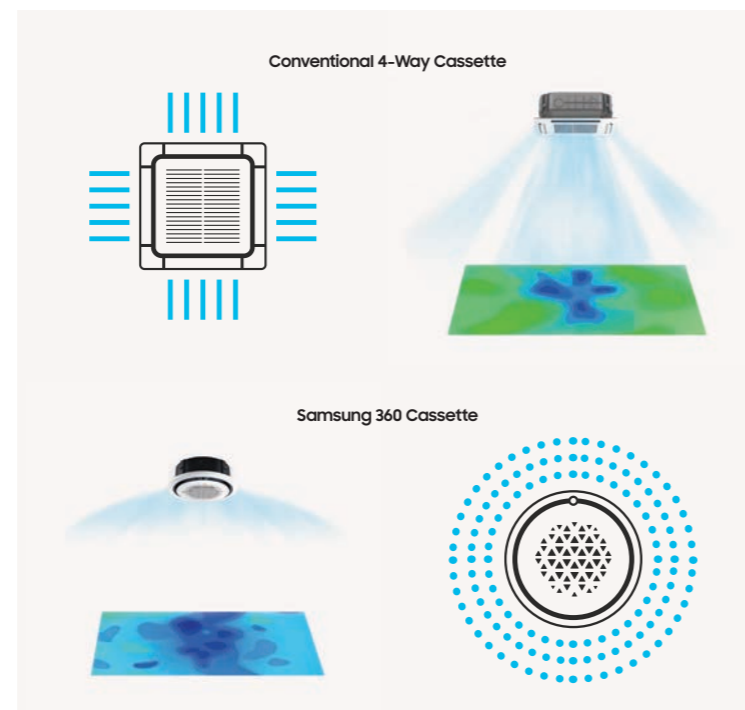
### Circular airflow

Unlike traditional 4-Way Cassette units<sup>1</sup>, which create areas of uneven airflow<sup>2</sup>, the 360 Cassette reaches every single corner of a room or space. Its circular outlet blows cool air in every direction. The bladeless design keeps things comfortably cool without creating a cold draft<sup>3</sup>, and without blades blocking the airflow it sends 25 % more air even further<sup>1</sup>.

<sup>1</sup> Samsung testing compares the 360 Cassette to a conventional 4-Way Cassette type air conditioner.

<sup>2</sup> The temperature difference is less than 0.6 °C within a 9.3 m radius.

<sup>3</sup> No cold draft between 0–1.5 m in height (with a 14.0 kW indoor unit) within a 5 m radius.



Not all features are available for all models.

### Airflow Control

The air supply is easily adjusted without the use of flaps. Three booster fans work to alter the direction of airflow from within the cassette's hollow space. A rain-like distribution of the air (known as the 'coanda' effect) keeps the room cool and comfortable at all times. The innovative technology overcomes the usual limits of the conventional outlets that use blades, as they obstruct the air at low angles and cause a significant low airflow<sup>1</sup>. The Motion Detector Sensor (MDS) is available for the 360 Cassette.

<sup>1</sup> Based on internal testing compared to a general 4-Way Cassette air conditioner.



### Circular LED display

The unit features a stylish panel and an intuitive Circular LED display, which allows users to choose or adjust the direction of the airflow with an intuitive wireless (jog shuttle) wireless remote controller. Besides the LED Display also monitors other essential operating information, such as the filter the air flow direction, filter status and any errors. So, with just one glance, you can quickly tell where the air is going and how your 360 Cassette is performing.



### Stylish design

The 360 Cassette has an innovative circular design that enables it to match a multitude of interior designs, that adds a touch of style to any room. Its minimalist and elegant styling can help to create a sophisticated and distinctive look in many different sites. With a circular panel, it can fit into a very tiny ceiling space of just 225 mm<sup>1</sup>, so it gives you much greater flexibility as it can be installed in a wider choice of locations. The 360 Cassette is available in black or white, in a square or circular design, and can be fitted within the ceiling or exposed on any material.

<sup>1</sup> The minimum installation height of ceiling space may vary depending on the panel design - circular or square type. Square type panels require 30 mm more height in a ceiling space than circular type panel.

Not all features are available for all models.

# Innovations in detail

## 360 Cassette

### Air Purification Panel

The Samsung 360 Cassette offers an Purifying Panel that keeps the indoor air fresh and clean. It is made of a two filter purification system the pre-filter and the PM1.0 Filter and has a superior filter mesh with 0.5 mm holes, which is 20 % denser than a vinyl chloride type filter.

The Pre-Filter captures larger dust particles, stopping them from entering the air conditioning unit. The PM1.0 Filter is not only effective at capturing ultrafine dust of up to 0.3  $\mu\text{m}$  in size, but it also sterilizes up to 99 % of certain types of bacteria<sup>1</sup> trapped by the filter using an electrostatic precipitator<sup>1</sup>.

<sup>1</sup> Verified by Intertek, Report Number RT20E-S0010-R, Issue Date:17 April 2020 .  
The K-element (Electrostatic Precipitator) of Samsung Electronics can sterilize certain types of bacteria that collected on the filter (Escherichia coli: above 99 %, Staphylococcus aureus: above 99 %).



Not all features are available for all models.

### Auto Elevation Panel

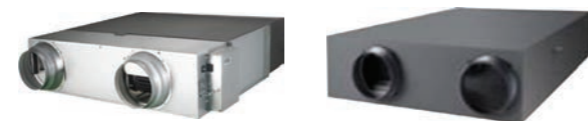
The cleaning of filters is also an integral part of maintaining good indoor air quality, and elevation panels can make this process easier.

An Auto Elevation Panel is a panel that provides quick and comfortable access to dust filters for cleaning, facilitating extra convenience with the 4.5 metre<sup>1</sup> elevation advantage with a single remote click. Thus, a ladder is no longer required when cleaning panels. This makes it easier and safer for end users or service engineers to access filters for cleaning.

<sup>1</sup> May vary based on the actual usage conditions.



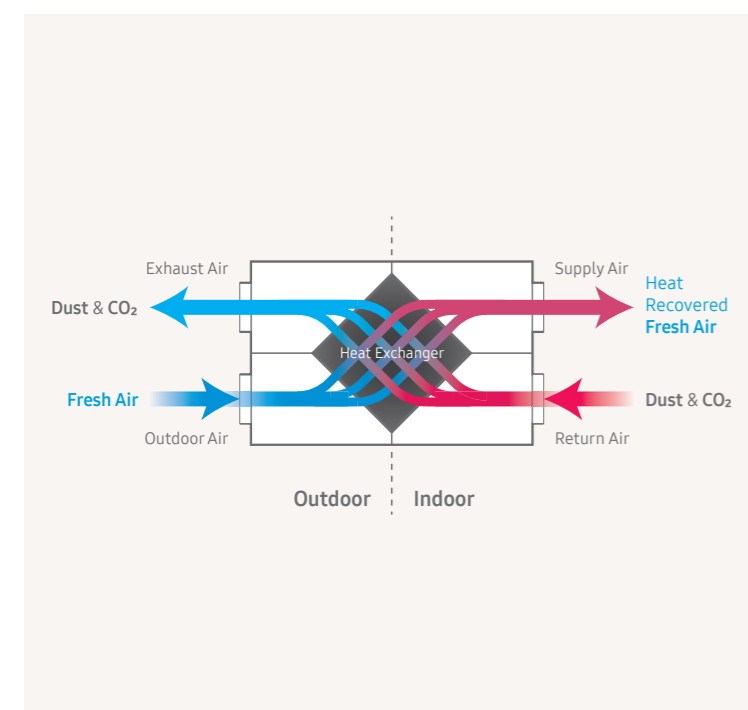
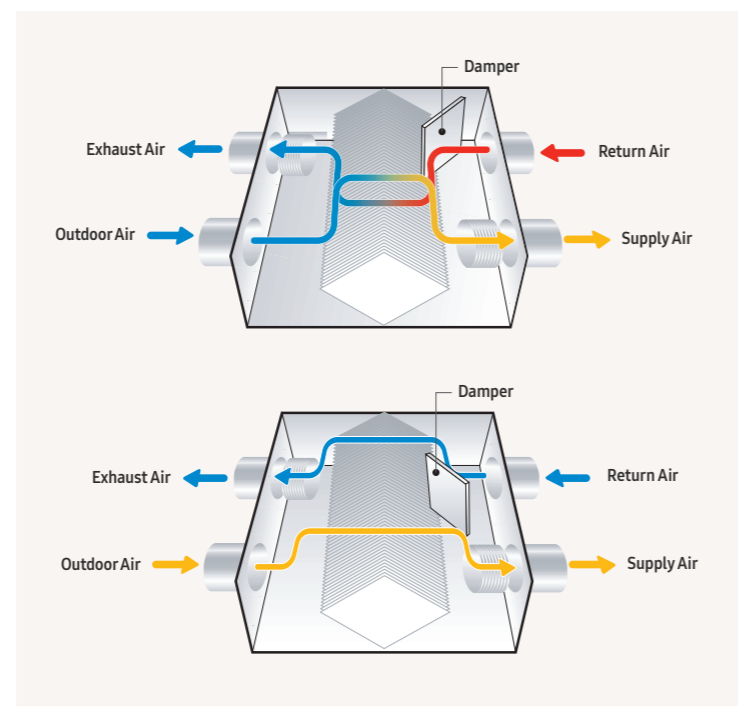
# Innovations in detail



## ERV (Plus)

### Smart cooling - auto mode

To conserve energy and remain cost-effective, the ERV and ERV Plus (for DVM) both automatically change operation modes depending on the indoor and outdoor temperatures. The ERV Plus (DVM only) is equipped with a direct expansion coil, which brings fresh outside air through the DX coil and into your space. It heats or cools, and can keep rooms at your desired temperature.



### Instantly reduces CO<sub>2</sub> in your room.

The ERV sends fresh air into a room automatically by detecting CO<sub>2</sub> with the CO<sub>2</sub> sensor<sup>1</sup>. Instantly reduces CO<sub>2</sub> in hour room. The ERV indoor unit has a CO<sub>2</sub> Sensor<sup>1</sup> that detects the level of CO<sub>2</sub> in the air and instantly draws in more outdoor air to maintain a comfortable environment.

<sup>1</sup> Optional

## Air Handling Unit (AHU) Kit

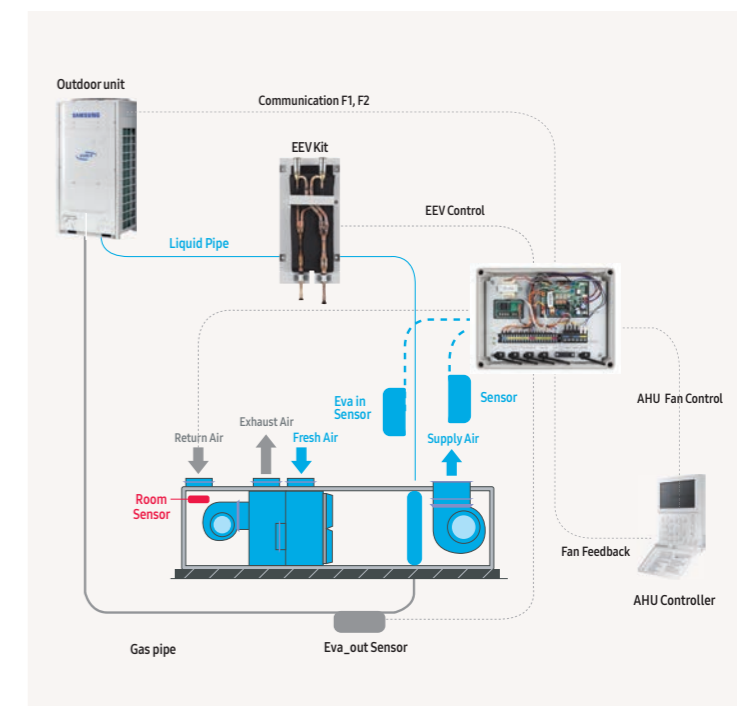
### Connect to third-party air handling units

The Samsung AHU kit allows the connection of DVM S outdoor units to third-party air handling units (AHUs)<sup>1</sup>. With this kit you can supply heating or cooling to a DX coil in the AHU. This is a cost-efficient and effective way to provide fresh air to the building at the correct temperature. The unit improves performance and efficiency and is cost-effective.

#### Features include:

- IP54 waterproof certification (for MXD type AHU kit only)
- Variable capacity
- 2.5 hp–40 hp
- Simple BMS application (0–10 V, MXD-K/X Series)
- Discharge air temperature control and outdoor capacity control

<sup>1</sup> Please contact your local Samsung representative for more information.





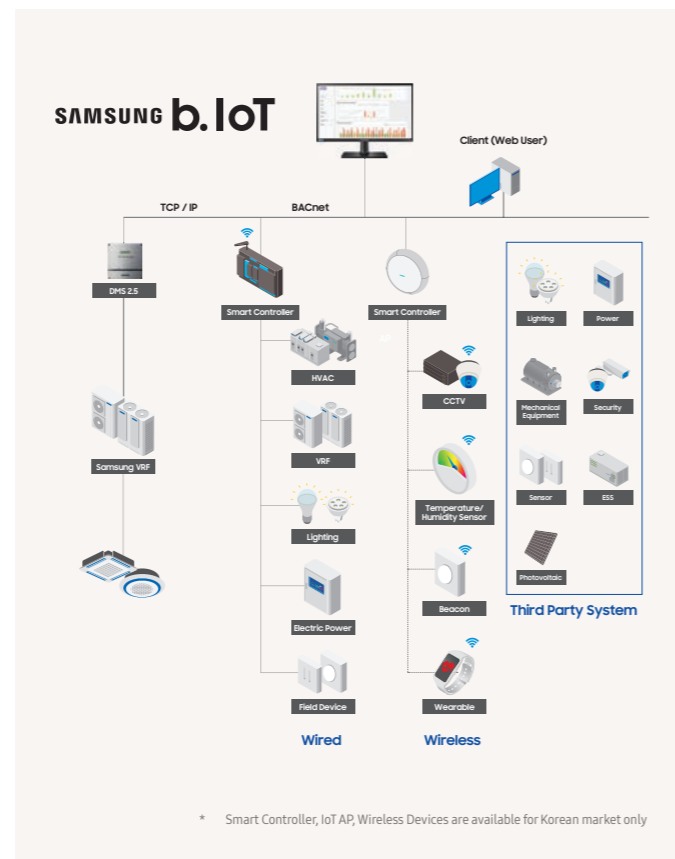
# Innovations in detail

## b.IoT

Samsung b.IoT (building Internet of Things) is a building management solution that can efficiently manage and save energy. It is an open platform with expandability and compatibility options that enable integrated control of the facility's major systems, such as VRF and third-party devices via BACnet interface.

### Samsung b.IoT helps to ensure:

- Efficient installation periods
- Reductions in installation and operation costs
- Optimal energy efficiency
- Efficient management of integrated systems installed in the building - VRF



### Samsung b.IoT provides:



### Open platform

- Supports Open Protocol (BACnet) and API for integration of various devices
- Integrates various sensors and devices wirelessly via IoT gateway

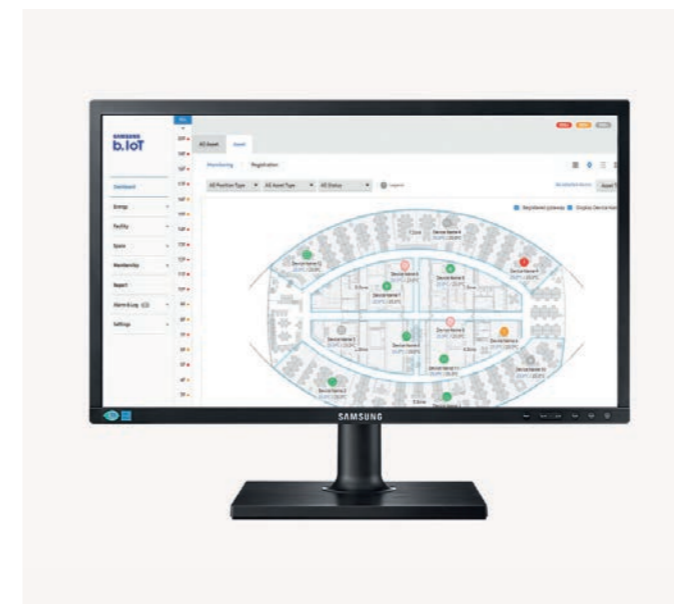
### Easy and smart operation

- Optimal operation for Samsung VRF (DVM) products
- Intuitive Graphic UI & convenient rules editor for various solutions
- Trends & alarm lookup



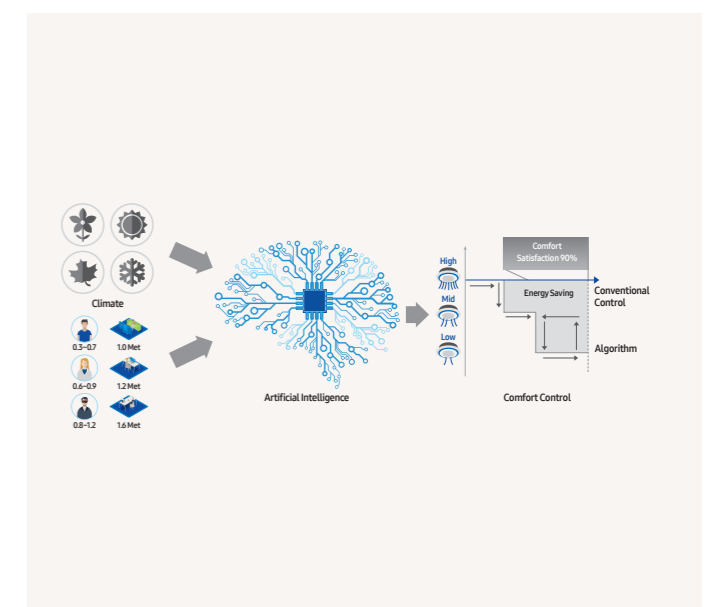
### Effective energy usage management

- Energy usage analysis
- Hybrid (HVAC+VRF) energy consumption distribution



### Intelligent energy saving algorithms








- Data-Based Comfort Control – Comfort based on user-specific algorithms
- Learning-Based Control – Optimised control by artificial intelligence (AI)
- Occupancy-Based Control – Lighting, humidity & temperature
- Inefficient Operation Detection – Time, space & temperature



# VRF



# Line-up outdoor

Model	Image	Capacity (hp)															
		4	5	6	8	10	12	14	16	18	20	22	24	26	30		
Heat Pump	DVM S Eco Heat Pump		•	•		•	•	•	•								
	DVM S2 Essential Heat Pump (2-Pipe)							•	•	•	•	•					
	DVM S2 Standard Heat Pump (2-Pipe)						•	•	•	•	•	•	•	•	•	•	
	DVM S2 High Efficiency Heat Pump (2-Pipe)						•	•	•	•	•	•	•	•	•	•	
Heat Recovery	DVM S Eco Heat Recovery (With Heat Recovery Changer Kit)		•	•	•												
	DVM S2 High Efficiency Heat Recovery (3-Pipe)						•	•	•	•	•	•	•	•	•	•	
Water to Air/Water	DVM S Water						•	•	•				•				•







# Selection guide

Heat Pump



Model	DVM S Eco		DVM S2 Essential	DVM S2 Standard	DVM S2 High Efficiency
	AM***KXMDEH/EU AM***MXMDEH/EU	AM***FXMDGH/EU AM***KXMDGH/EU	AM***AXVDGH/EU	AM***AXVAGH/EU	AM***AXVGGH/EU
Type	Heat Pump				
	Heat Recovery				
Capacity range	4-8 hp	6-14 hp	10-40 hp	8-98 hp	8-98 hp
Connectability	WindFree™ Cassette	•	•	•	•
	360 Cassette	•	•	•	•
	LSP Duct	•	•	•	•
	MSP Duct	•	•	•	•
	HSP Duct	•	•	•	•
	Wall-Mounted	•	•	•	•
	Floor-Standing/Concealed/Ceiling	•	•	•	•
	ERV Plus	•	•	•	•
	Hydro unit HE/HT	•	•	•	•
	MCU Kit	•	•	•	•
	AHU Kit	•	•	•	•
Features	Refrigerant check mode	•	•	•	•
	Simultaneous cooling and heating	•	•	•	•
	7-Segment display	•	•	•	•
	Four-way direction piping connection	•	•	•	•
	Advanced Flash Injection™	•	•	•	•
	Cooling @ 50°C	•	•	•	•
	Heating @ -25 °C	•	•	•	•
	Max. External Static Pressure 110Pa <sup>2</sup>	•	•	•	•
	Improved fan diffuser	•	•	•	•
	Reduced air flow noise	•	•	•	•
	Leak detection (pump down function)	•	•	•	•
	Night silent mode	•	•	•	•
	Variable Refrigerant Temperature	•	•	•	•
	Inverter scroll compressor	•	•	•	•
	Twin BLDC rotary compressor	•	•	•	•
	DC fan motor	•	•	•	•
	Multi-serration Fan <sup>2</sup>	•	•	•	•
	Active AI Pressure Control	•	•	•	•
	Active AI Defrost	•	•	•	•
	Active AI Refrigerant Analysis	•	•	•	•
On-device Inverter Checker™	•	•	•	•	
Durafin™ Ultra Heat Exchanger Fin	•	•	•	•	
Slimmer Liquid Line <sup>3</sup>	•	•	•	•	
Refrigerant type	R410A	R410A	R410A	R410A	R410A
Smart Protection Technology	Adaptive Sine Wave	•	•	•	•
	Refrigerant cooled PCB	•	•	•	•
	Resonance Avoidance Technology	•	•	•	•

Heat Recovery



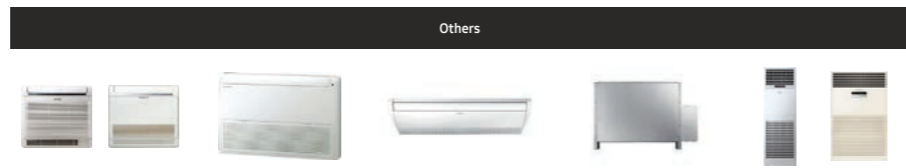
Model	DVM S Eco	DVM S2 High Efficiency	DVM S Water
	AM***NXMDER/EU AM***NXMDGR/EU	AM***AXVGGH/EU	AM***MXWANR/EU AM***KXWANR/EU
Type	Heat Recovery		
Capacity range	4-6 hp	8-98 hp	8-90 hp
Connectability	WindFree™ Cassette	•	•
	360 Cassette	•	•
	LSP Duct	•	•
	MSP Duct	•	•
	HSP Duct	•	•
	Wall-Mounted	•	•
	Floor-Standing/Concealed/Ceiling	•	•
	ERV Plus	•	•
	Hydro unit HE/HT	•	•
	MCU Kit	•	•
	AHU Kit	•	•
Features	Refrigerant check mode	•	•
	Simultaneous cooling and heating	•	•
	7-Segment display	•	•
	Four-way direction piping connection	•	•
	Advanced Flash Injection™	•	•
	Cooling @ 50°C	•	•
	Heating @ -25 °C	•	•
	Max. External Static Pressure 110Pa <sup>2</sup>	•	•
	Improved fan diffuser	•	•
	Reduced air flow noise	•	•
	Leak detection (pump down function)	•	•
	Night silent mode	•	•
	Variable Refrigerant Temperature	•	•
	Inverter scroll compressor	•	•
	Twin BLDC rotary compressor	•	•
	DC fan motor	•	•
	Multi-serration Fan <sup>2</sup>	•	•
	Active AI Pressure Control	•	•
	Active AI Defrost	•	•
	Active AI Refrigerant Analysis	•	•
On-device Inverter Checker™	•	•	
Durafin™ Ultra Heat Exchanger Fin	•	•	
Slimmer Liquid Line <sup>3</sup>	•	•	
Refrigerant type	R410A	R410A	R410A
Smart Protection Technology	Adaptive Sine Wave	•	•
	Refrigerant cooled PCB	•	•
	Resonance Avoidance Technology	•	•

<sup>1</sup> Can be connected as a 2-pipe system.  
<sup>2</sup> Model specific.  
<sup>3</sup> Optional.

# Selection guide



Model	WindFree™ 1-Way Cassette	WindFree™ 4-Way Cassette	360 Cassette
Airflow	WindFree™ Cooling	•	•
	360 Degree Air Supply		•
Air Purification	SPI Kit		Optional
	Air Filter	•	•
Functions	Compatible with Samsung SmartThings	•	•
	Compatible with Wi-Fi Kit	•	•
	Humidity Sensor	•	•
	MDS (Motion Detect Sensor)		Optional
	Automatic ESP Setting		Optional
	Quiet Mode	•	•
Controls	Wireless remote controller included		
Others	EEV included	•	•
	Built-In Drain Pump	•	•



Model	Console	Floor/Ceiling	Big Ceiling	Concealed Floor-Standing	Packaged Floor-Standing
Airflow	WindFree™ Cooling				
	360 Degree Air Supply				
Air Purification	SPI Kit	•		Optional	
	Air Filter	•	•	•	•
Functions	Compatible with Samsung SmartThings	•	•	•	•
	Compatible with Wi-Fi Kit	•	•	•	•
	Humidity Sensor				
	MDS (Motion Detect Sensor)				
	Automatic ESP Setting				
	Quiet Mode				•
Controls	Wireless remote controller included	•			
Others	EEV included	•	•	•	•
	Built-In Drain Pump				



	LSP Duct	MSP Duct	HSP Duct
		Optional	Model-specific
	•	•	•
	•	•	•
	•	•	•
		•	Model-specific
	•	•	•
	Model-specific	•	Model-specific



	Hydro Unit HE	Hydro Unit HT
	•	•



	Boracay Wall-Mounted	WindFree™ Deluxe	Max Wall-Mounted
		•	
	•	•	•
	•	•	•
	•	•	•
		•	
	Model-specific	Model-specific <sup>1</sup>	•

<sup>1</sup>EEV kit is necessary for all Indoor Units which do not have EEV kit included, please order EEV Kit separately.





# Nomenclature

## Indoor units

AM 045 A N 4 D E H  
1 2 3 4 5 6 7 8

1	Classification	AM	VRF (DVM)		
		AN	Ventilation (ERV)		
2	Capacity	x1/10 kW (3 digits)			
3	Version	F	2013		
		H	2014		
		J	2015		
		K	2016		
		M	2017		
		N	2018		
		R	2019		
		T	2020		
		A	2021		
		4	Product Type	N	Indoor Unit (NASA)
S	ERV				
5	Product Notation	"1"	WindFree™ 1-Way Cassette		
		"2"	2-Way Cassette		
		"4"	360 Cassette & WindFree™ 4-Way Cassette		
		N	WindFree™ 4-Way Cassette 600 x 600		
		L	Low Static Pressure Duct (Slim Duct)		
		M	Medium Static Pressure Duct		
		H	High Static Pressure Duct		
		E	Outdoor Air Processing Duct		
		C	Ceiling		
		J	Console		
		F	Floor-Standing		
		P	Packaged Floor-Standing		
		T	Boracay Wall-Mounted without EEV		
		Q	Boracay Wall-Mounted (EEV)		
		V	AR5000 Wall-Mounted (EEV)		
		B	Hydro Unit		
		K	ERV (Plus)		
		W	DVM S Water		
		6	Feature	F	Flagship
				P	Premium
D	Deluxe				
S	Standard				
7	Voltage Rating	E	1Φ, 220-240 V, 50 Hz		
		K	1Φ, 220-240 V, 50/60 Hz		
		G	3Φ, 220-240 V, 50 Hz		
8	Mode	H	Heat Pump (R410A)		
		B	Heat Pump (R134A)		
		N	ERV		

## Outdoor units

AM 080 A X V A G H  
1 2 3 4 5 6 7 8

1	Classification	AM	VRF (DVM)
2	Capacity	x1/10 hp (3 digits)	
3	Version	F	2013
		H	2014
		J	2015
		K	2016
		M	2017
		N	2018
		R	2019
		T	2020
		A	2021
		4	Product Type
5	Product Notation	V	DVM S2 Essential/Standard/High Efficiency
		W	DVM S Water
		M	DVM S Eco
6	Feature	A	Standard + General Temperature + Module
		H	High EER + Low Temperature + Module
		G	High EER + General Temperature + Module
		D	Standard + General Temperature + Non-Module
7	Voltage Rating	E	1Φ, 220-240 V, 50 Hz
		G	3Φ, 380-415 V, 50 Hz
		N	3Φ, 380-415 V, 50/60 Hz
8	Mode	H	Heat Pump
		R	Heat Recovery

# Specifications

## DVM S Eco Heat Pump

- Horizontal discharge and rear suction by means of one (4–5 hp) or two (8–14 hp) propeller BLDC Inverter fan(s).
- Each module houses one compressor: Twin BLDC Rotary (4–8 hp) or Inverter Scroll with Flash Injection technology (10–14 hp).
- Compressor micro frequency control with 0.01 Hz step.
- Night Silent Mode available.
- Eurovent certified and ErP (Ecodesign) compliant.
- Four-way direction piping connection.



Model			AM040KXMDGH/EU	AM050KXMDGH/EU	AM080MXMDGH/EU	
<b>Power Supply</b>		Φ, #, V, Hz	1Φ, 2, 220–240 V, 50 Hz	1Φ, 2, 220–240 V, 50 Hz	3Φ, 4, 380–415 V, 50 Hz	
<b>Performance</b>	Capacity	hp	4	5	8	
		Cooling	12.1	14.0	22.4	
	Heating	12.1	14.0	22.4		
	Maximum number of connectable indoor units	ea	6.0	8.0	13.0	
	Total capacity of the connected indoor units	Min.	5.6	7.0	11.2	
	Max.	15.7	18.2	29.1		
<b>Power</b>	Power Input	Cooling	3.60	4.00	6.90	
		Heating	2.90	3.40	5.80	
	Current Input	Cooling	17.50	19.50	11.70	
		Heating	14.00	16.50	9.50	
	Current	Minimum SSC value	MVA	-	-	3.4
		MCA	A	24.0	27.0	18.4
MFA		A	32	40	25	
<b>Energy Efficiency<sup>1</sup></b>	EER (Nominal Cooling)	W/W	3.36	3.50	3.25	
	COP (Nominal Heating)	W/W	4.17	4.12	3.86	
	SEER	W/W	7.25	6.71	7.46	
<b>Compressor</b>	Type	-	Twin BLDC Rotary	Twin BLDC Rotary	Twin BLDC Rotary	
	Output	kW × n	4.12 x 1	4.12 x 1	4.92 x 1	
	Oil	Type	-	PVE	PVE	PVE
	Initial Charge	cc	1,700	1,700	1,700	
<b>Fan</b>	Type & Discharge direction	-	Propeller	Propeller	Propeller	
		-	Horizontal	Horizontal	Horizontal	
	Number of Fans	ea	1	1	2	
	Airflow Rate	m <sup>3</sup> /min	64	70	135	
		l/s	1067	1167	2250	
	External Static Pressure	Max.	mmAq	3.00	3.00	3.00
Pa			29.40	29.40	29.40	
<b>Fan Motor</b>	Model	-	BLDC Motor	BLDC Motor	BLDC Motor	
	Output x n	W	125 x 1	139 x 1	139 x 2	
<b>Piping Connections</b>	Liquid Pipe	ø, mm	9.52	9.52	9.52	
		ø, inch	3/8	3/8	3/8	
	Gas Pipe	ø, mm	15.88	15.88	19.05	
		ø, inch	5/8	5/8	3/4	
	Piping length (ODU-IDU) <sup>3</sup>	Max. (Equiv.)	m	50 (65)	50 (65)	100 (130)
	Piping length (1st Branch - IDU) <sup>3</sup>	Max.	m	40	40	40
	Total piping length (System)	Max.	m	150	150	300
	Level Difference (Outdoor in highest position)	Max.	m	30	30	30
Level Difference (Indoor in highest position)	Max.	m	25	25	30	
Level Difference (IDU-IDU) <sup>3</sup>	Max.	m	15	15	30	
<b>Wiring Connections</b>	Communication	Min.	mm <sup>2</sup>	0.75	0.75	0.75
	Remark	-		F1, F2	F1, F2	F1, F2
<b>Refrigerant</b>	Type		R410A (Fluorinated greenhouse gas, GWP=2,088)			
	Factory Charging	kg / tCO <sub>2</sub> e	2.00/4.18	2.50/5.22	3.70/7.73	
<b>Sound</b>	Sound Pressure <sup>2</sup>	Cooling	dB(A)	52	55	59
		Heating	dB(A)	54	57	59
	Sound Power	dB(A)	73	75	77	
<b>External Dimensions</b>	Net Weight	kg	79.0	83.5	115.0	
	Net Dimensions (W x H x D)	mm	940 x 998 x 330	940 x 998 x 330	940 x 1,420 x 330	
<b>Operating Temperature Range</b>	Cooling	°C	-5.0–48.0	-5.0–48.0	-5.0–48.0	
	Heating	°C	-20.0–24.0	-20.0–24.0	-20.0–24.0	

	AM080FXMDGH/EU	AM100KXMDGH/EU	AM120KXMDGH/EU	AM140KXMDGH/EU
	3Φ, 4, 380–415 V, 50 Hz	3Φ, 4, 380–415 V, 50 Hz	3Φ, 4, 380–415 V, 50 Hz	3Φ, 4, 380–415 V, 50 Hz
	8	10	12	14
	22.4	28.0	33.5	40.0
	25.0	31.5	37.5	45.0
	13.0	18.0	21.0	26.0
	11.2	14.0	16.8	20.0
	29.1	36.4	43.6	52.0
	5.72	7.29	8.77	10.59
	4.88	6.74	7.81	9.88
	9.66	11.51	13.74	16.48
	8.24	10.58	12.23	15.55
	3.4	4.6	5.1	5.9
	18.0	21.5	23.5	32.0
	25	30	30	40
	3.92	3.84	3.82	3.78
	5.12	4.67	4.79	4.55
	9.22	7.09	6.94	6.83
	Inverter Scroll	Inverter Scroll	Inverter Scroll	Inverter Scroll
	4.96 x 1	5.18 x 1	6.39 x 1	6.76 x 1
	PVE	PVE	PVE	PVE
	2,800	2,300	2,300	2,300
	Propeller	Propeller	Propeller	Propeller
	Horizontal	Horizontal	Horizontal	Horizontal
	2	2	2	2
	135	165	166	180
	2250	2750	2766.67	3000
	3.00	3.00	3.00	3.00
	29.40	29.40	29.40	29.40
	BLDC Motor	BLDC Motor	BLDC Motor	BLDC Motor
	139 x 2	244 x 2	244 x 2	244 x 2
	9.52	9.52	12.7	12.7
	3/8	3/8	1/2	1/2
	19.05	22.22	28.58	28.58
	3/4	7/8	11/8	11/8
	100 (130)	160 (185)	160 (185)	160 (185)
	40	40	40	40
	300	300	300	300
	30	50	50	50
	30	40	40	40
	30	50	50	50
	0.75	0.75	0.75	0.75
	F1, F2	F1, F2	F1, F2	F1, F2
	R410A (Fluorinated greenhouse gas, GWP=2,088)			
	3.70/7.73	3.70/7.73	4.30/8.98	4.80/10.02
	56	58	59	62
	58	60	61	64
	74	74	76	79
	135.0	145.0	155.0	162.0
	940 x 1,420 x 330	940 x 1,630 x 460	940 x 1,630 x 460	940 x 1,630 x 460
	-5.0–48.0	-5.0–48.0	-5.0–52.0	-5.0–52.0
	-20.0–24.0	-25.0–24.0	-25.0–24.0	-25.0–24.0

<sup>1</sup>Performances are based on the following test conditions:  
 - Cooling: Indoor temperature: 27 °C DB, 19 °C WB, Outdoor temperature: 35 °C DB, 24 °C WB  
 - Heating: Indoor temperature: 20 °C DB, 15 °C WB, Outdoor temperature: 7 °C DB, 6 °C WB  
 - Equivalent refrigerant piping: 7.5 m, Level differences: 0 m

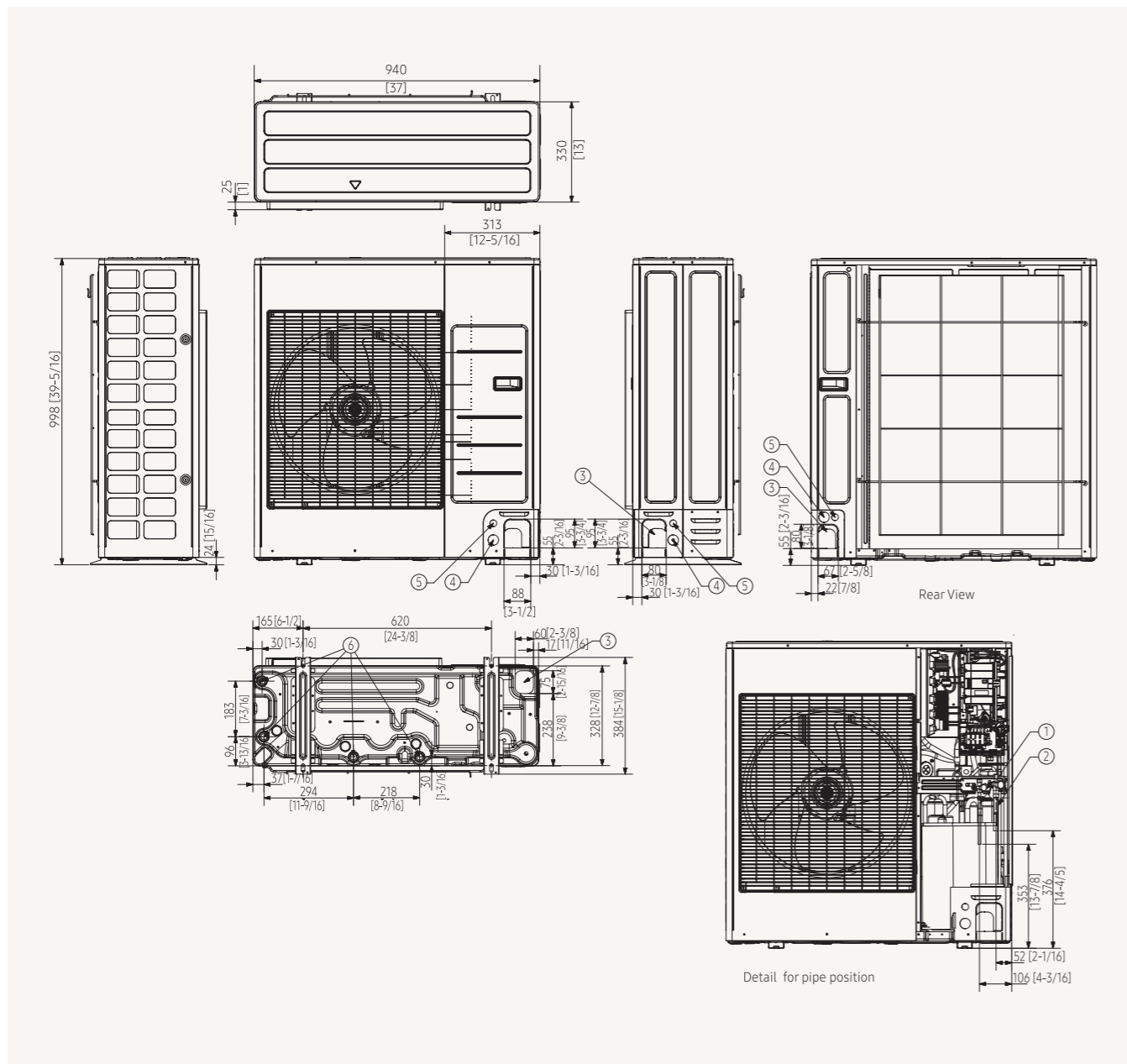
<sup>2</sup>Sound pressure level is obtained in an anechoic room. Sound pressure level is a relative value, depending on the distance and acoustic environment. Sound pressure level may differ according to operating conditions. Sound power level is an absolute value that a sound source generates.

<sup>3</sup>ODU: Outdoor Unit, IDU: Indoor Unit

# Dimensional drawings

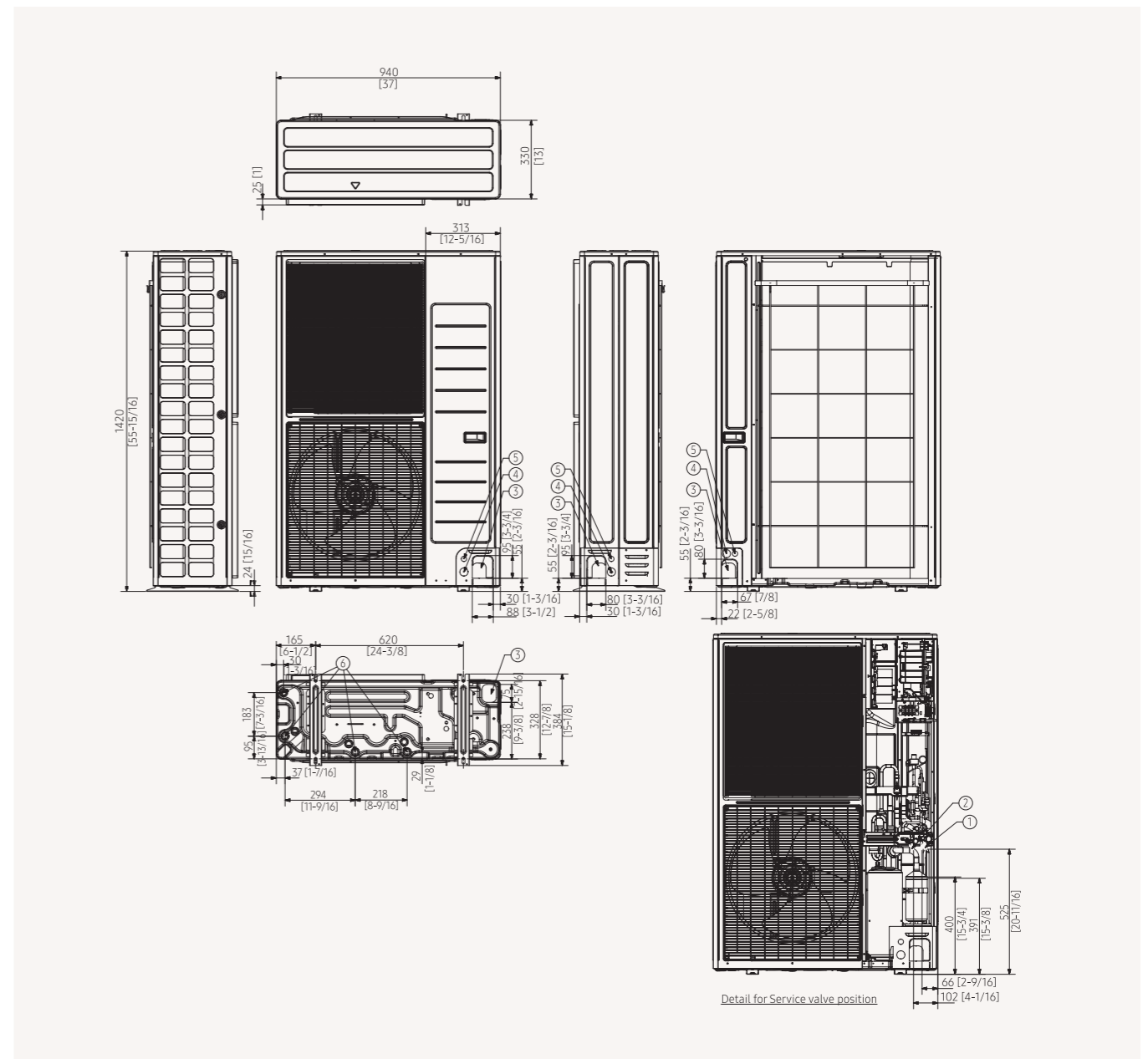
## DVM S Eco Heat Pump

AM040KXMDEH/EU, AM050KXMDEH/EU



NO	Name	Description
<b>4/5 hp</b>		
1	Refrigerant liquid pipe	ø9.52 (ø3/8)
2	Refrigerant gas pipe	ø15.88 (ø5/8)
3	Knock-out hole for pipe intake	Front/Side/Rear/Bottom
4	Power wiring conduits	Front/Side/Rear, ø34.00 (ø1 3/8)
5	Communication wiring conduits	Front/Side/Rear, ø22.00 (ø7/8)
6	Drain holes	Connect with the provided drain plug.

AM080\*XMDBGH/EU

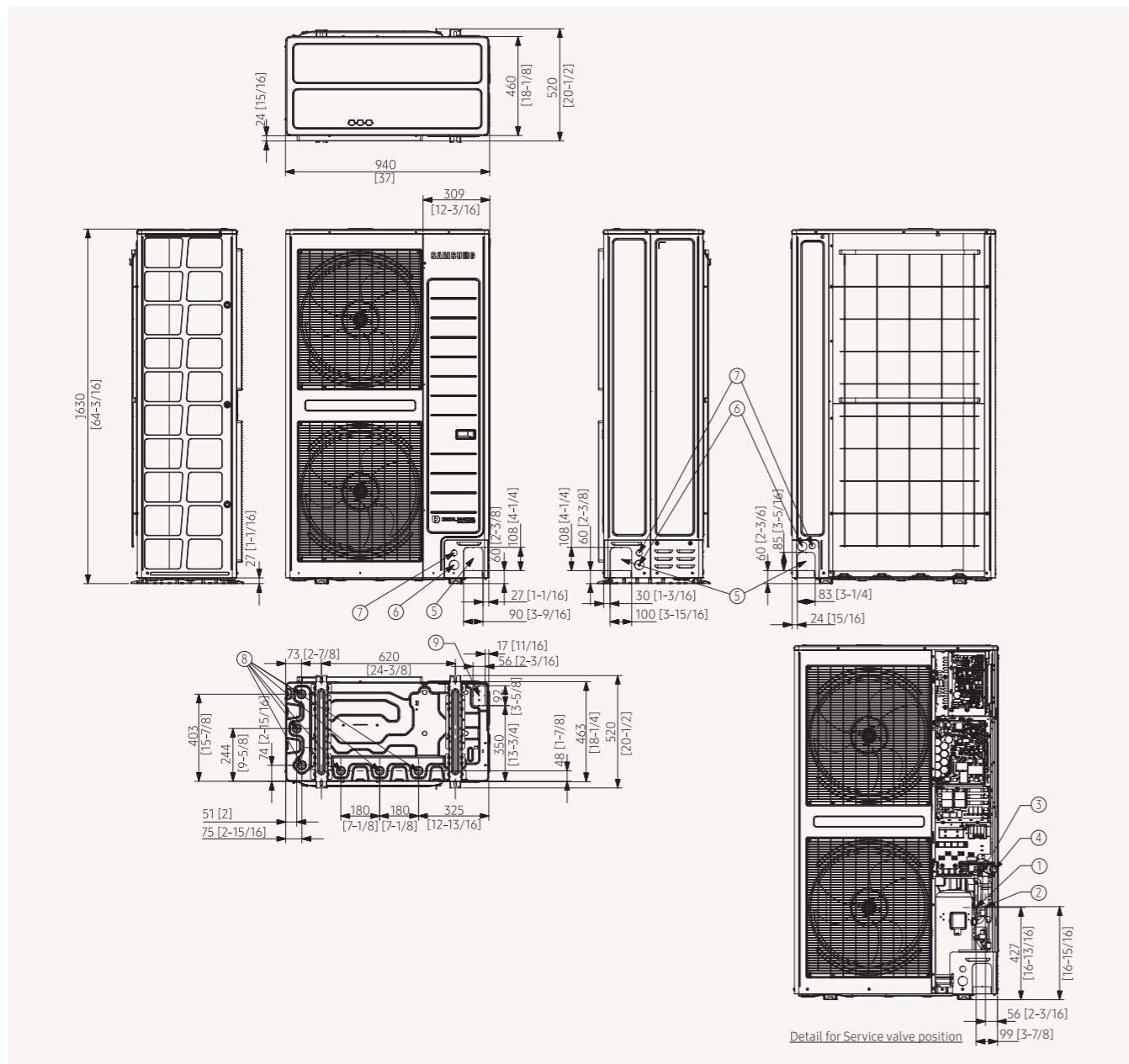


NO	Name	Description
<b>8 hp</b>		
1	Refrigerant gas pipe	ø19.05 (ø3/4)
2	Refrigerant liquid pipe	ø9.52 (ø3/8)
3	Knock-out hole for pipe intake	Front/Side/Rear/Bottom
4	Power wiring conduits	Front/Side/Rear, ø34.00 (ø1 3/8)
5	Communication wiring conduits	Front/Side/Rear, ø22.00 (ø7/8)
6	Drain holes	Connect with the provided drain plug.

# Dimensional drawings

## DVM S Eco Heat Pump

AM100KXMDGH/EU, AM120KXMDGH/EU, AM140KXMDGH/EU



NO	Name	Description	
		10 hp	12/14 hp
1	Refrigerant liquid pipe	ø9.52 (ø3/8)	ø12.70 (ø1/2)
2	Refrigerant gas pipe	ø22.28 (ø5/8)	ø28.58 (ø3/4)
3	Service valve (gas)		
4	Service valve (liquid)		
5	Knock-out hole for pipe intake		Front/Side/Rear
6	Power wiring conduits		Front/Side/Rear, ø44 (ø1 3/4)
7	Communication wiring conduits		Front/Side/Rear, ø28 (ø1 1/8)
8	Drain holes		Connect with the provided drain plug.
9	Knock-out hole for pipe intake		Bottom



# Specifications

## DVM S2 Essential Heat Pump (2-Pipe)

- Erp (Ecodesign) compliant and Eurovent certified
- Advanced Flash Injection™ technology
- Active AI Pressure Control
- Active AI Defrost

- Active AI Refrigerant analysis
- Durafin™ Ultra Heat Exchanger Fin
- Optional Slimmer Liquid Pipe
- On-device Inverter Checker™



Model			AM100AXVDGH/EU	AM120AXVDGH/EU	AM140AXVDGH/EU	
Power Supply		Φ, #, V, Hz	3Φ, 4, 380-415 V, 50 Hz	3Φ, 4, 380-415 V, 50 Hz	3Φ, 4, 380-415 V, 50 Hz	
Performance	hp	hp	10	12	14	
	Capacity	Cooling (Rated)	kW	28.0	33.6	40.0
		Heating (Rated)	kW	28.0	33.6	40.0
		Heating (Max)	kW	31.5	37.8	45.0
	Maximum number of connectable indoor units	ea	18	21	26	
	Total capacity of the connected indoor units	Min.	kW	14.0	16.8	20.0
Max.		kW	36.4	43.7	52.0	
Power	Current Input	Cooling (Rated)	A	20.50	22.01	28.60
		Heating (Rated)	A	14.34	16.45	20.91
	Current	Minimum SSC value	MVA	3.7	4.0	4.6
		MCA	A	23.0	25.0	29.0
		MFA	A	32	32	32
Energy efficiency <sup>1</sup>	SEER	W/W	6.00	6.40	6.20	
	SCOP	W/W	4.10	4.30	4.10	
	ηs.c	%	237	253	245	
	ηs.h	%	161	169	161	
	Compressor	Type	-	Inverter Scroll x1	Inverter Scroll x1	Inverter Scroll x1
Output		kW x n	6.67 x1	6.67 x1	6.67 x1	
		Oil	Type	PVE	PVE	PVE
Initial Charge		cc x n	1,100 x1	1,100 x1	1,100 x1	
Fan	Type	-	Propeller	Propeller	Propeller	
	Discharge direction	-	Vertical	Vertical	Vertical	
	Number of Fans	ea	1	1	1	
		Airflow Rate	m³/min	167	196	210
	External Static Pressure	l/s	2,779	3,260	3,500	
		Max.	mmAq	11	11	8
Fan Motor	Type	-	BLDC Motor	BLDC Motor	BLDC Motor	
	Output	W x n	630 x1	630 x1	630 x1	
Piping Connections	Liquid Pipe	ø, mm	9.52	12.70	12.70	
		ø, inch	3/8	1/2	1/2	
	Gas Pipe	ø, mm	22.22	28.58	28.58	
		ø, inch	7/8	1 1/8	1 1/8	
	Piping length (ODU-IDU) <sup>3</sup>	Max. (Equiv.)	m	200 [220]	200 [220]	200 [220]
	Piping length (1st Branch - IDU) <sup>3</sup>	Max.	m	90	90	90
	Total piping length (System)	Max.	m	1,000	1,000	1,000
	Level difference (ODU in highest position) <sup>1</sup>	Max.	m	110	110	110
Level difference (IDU in highest position) <sup>1</sup>	Max.	m	110	110	110	
Wiring Connections	Level Difference (IDU-IDU) <sup>3</sup>	Max.	m	50	50	50
	Transmission Cable	Min.	mm²	0.75	0.75	0.75
Refrigerant	Remark	-	F1, F2	F1, F2	F1, F2	
	Type	-	R410A(Fluorinated greenhouse gas, GWP=2,088)			
	Factory Charging	kg	5.5	7.0	7.0	
Sound	Sound Pressure <sup>2</sup>	Cooling	dB(A)	56	61	63
		Heating	dB(A)	60	63	65
	Sound Power	Cooling	dB(A)	78	81	85
		Heating	dB(A)	81	85	88
External Dimensions	Net Weight	kg	185	205	207	
	Net Dimensions (W x H x D)	mm	930 x 1,695 x 765	930 x 1,695 x 765	930 x 1,695 x 765	
Operating Temperature Range	Cooling	°C	-5-50	-5-50	-5-50	
	Heating	°C	-25-24	-25-24	-25-24	

AM160AXVDGH/EU	AM180AXVDGH/EU
3Φ, 4, 380-415 V, 50 Hz	3Φ, 4, 380-415 V, 50 Hz
16	18
45.0	50.4
45.0	50.4
50.4	56.7
29	32
22.5	25.2
58.5	65.5
31.04	37.61
22.38	24.75
5.2	6.3
32.0	39.2
40	50
6.30	5.90
4.20	4.10
249	233
165	161
Inverter Scroll x1	Inverter Scroll x1
8.93 x1	8.93 x1
PVE	PVE
1,400 x1	1,400 x1
Propeller	Propeller
Vertical	Vertical
2	2
303	324
5,052	5,401
11	11
110	110
BLDC Motor	BLDC Motor
620 x 2	620 x 2
12.70	15.88
1/2	5/8
28.58	28.58
11/8	1 1/8
200 [220]	200 [220]
90	90
1,000	1,000
110	110
110	110
50	50
0.75	0.75
F1, F2	F1, F2
R410A(Fluorinated greenhouse gas, GWP=2,088)	
8.0	8.0
16.70	16.70
60	61
62	64
81	83
242	242
1,295 x 1,695 x 765	1,295 x 1,695 x 765
-5-50	-5-50
-25-24	-25-24

<sup>1</sup>Performances are based on the following test conditions:  
 - Cooling: Indoor temperature: 27 °C DB, 19 °C WB, Outdoor temperature: 35 °C DB, 24 °C WB  
 - Heating: Indoor temperature: 20 °C DB, 15 °C WB, Outdoor temperature: 7 °C DB, 6 °C WB  
 - Equivalent refrigerant piping: 7.5 m, Level differences: 0 m

<sup>2</sup>Sound pressure level is obtained in an anechoic room. Sound pressure level is a relative value, depending on the distance and acoustic environment. Sound pressure level may differ according to operating conditions. Sound power level is an absolute value that a sound source generates.

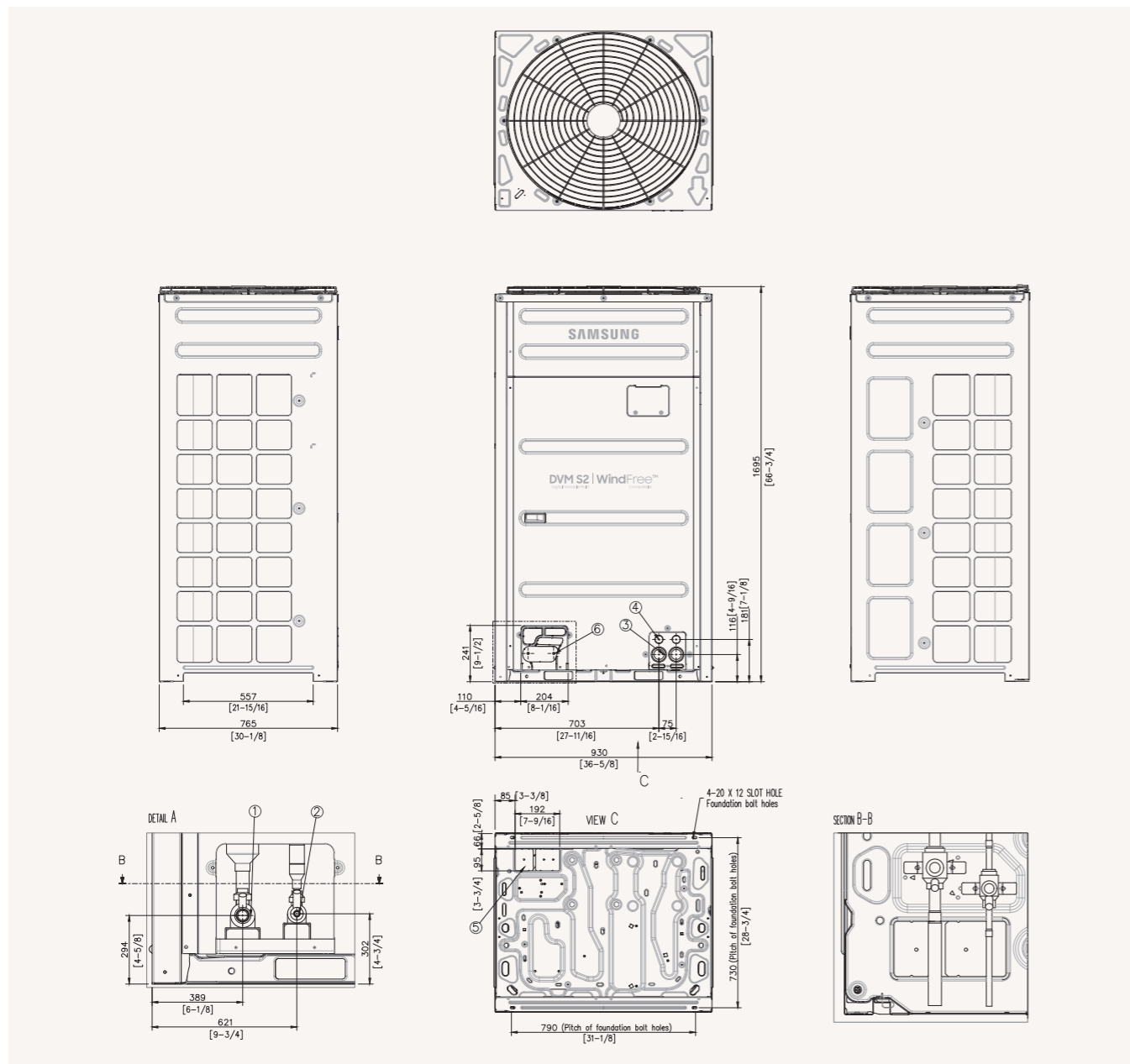
<sup>3</sup>ODU: Outdoor Unit, IDU: Indoor Unit



# Dimensional drawings

## DVM S2 Essential Heat Pump (2-Pipe)

AM100/120/140AXVDGH/EU

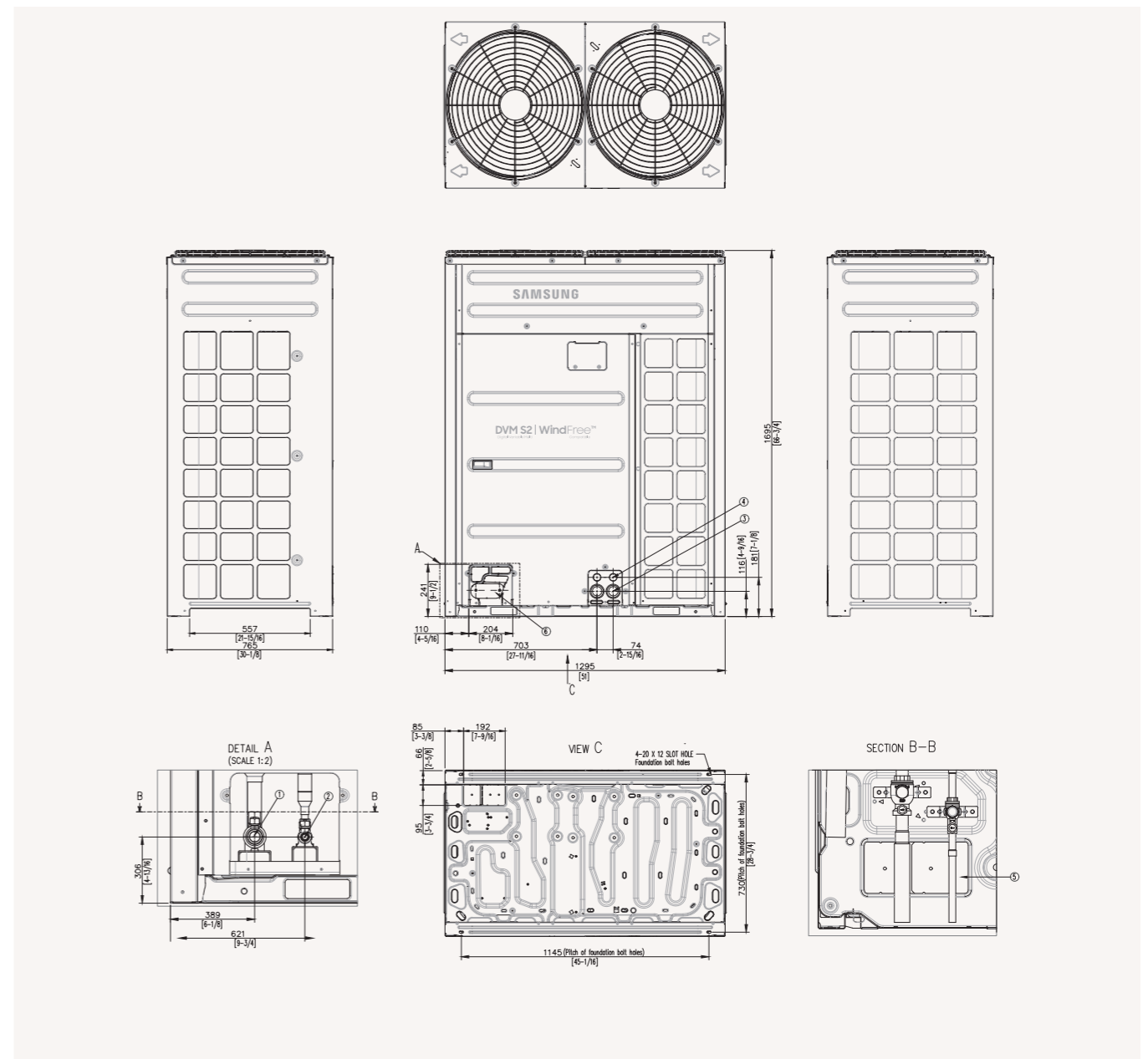


NO	Name	Description
1	Gas Ref.pipe	See NOTE 4.
2	Liquid Ref.pipe	See NOTE 4.
3	Power wiring conduit	Ø44
4	Communication wiring conduit	Ø34
5	Knock-out Hole for Ref.Piping (bottom)	
6	Knock-out Hole for Ref.Piping (front)	

Note:  
 1. Detail A and SECTION B-B indicate the dimension after fixing the attached piping.  
 2. Item 3-6: Knock-out hole  
 3. View C indicate the dimension of knock-out hole (bottom)  
 4. Pipe Ø, mm(inch): Brazing connection

HP	Liquid pipe	Gas pipe
8	9.52(3/8)	19.05(3/4)
10	9.52(3/8)	22.22(7/8)
12	12.70(1/2)	28.58(1-1/8)
14	12.70(1/2)	28.58(1-1/8)
16	12.70(1/2)	28.58(1-1/8)
18	15.88(5/8)	28.58(1-1/8)
20	15.88(5/8)	28.58(1-1/8)
22	15.88(5/8)	28.58(1-1/8)
24	15.88(5/8)	34.92(1-3/8)
26	19.05(3/4)	34.92(1-3/8)

AM160/180AXVDGH/EU



NO	Name	Description
1	Gas Ref.pipe	See NOTE 4.
2	Liquid Ref.pipe	See NOTE 4.
3	Power wiring conduit	Ø44
4	Communication wiring conduit	Ø34
5	Knock-out Hole for Ref.Piping (bottom)	
6	Knock-out Hole for Ref.Piping (front)	

Note:  
 1. Detail A and SECTION B-B indicate the dimension after fixing the attached piping.  
 2. Item 3-6: Knock-out hole  
 3. View C indicate the dimension of knock-out hole (bottom)  
 4. Pipe Ø, mm(inch): Brazing connection

HP	Liquid pipe	Gas pipe
8	9.52(3/8)	19.05(3/4)
10	9.52(3/8)	22.22(7/8)
12	12.70(1/2)	28.58(1-1/8)
14	12.70(1/2)	28.58(1-1/8)
16	12.70(1/2)	28.58(1-1/8)
18	15.88(5/8)	28.58(1-1/8)
20	15.88(5/8)	28.58(1-1/8)
22	15.88(5/8)	28.58(1-1/8)
24	15.88(5/8)	34.92(1-3/8)
26	19.05(3/4)	34.92(1-3/8)

# Specifications

## DVM S2 Standard Heat Pump (2-Pipe)

- Erp (Ecodesign) compliant and Eurovent certified
- Advanced Flash Injection™ technology
- Active AI Pressure Control
- Active AI Defrost

- Active AI Refrigerant analysis
- Durafin™ Ultra Heat Exchanger Fin
- Optional Slimmer Liquid Pipe
- On-device Inverter Checker™



<sup>1</sup> Performances are based on the following test conditions:  
 - Cooling: Indoor temperature: 27 °C DB, 19 °C WB, Outdoor temperature: 35 °C DB, 24 °C WB  
 - Heating: Indoor temperature: 20 °C DB, 15 °C WB, Outdoor temperature: 7 °C DB, 6 °C WB  
 - Equivalent refrigerant piping: 7.5 m, Level differences: 0 m

<sup>2</sup> Sound pressure level is obtained in an anechoic room. Sound pressure level is a relative value, depending on the distance and acoustic environment. Sound pressure level may differ according to operating conditions. Sound power level is an absolute value that a sound source generates.

<sup>3</sup> ODU: Outdoor Unit, IDU: Indoor Unit

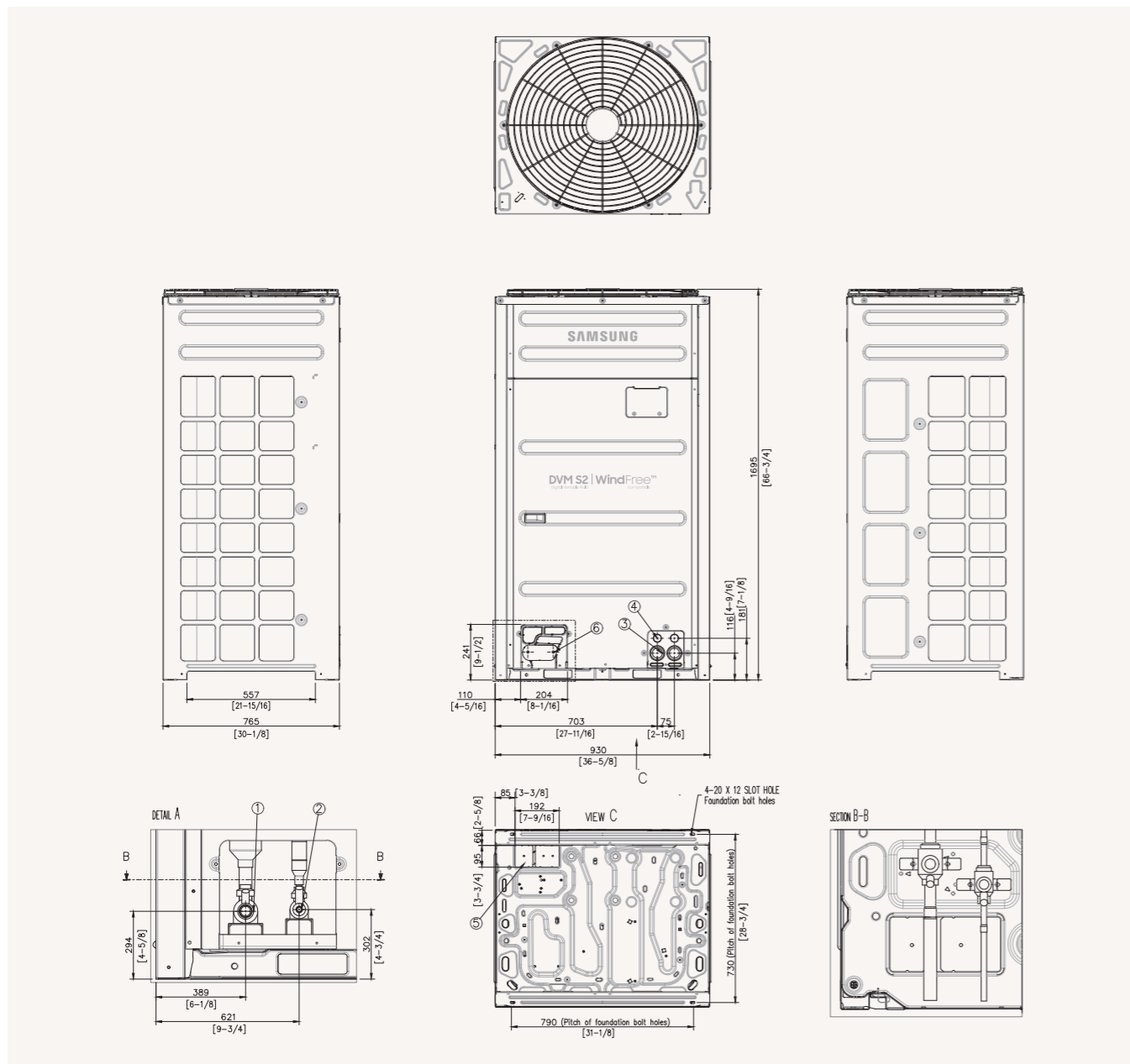
Model		AM080AXVAGH/EU	AM100AXVAGH/EU	AM120AXVAGH/EU		
<b>Power Supply</b>		Φ, #, V, Hz	3Φ, 4, 380-415 V, 50 Hz	3Φ, 4, 380-415 V, 50 Hz	3Φ, 4, 380-415 V, 50 Hz	
<b>Performance</b>	hp	hp	8	10	12	
	Capacity	Cooling	kW	22.4	28.0	33.6
		Heating	kW	22.4	28.0	33.6
	Maximum number of connectable indoor units	ea	14	18	21	
	Total capacity of the connected indoor units	Min.	kW	11.2	14.0	16.8
Max.		kW	29.1	36.4	43.7	
<b>Power</b>	Current Input	Cooling	A	12.60	18.41	19.83
		Heating	A	9.50	12.90	14.82
	Current	MCA	A	18.0	23.0	25.0
		MFA	A	25	32	32
<b>Energy Efficiency<sup>1</sup></b>	SEER	W/W	6.5	6.2	6.6	
	SCOP	W/W	4.2	4.2	4.4	
	ηs.c	%	257	245	261	
	ηs.h	%	165	165	173	
<b>Compressor</b>	Output	kW x n	4.60 x 1	6.67 x 1	6.67 x 1	
	Oil	Type	-	PVE	PVE	
	Initial Charge	cc x n	900 x 1	1,100 x 1	1,100 x 1	
<b>Fan</b>	Type	-	Propeller	Propeller	Propeller	
	Discharge direction	-	Vertical	Vertical	Vertical	
	Number of Fans	ea	1	1	1	
	Airflow Rate		m³/min	151	167	196
			l/s	2,515.00	2,779.00	3,260.00
	External Static Pressure	Max.	mmAq	11	11	11
		Pa	110	110	110	
<b>Fan Motor</b>	Type	-	BLDC Motor	BLDC Motor	BLDC Motor	
	Output	W x n	630 x 1	630 x 1	630 x 1	
<b>Piping Connections</b>	Liquid Pipe	ø, mm	9.52	9.52	12.70	
		ø, inch	3/8	3/8	1/2	
	Gas Pipe	ø, mm	19.05	22.22	28.58	
		ø, inch	3/4	7/8	1 1/8	
	Piping length (ODU-IDU) <sup>3</sup>	Max. (Equiv.)	m	200 [220]	200 [220]	200 [220]
	Piping length (1st Branch - IDU) <sup>3</sup>	Max.	m	90	90	90
	Total piping length (System)	Max.	m	1,000	1,000	1,000
	Level difference (ODU in highest position) <sup>3</sup>	Max.	m	110	110	110
	Level difference (IDU in highest position) <sup>3</sup>	Max.	m	110	110	110
	Level Difference (IDU-IDU) <sup>3</sup>	Max.	m	50	50	50
<b>Wiring Connections</b>	Transmission Cable	mm²	0.75	0.75	0.75	
	Remark	-	F1, F2	F1, F2	F1, F2	
<b>Refrigerant</b>	Type	-	R410A(Fluorinated greenhouse gas, GWP=2,088)			
	Factory Charging	kg	5.5	7.0	7.0	
		tCO <sub>2</sub> e	11.48	14.62	14.62	
<b>Sound</b>	Sound Pressure <sup>2</sup>	Cooling	dB(A)	53	56	61
		Heating	dB(A)	58	60	63
	Sound Power	Cooling	dB(A)	75	78	81
<b>External Dimensions</b>	Net Weight	kg	175	185	205	
	Net Dimensions (W x H x D)	mm	930 x 1,695 x 765	930 x 1,695 x 765	930 x 1,695 x 765	
<b>Operating Temperature Range</b>	Cooling	°C	-5-50	-5-50	-5-50	
	Heating	°C	-25-24	-25-24	-25-24	

AM140AXVAGH/EU	AM160AXVAGH/EU	AM180AXVAGH/EU	AM200AXVAGH/EU	AM220AXVAGH/EU	AM240AXVAGH/EU	AM260AXVAGH/EU
3Φ, 4, 380-415 V, 50 Hz	3Φ, 4, 380-415 V, 50 Hz	3Φ, 4, 380-415 V, 50 Hz	3Φ, 4, 380-415 V, 50 Hz	3Φ, 4, 380-415 V, 50 Hz	3Φ, 4, 380-415 V, 50 Hz	3Φ, 4, 380-415 V, 50 Hz
14	16	18	20	22	24	26
40.0	45.0	50.4	56.0	61.6	67.2	72.8
40.0	45.0	50.4	56.0	61.6	67.2	68.0
26	29	32	36	40	43	47
20.0	22.5	25.2	28.0	30.8	33.6	36.4
52.0	58.5	65.5	72.8	80.1	87.4	94.6
27.72	29.47	33.87	39.87	45.43	50.05	58.83
18.81	20.13	22.29	26.49	28.11	45.58	46.54
29.0	32.0	39.2	43.0	46.0	55.0	60.0
32	40	50	63	63	63	75
6.4	6.5	6.1	6.2	5.9	5.6	5.1
4.2	4.3	4.2	4.1	4.1	3.7	3.7
253	257	241	245	233	221	201
165	169	165	161	161	145	145
6.67 x 1	8.93 x 1	8.93 x 1	8.93 x 1	6.67 x 2	6.67 x 2	6.67 x 2
PVE	PVE	PVE	PVE	PVE	PVE	PVE
1,100 x 1	1,400 x 1	1,400 x 1	1,400 x 1	1,100 x 2	1,100 x 2	1,100 x 2
Propeller	Propeller	Propeller	Propeller	Propeller	Propeller	Propeller
Vertical	Vertical	Vertical	Vertical	Vertical	Vertical	Vertical
1	2	2	2	2	2	2
210	303	324	313	342	365	365
3,500.00	5,052.00	5,401.00	5,209.00	5,698.00	6,089.00	6,089.00
8	11	11	11	11	8	8
80	110	110	110	110	80	80
BLDC Motor	BLDC Motor	BLDC Motor	BLDC Motor	BLDC Motor	BLDC Motor	BLDC Motor
630 x 1	620 x 2	620 x 2	620 x 2	620 x 2	620 x 2	620 x 2
12.70	12.70	15.88	15.88	15.88	15.88	19.05
1/2	1/2	5/8	5/8	5/8	5/8	3/4
28.58	28.58	28.58	28.58	28.58	34.92	34.92
11/8	11/8	11/8	11/8	11/8	1 3/8	1 3/8
200 [220]	200 [220]	200 [220]	200 [220]	200 [220]	200 [220]	200 [220]
90	90	90	90	90	90	90
1,000	1,000	1,000	1,000	1,000	1,000	1,000
110	110	110	110	110	110	110
110	110	110	110	110	110	110
50	50	50	50	50	50	50
0.75	0.75	0.75	0.75	0.75	0.75	0.75
F1, F2	F1, F2	F1, F2	F1, F2	F1, F2	F1, F2	F1, F2
R410A(Fluorinated greenhouse gas, GWP=2,088)						
7.0	8.0	8.0	10.5	10.5	14.0	14.0
14.62	16.70	16.70	21.92	21.92	29.23	29.23
63	60	61	61	64	65	65
65	62	64	63	65	67	67
85	81	83	84	86	87	87
207	242	242	268	301	325	325
930 x 1,695 x 765	1,295 x 1,695 x 765	1,295 x 1,695 x 765	1,295 x 1,695 x 765	1,295 x 1,695 x 765	1,295 x 1,695 x 765	1,295 x 1,695 x 765
-5-50	-5-50	-5-50	-5-50	-5-50	-5-50	-5-50
-25-24	-25-24	-25-24	-25-24	-25-24	-25-24	-25-24

# Dimensional drawings

## DVM S2 Standard Heat Pump (2-Pipe)

AM080/100/120/140AXVAGH/EU

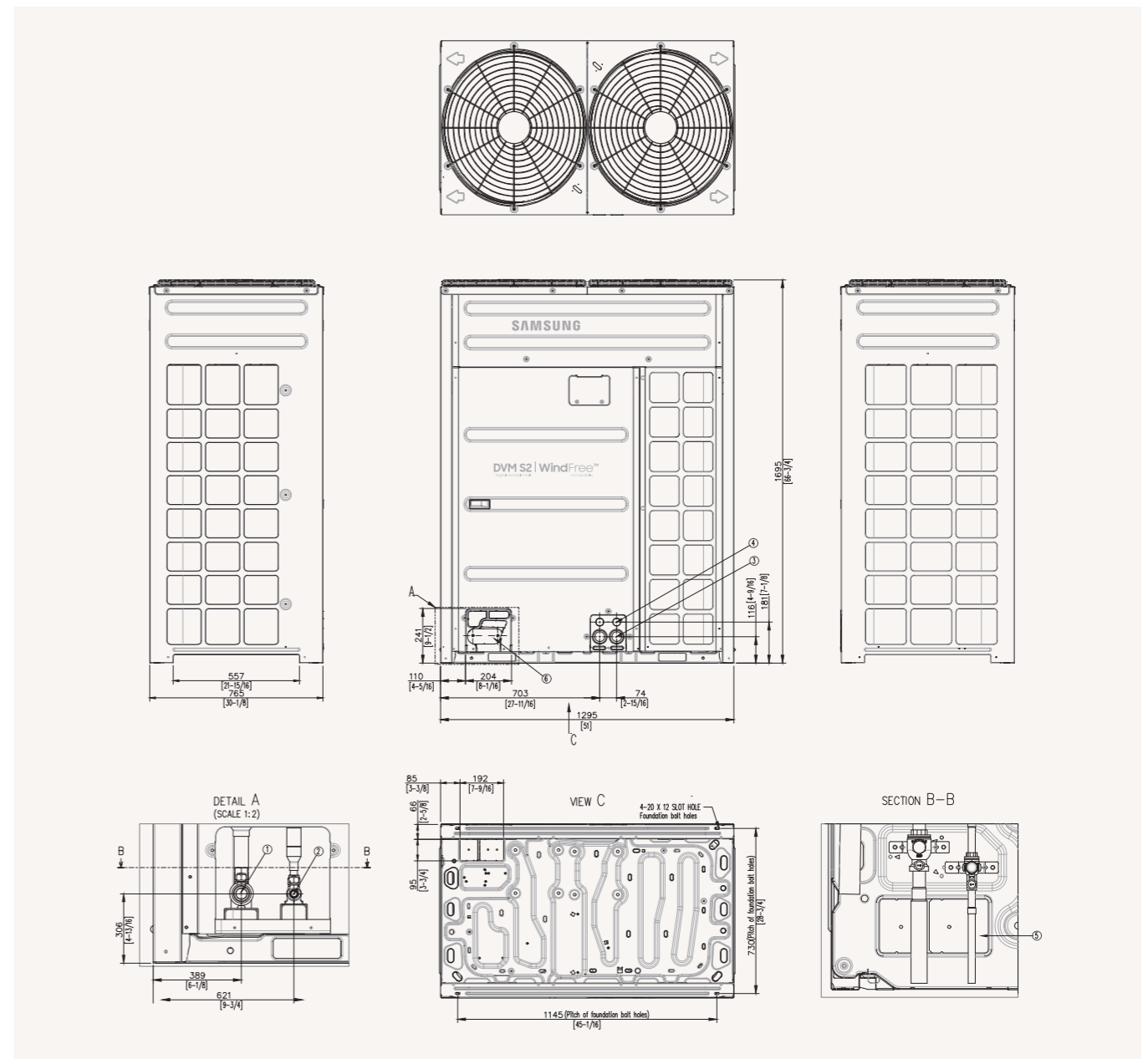


NO	Name	Description
1	Gas Ref.pipe	See NOTE 4.
2	Liquid Ref.pipe	See NOTE 4.
3	Power wiring conduit	Ø44
4	Communication wiring conduit	Ø34
5	Knock-out Hole for Ref.Piping (bottom)	
6	Knock-out Hole for Ref.Piping (front)	

**Note:**

1. Detail A and SECTION B-B indicate the dimension after fixing the attached piping.
2. Item 3-6: Knock-out hole
3. View C indicate the dimension of knock-out hole (bottom)
4. Pipe [Ø, mm(inch)]: Brazing connection

AM160/180/200/240/260AXVAGH/EU



NO	Name	Description
1	Gas Ref.pipe	See NOTE 4.
2	Liquid Ref.pipe	See NOTE 4.
3	Power wiring conduit	Ø44
4	Communication wiring conduit	Ø34
5	Knock-out Hole for Ref.Piping (bottom)	
6	Knock-out Hole for Ref.Piping (front)	

**Note:**

1. Detail A and SECTION B-B indicate the dimension after fixing the attached piping.
2. Item 3-6: Knock-out hole
3. View C indicate the dimension of knock-out hole (bottom)
4. Pipe [Ø, mm(inch)]: Brazing connection

HP	Liquid pipe	Gas pipe
8	9.52(3/8)	19.05(3/4)
10	9.52(3/8)	22.22(7/8)
12	12.70(1/2)	28.58(1-1/8)
14	12.70(1/2)	28.58(1-1/8)
16	12.70(1/2)	28.58(1-1/8)
18	15.88(5/8)	28.58(1-1/8)
20	15.88(5/8)	28.58(1-1/8)
22	15.88(5/8)	28.58(1-1/8)
24	15.88(5/8)	34.92(1-3/8)
26	19.05(3/4)	34.92(1-3/8)



# Specifications

## DVM S2 High Efficiency Heat Pump (2-Pipe)

- Erp (Ecodesign) compliant and Eurovent certified
- Advanced Flash Injection™ technology
- Active AI Pressure Control
- Active AI Defrost

- Active AI Refrigerant analysis
- Durafin™ Ultra Heat Exchanger Fin
- Optional Slimmer Liquid Pipe
- On-device Inverter Checker™



<sup>1</sup> Performances are based on the following test conditions:  
 - Cooling: Indoor temperature: 27 °C DB, 19 °C WB, Outdoor temperature: 35 °C DB, 24 °C WB  
 - Heating: Indoor temperature: 20 °C DB, 15 °C WB, Outdoor temperature: 7 °C DB, 6 °C WB  
 - Equivalent refrigerant piping: 7.5 m, Level differences: 0 m

<sup>2</sup> Sound pressure level is obtained in an anechoic room. Sound pressure level is a relative value, depending on the distance and acoustic environment. Sound pressure level may differ according to operating conditions. Sound power level is an absolute value that a sound source generates.

<sup>3</sup> ODU: Outdoor Unit, IDU: Indoor Unit

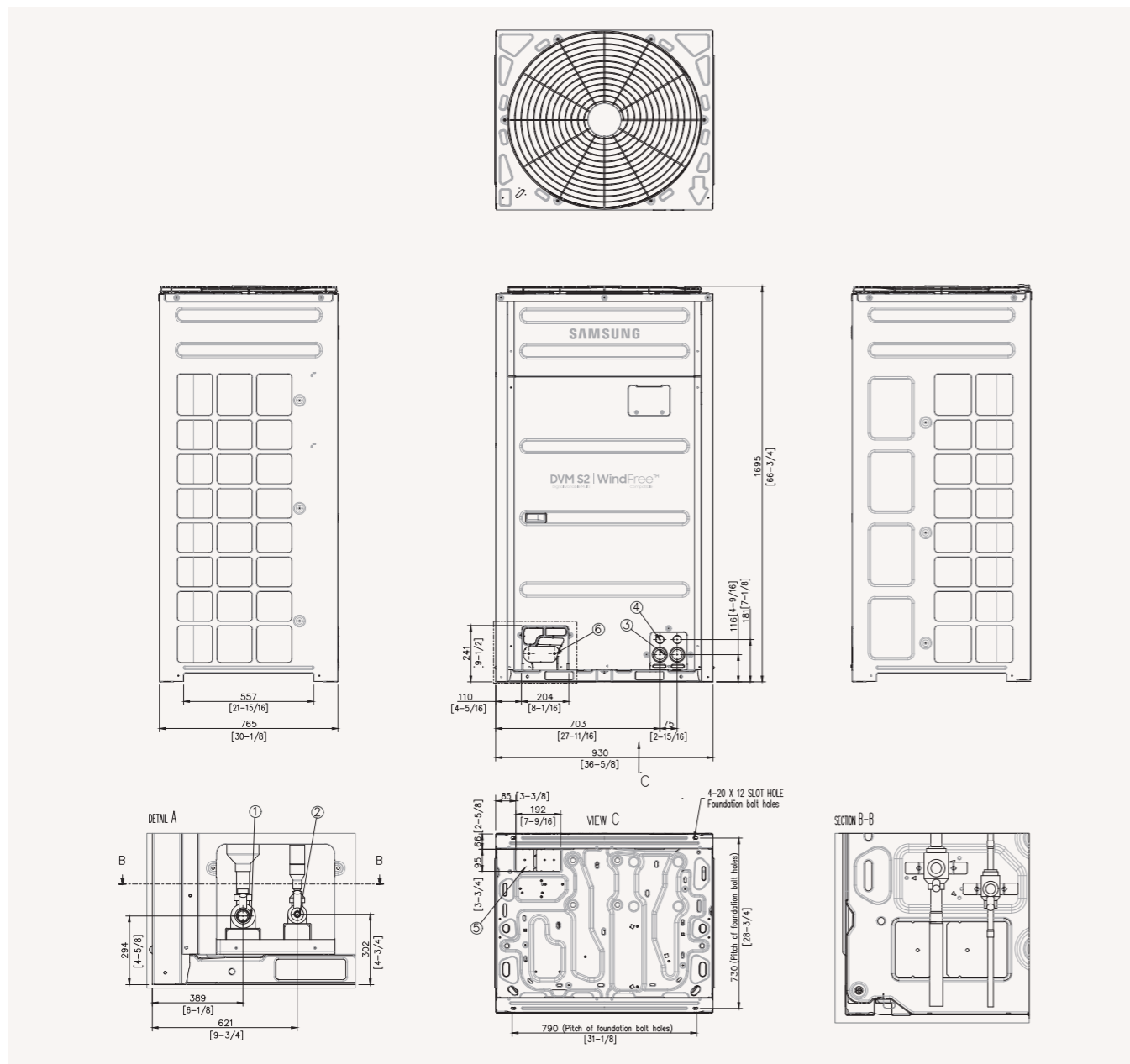
Model			AM080AXVGGH/EU	AM100AXVGGH/EU	AM120AXVGGH/EU	
Power Supply	Φ, #, V, Hz		3Φ, 4, 380-415 V, 50 Hz	3Φ, 4, 380-415 V, 50 Hz	3Φ, 4, 380-415 V, 50 Hz	
Performance	hp	hp	8	10	12	
	Capacity	Cooling	kW	22.4	28.0	33.6
		Heating	kW	22.4	28.0	33.6
	Maximum number of connectable indoor units	ea	14	18	21	
	Total capacity of the connected indoor units	Min.	kW	11.2	14.0	16.8
Max.		kW	29.1	36.4	43.7	
Power	Current Input	Cooling	A	11.44	15.97	19.25
		Heating	A	9.09	11.41	14.37
	Current	Minimum SSC value	MVA	3.0	3.4	4.0
		MCA	A	18.0	21.2	25.0
		MFA	A	25	32	32
Energy Efficiency <sup>1</sup>	SEER	W/W	7.2	6.9	6.9	
	SCOP	W/W	4.50	4.40	4.56	
	ηs.c	%	285	273	273	
	ηs.h	%	177	173	179.4	
Compressor	Output	kW x n	4.6 x 1	6.67 x 1	6.67 x 1	
	Oil	Type	-	PVE	PVE	
	Initial Charge	cc x n	900 x 1	1,100 x 1	1,100 x 1	
Fan	Type	-	Propeller	Propeller	Propeller	
	Discharge direction	-	Top	Top	Top	
	Number of Fans	ea	1	1	1	
	Airflow Rate	m³/min		164	181	196
		l/s		2,738.00	3,019.00	3,260.00
	External Static Pressure	Max.	mmAq	11	11	11
		Pa	110.00	110.00	110.00	
Fan Motor	Type	-	BLDC Motor	BLDC Motor	BLDC Motor	
	Output	W x n	TBD	TBD	TBD	
Piping Connections	Liquid Pipe	ø, mm	9.52	9.52	12.70	
		ø, inch	3/8	3/8	1/2	
	Gas Pipe	ø, mm	19.05	22.22	28.58	
		ø, inch	3/4	7/8	1 1/8	
	Piping length (ODU-IDU) <sup>3</sup>	Max. (Equiv.)	m	200 [220]	200 [220]	200 [220]
	Piping length (1st Branch - IDU) <sup>3</sup>	Max.		90	90	90
	Total piping length (System)	Max.		1,000	1,000	1,000
	Level difference (ODU in highest position) <sup>3</sup>	Max.		110	110	110
Level difference (IDU in highest position) <sup>3</sup>	Max.		110	110	110	
Level Difference (IDU-IDU) <sup>3</sup>	Max.		50	50	50	
Wiring Connections	Transmission Cable	mm²	0.75	0.75	0.75	
	Remark	-	F1, F2	F1, F2	F1, F2	
Refrigerant	Type	-	R410A(Fluorinated greenhouse gas, GWP=2,088)			
	Factory Charging	kg	7.0	7.0	7.0	
		tCO <sub>2</sub> e	14.62	14.62	14.62	
Sound	Sound Pressure <sup>2</sup>	Cooling	dB(A)	53	56	61
		Heating	dB(A)	58	60	63
	Sound Power	Cooling	dB(A)	75	78	81
External Dimensions	Net Weight	kg	194	205	205	
	Net Dimensions (W x H x D)	mm	930 x 1,695 x 765	930 x 1,695 x 765	930 x 1,695 x 765	
Operating Temperature Range	Cooling	°C	-5-50	-5-50	-5-50	
	Heating		-25-24	-25-24	-25-24	

AM140AXVGGH/EU	AM160AXVGGH/EU	AM180AXVGGH/EU	AM200AXVGGH/EU	AM220AXVGGH/EU	AM240AXVGGH/EU	AM260AXVGGH/EU
3Φ, 4, 380-415 V, 50 Hz	3Φ, 4, 380-415 V, 50 Hz	3Φ, 4, 380-415 V, 50 Hz	3Φ, 4, 380-415 V, 50 Hz	3Φ, 4, 380-415 V, 50 Hz	3Φ, 4, 380-415 V, 50 Hz	3Φ, 4, 380-415 V, 50 Hz
14	16	18	20	22	24	26
40.0	45.0	50.4	56.0	61.6	67.2	72.8
40.0	45.0	50.4	56.0	61.6	67.2	72.8
26	29	32	36	40	43	47
20.0	22.5	25.2	28.0	30.8	33.6	36.4
52.0	58.5	65.5	72.8	80.1	87.4	94.6
25.44	26.96	26.79	38.63	44.15	48.62	57.61
17.06	19.35	21.14	25.72	27.29	44.20	45.11
4.4	5.2	6.4	7.0	7.4	9.3	10.2
27.0	32.0	39.2	43.0	46.0	55.0	60.0
32	40	50	63	63	63	75
6.7	6.9	7.5	6.5	6.2	5.9	5.4
4.25	4.30	4.80	4.50	4.30	3.90	3.90
265	273	297	257	245	233	213
167	169	189	177	169	153	153
6.67 x 1	8.93 x 1	8.93 x 1	8.93 x 1	6.67 x 2	6.67 x 2	6.67 x 2
PVE	PVE	PVE	PVE	PVE	PVE	PVE
1,100 x 1	1,400 x 1	1,400 x 1	1,400 x 1	1,100 x 2	1,100 x 2	1,100 x 2
Propeller	Propeller	Propeller	Propeller	Propeller	Propeller	Propeller
Top	Top	Top	Top	Top	Top	Top
2	2	2	2	2	2	2
291	292	313	313	342	365	365
4,852.00	4,866.00	5,209.00	5,209.00	5,698.00	6,089.00	6,089.00
11	11	11	11	11	8	8
110.00	110.00	110.00	110.00	110.00	80.00	80.00
BLDC Motor	BLDC Motor	BLDC Motor	BLDC Motor	BLDC Motor	BLDC Motor	BLDC Motor
TBD	TBD	TBD	TBD	TBD	TBD	TBD
12.70	12.70	15.88	15.88	15.88	15.88	19.05
1/2	1/2	5/8	5/8	5/8	5/8	3/4
28.58	28.58	28.58	28.58	28.58	34.92	34.92
11/8	11/8	11/8	11/8	11/8	1 3/8	1 3/8
200 [220]	200 [220]	200 [220]	200 [220]	200 [220]	200 [220]	200 [220]
90	90	90	90	90	90	90
1,000	1,000	1,000	1,000	1,000	1,000	1,000
110	110	110	110	110	110	110
110	110	110	110	110	110	110
50	50	50	50	50	50	50
0.75	0.75	0.75	0.75	0.75	0.75	0.75
F1, F2	F1, F2	F1, F2	F1, F2	F1, F2	F1, F2	F1, F2
R410A(Fluorinated greenhouse gas, GWP=2,088)						
8.0	10.5	10.5	10.5	10.5	14.0	14.0
16.70	21.92	21.92	21.92	21.92	29.23	29.23
58	58	59	61	64	65	65
61	61	63	63	65	67	67
81	81	81	84	86	87	87
233	262	268	268	301	325	325
1,295 x 1,695 x 765	1,295 x 1,695 x 765	1,295 x 1,695 x 765	1,295 x 1,695 x 765	1,295 x 1,695 x 765	1,295 x 1,695 x 765	1,295 x 1,695 x 765
-5-50	-5-50	-5-50	-5-50	-5-50	-5-50	-5-50
-25-24	-25-24	-25-24	-25-24	-25-24	-25-24	-25-24

# Dimensional drawings

## DVM S2 High Efficiency Heat Pump (2-Pipe)

AM080/100/120AXVGGH/EU

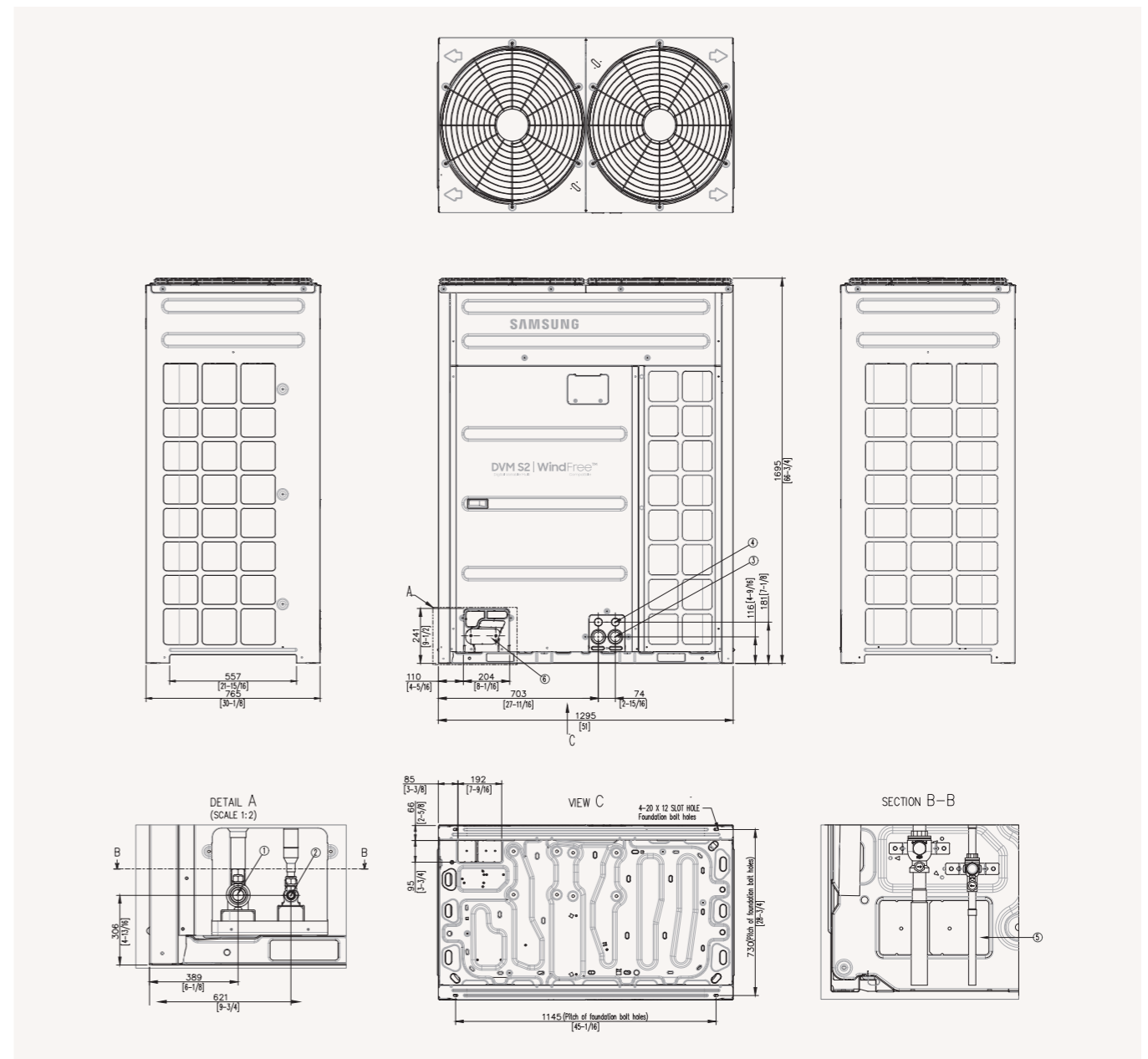


NO	Name	Description
1	Gas Ref.pipe	See NOTE 4.
2	Liquid Ref.pipe	See NOTE 4.
3	Power wiring conduit	Ø44
4	Communication wiring conduit	Ø34
5	Knock-out Hole for Ref.Piping (bottom)	
6	Knock-out Hole for Ref.Piping (front)	

**Note:**

1. Detail A and SECTION B-B indicate the dimension after fixing the attached piping.
2. Item 3-6: Knock-out hole
3. View C indicate the dimension of knock-out hole (bottom)
4. Pipe [Ø, mm(inch)]: Brazing connection

AM140/160/180/200/240/260AXVGGH/EU



NO	Name	Description
1	Gas Ref.pipe	See NOTE 4.
2	Liquid Ref.pipe	See NOTE 4.
3	Power wiring conduit	Ø44
4	Communication wiring conduit	Ø34
5	Knock-out Hole for Ref.Piping (bottom)	
6	Knock-out Hole for Ref.Piping (front)	

**Note:**

1. Detail A and SECTION B-B indicate the dimension after fixing the attached piping.
2. Item 3-6: Knock-out hole
3. View C indicate the dimension of knock-out hole (bottom)
4. Pipe [Ø, mm(inch)]: Brazing connection

HP	Liquid pipe	Gas pipe
8	9.52(3/8)	19.05(3/4)
10	9.52(3/8)	22.22(7/8)
12	12.70(1/2)	28.58(1-1/8)
14	12.70(1/2)	28.58(1-1/8)
16	12.70(1/2)	28.58(1-1/8)
18	15.88(5/8)	28.58(1-1/8)
20	15.88(5/8)	28.58(1-1/8)
22	15.88(5/8)	28.58(1-1/8)
24	15.88(5/8)	34.92(1-3/8)
26	19.05(3/4)	34.92(1-3/8)

# Specifications

## DVM S Eco Heat Recovery (With Heat Recovery Changer Kit)

- Horizontal discharge and rear suction by means of two propeller BLDC inverter fans.
- Each module houses one Twin BLDC Rotary compressor.
- Night Silent Mode available.
- Eurovent certified and ErP (Ecodesign) compliant.
- Four-way direction piping connection.



Model			AM040NXMDER/EU	AM050NXMDER/EU	AM060NXMDER/EU	
Power Supply		Φ, V, Hz	1Φ, 220-240 V, 50 Hz	1Φ, 220-240 V, 50 Hz	1Φ, 220-240 V, 50 Hz	
Performance	hp	hp	4	5	6	
	Capacity	Cooling	kW	12.1	14.0	15.5
Heating		kW	12.1	14.0	15.5	
Power	Power Input (Nominal)	Cooling	kW	2.69	3.41	4.13
		Heating	kW	2.58	3.11	3.65
	Current Input (Nominal)	Cooling	A	4.1	5.2	6.3
		Heating	A	3.8	4.5	5.3
	Current	MCA	A	22.0	24.0	30.0
		MFA	A	25	30	40
Energy Efficiency <sup>1</sup>	EER (Nominal Cooling)	W/W	4.50	4.11	3.75	
	COP (Nominal Heating)	W/W	4.80	4.70	4.45	
	SEER	W/W	10.50	10.10	9.50	
Compressor	Type	-	Twin BLDC Rotary	Twin BLDC Rotary	Twin BLDC Rotary	
	Output	kW	4.04	4.04	4.04	
	Oil	Type	-	PVE	PVE	PVE
Initial Charge		cc	1,700	1,700	1,700	
Fan	Type	-	Propeller/BLDC	Propeller/BLDC	Propeller/BLDC	
	Discharge direction	-	Horizontal	Horizontal	Horizontal	
	Motor (Output)	kW × n	125.0 × 2	125.0 × 2	125.0 × 2	
	Airflow Rate	(H/M/L)	m <sup>3</sup> /min	100	100	100
		(H/M/L)	l/s	1,666.70	1,666.70	1,666.70
	External Static Pressure	(Min/Std/Max)	mmAq	3	3	3
Piping Connections	Liquid Pipe	ø, mm	9.52	9.52	9.52	
		ø, inch	3/8	3/8	3/8	
	Gas Pipe	ø, mm	15.88	15.88	19.05	
		ø, inch	5/8	5/8	3/4	
	Discharge Gas Pipe	ø, mm	15.88	15.88	15.88	
		ø, inch	5/8	5/8	5/8	
	Installation Max. Length	m	150	150	150	
	Installation Max. Height	m	50	50	50	
Field Wiring	Transmission Cable	m	0.75-1.50	0.75-1.50	0.75-1.50	
Refrigerant	Type	-	R410A (Fluorinated greenhouse gas, GWP=2,088)			
	Factory Charging	kg	3.2	3.2	3.3	
		kg / tCO <sub>2</sub> e	6.7	6.7	6.9	
Sound <sup>2</sup>	Sound Pressure	dB(A)	52	52	53	
	Sound Power	dB(A)	67	68	70	
External Dimensions	Net Weight	kg	97.0	97.0	100.0	
	Net Dimensions (W x H x D)	mm	940 x 1,210 x 330	940 x 1,210 x 330	940 x 1,210 x 330	
Operating Temperature Range	Cooling	°C	-5.0-48.0	-5.0-48.0	-5.0-48.0	
	Heating	°C	-25.0-26.0	-25.0-26.0	-25.0-26.0	



AM040NXMDGR/EU	AM050NXMDGR/EU	AM060NXMDGR/EU
3Φ, 380-415 V, 50 Hz	3Φ, 380-415 V, 50 Hz	3Φ, 380-415 V, 50 Hz
4	5	6
12.1	14.0	15.5
12.1	14.0	15.5
2.69	3.41	4.13
2.58	3.11	3.65
4.1	5.2	6.3
3.8	4.5	5.3
10.0	12.0	12.0
16	16	16
4.50	4.11	3.75
4.80	4.70	4.45
10.50	10.10	9.50
Twin BLDC Rotary	Twin BLDC Rotary	Twin BLDC Rotary
4.04	4.04	4.04
PVE	PVE	PVE
1,700	1,700	1,700
Propeller/BLDC	Propeller/BLDC	Propeller/BLDC
Horizontal	Horizontal	Horizontal
125.0 x 2	125.0 x 2	125.0 x 2
100	100	100
1,666.70	1,666.70	1,666.70
3	3	3
9.52	9.52	9.52
3/8	3/8	3/8
19.05	19.05	19.05
3/4	3/4	3/4
15.88	15.88	15.88
5/8	5/8	5/8
150	150	150
50	50	50
0.75-1.50	0.75-1.50	0.75-1.50
R410A (Fluorinated greenhouse gas, GWP=2,088)		
3.2	3.2	3.3
6.7	6.7	6.9
52	52	53
67	68	70
95.0	95.0	98.0
940 x 1,210 x 330	940 x 1,210 x 330	940 x 1,210 x 330
-5.0-48.0	-5.0-48.0	-5.0-48.0
-25.0-26.0	-25.0-26.0	-25.0-26.0

<sup>1</sup>Performances are based on the following test conditions:  
 - Cooling: Indoor temperature: 27 °C DB, 19 °C WB, Outdoor temperature: 35 °C DB, 24 °C WB  
 - Heating: Indoor temperature: 20 °C DB, 15 °C WB, Outdoor temperature: 7 °C DB, 6 °C WB  
 - Equivalent refrigerant piping: 7.5 m, Level differences: 0 m

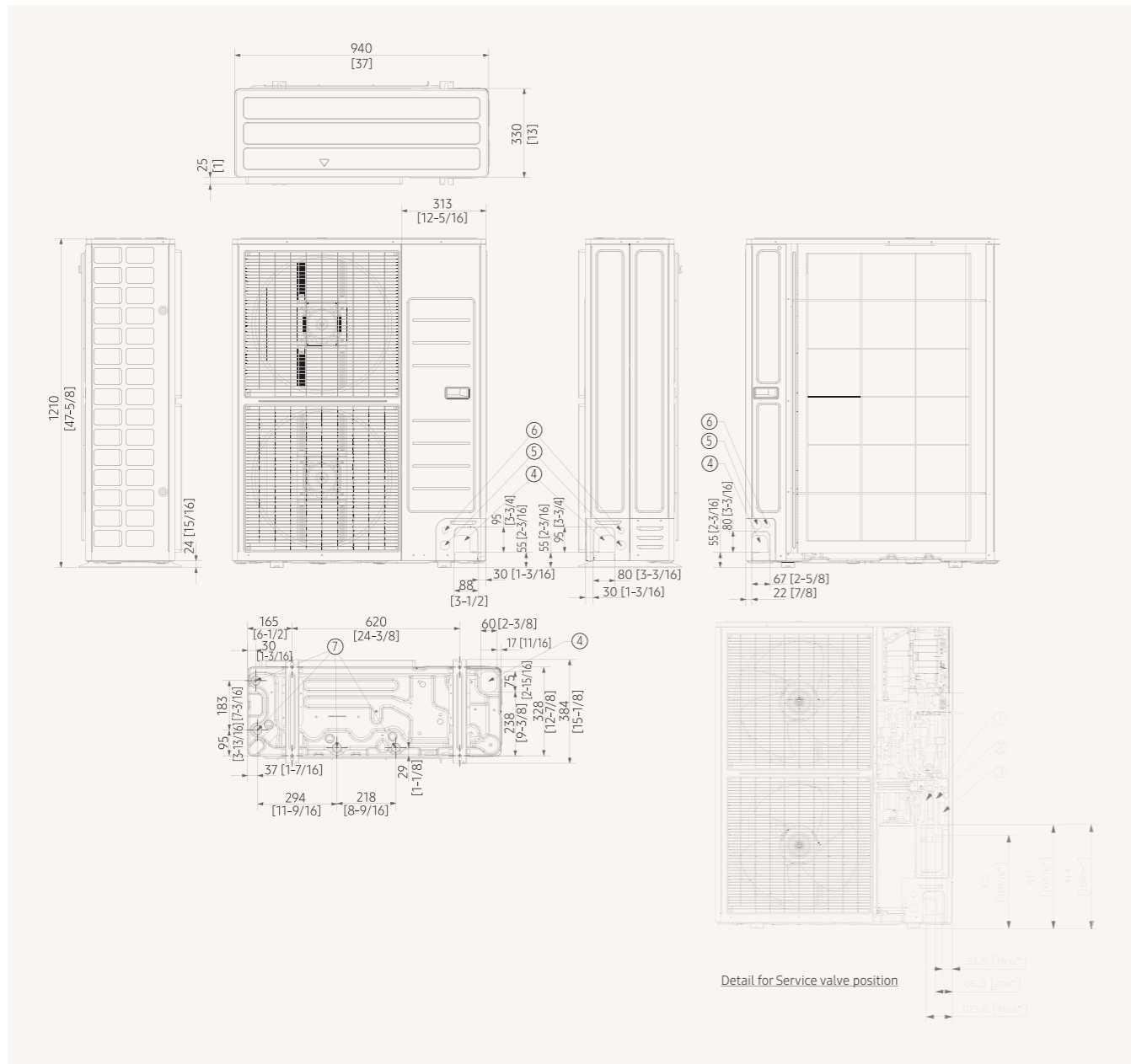
<sup>2</sup>Sound pressure level is obtained in an anechoic room. Sound pressure level is a relative value, depending on the distance and acoustic environment. Sound pressure level may differ according to operating conditions. Sound power level is an absolute value that a sound source generates.



# Dimensional drawings

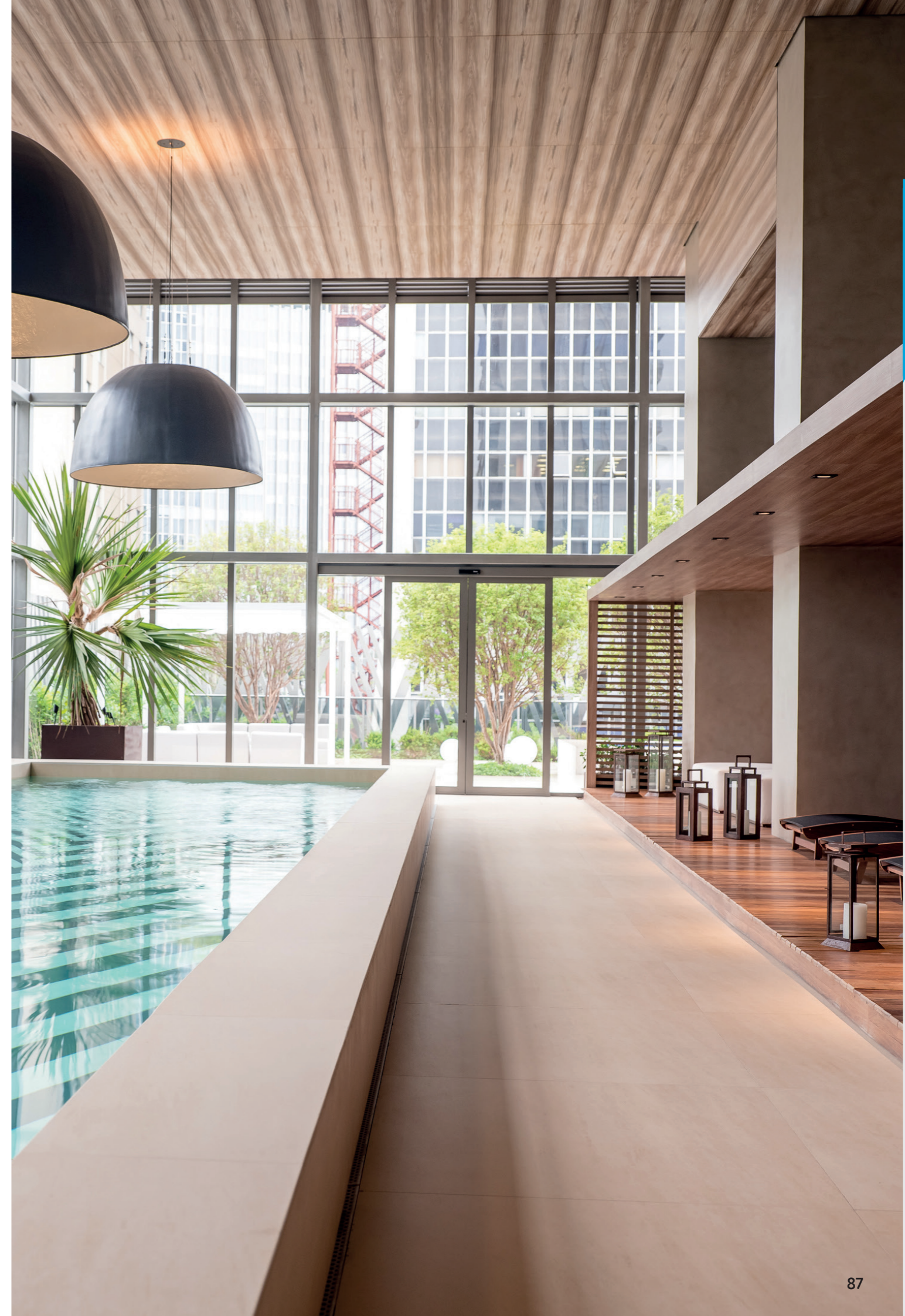
## DVM S Eco Heat Recovery (With Heat Recovery Changer Kit)

AM\*\*\*NXMD\*R/EU



Detail for Service valve position

NO	Name	Description	
		4/5 hp	6 hp
1	Refrigerant liquid pipe	ø9.52 (ø3/8)	
2	Refrigerant gas pipe	ø15.88 (ø5/8)	ø19.05 (ø3/4)
3	Knock-out hole for pipe intake	Front/Side/Rear/Bottom	
4	Power wiring conduits	Front/Side/Rear, ø34.00 (ø1 3/8)	
5	Communication wiring conduits	Front/Side/Rear, ø22.00 (ø7/8)	
6	Drain holes	Connect with the provided drain plug.	



# Specifications

## DVM S2 High EER Heat Recovery (3-Pipe)

- Erp (Ecodesign) compliant and Eurovent certified
- Advanced Flash Injection™ technology
- Active AI Pressure Control
- Active AI Defrost

- Active AI Refrigerant analysis
- Durafin™ Ultra Heat Exchanger Fin
- Optional Slimmer Liquid Pipe
- On-device Inverter Checker™



<sup>1</sup> Performances are based on the following test conditions:  
 - Cooling: Indoor temperature: 27 °C DB, 19 °C WB, Outdoor temperature: 35 °C DB, 24 °C WB  
 - Heating: Indoor temperature: 20 °C DB, 15 °C WB, Outdoor temperature: 7 °C DB, 6 °C WB  
 - Equivalent refrigerant piping: 7.5 m, Level differences: 0 m

<sup>2</sup> Sound pressure level is obtained in an anechoic room. Sound pressure level is a relative value, depending on the distance and acoustic environment. Sound pressure level may differ according to operating conditions. Sound power level is an absolute value that a sound source generates.

<sup>3</sup> ODU: Outdoor Unit, IDU: Indoor Unit



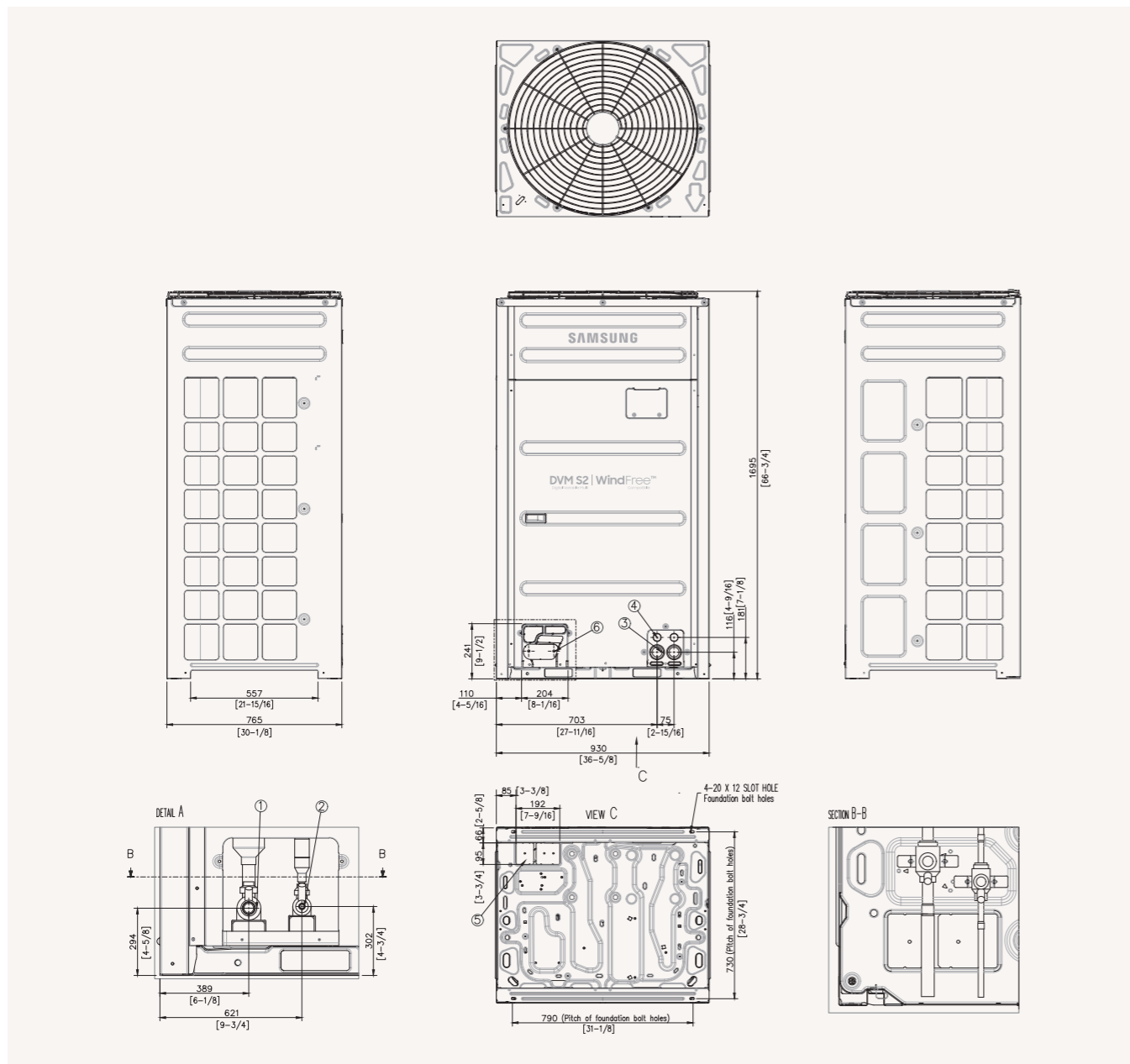
Model			AM080AXVGG/ER	AM100AXVGG/ER	AM120AXVGG/ER	
Power Supply	Φ, #, V, Hz		3Φ, 4, 380-415 V, 50 Hz	3Φ, 4, 380-415 V, 50 Hz	3Φ, 4, 380-415 V, 50 Hz	
Mode			HEAT RECOVERY	HEAT RECOVERY	HEAT RECOVERY	
Performance	hp	hp	8	10	12	
	Capacity	Cooling	kW	22.4	28.0	33.6
		Heating	kW	22.4	28.0	33.6
	Maximum number of connectable indoor units	ea	14	18	21	
	Total capacity of the connected indoor units	Min.	kW	11.2	14.0	16.8
		Max.	kW	29.1	36.4	43.7
Power	Current Input	Cooling	A	11.44	15.97	19.25
		Heating	A	9.09	11.41	14.37
	Current	Minimum SSC value	MVA	3.0	3.4	4.0
		MCA	A	18.0	21.1	25.0
		MFA	A	25	32	32
Energy Efficiency <sup>1</sup>	SEER	W/W	7.2	6.9	6.9	
	SCOP	W/W	4.5	4.4	4.56	
	ηs.c	%	285	273	273	
	ηs.h	%	177	173	179.4	
	Compressor	Output		4.6 x 1	6.67 x 1	6.67 x 1
Oil		Type		PVE	PVE	
Initial Charge		cc x n	900 x 1	1,100 x 1	1,100 x 1	
Fan	Type		Propeller	Propeller	Propeller	
	Discharge direction		Top	Top	Top	
	Number of Fans	ea	1	1	1	
	Airflow Rate	m³/min	164	181	196	
		l/s	2,738	3,019	3,260	
	External Static Pressure	Max.	mmAq	11	11	11
Fan Motor	Type		BLDC Motor	BLDC Motor	BLDC Motor	
	Output	W x n	630 x 1	630 x 1	630 x 1	
	Piping Connections	Liquid Pipe	ø, mm	9.52	9.52	12.70
ø, inch			3/8	3/8	1/2	
Gas Pipe		ø, mm	19.05	22.22	28.58	
		ø, inch	3/4	7/8	1 1/8	
High Pressure Gas Pipe (HR Only)		ø, mm	15.88	19.05	19.05	
		ø, inch	5/8	3/4	3/4	
Piping length (ODU-IDU) <sup>3</sup>		Max. (Equiv.)	m	200 [220]	200 [220]	200 [220]
Piping length (1st Branch - IDU) <sup>3</sup>		Max.	m	90	90	90
Total piping length (System)		Max.	m	1,000	1,000	1,000
Level difference (ODU in highest position) <sup>3</sup>		Max.	m	110	110	110
Level difference (IDU in highest position) <sup>3</sup>	Max.	m	110	110	110	
Level Difference (IDU-IDU) <sup>3</sup>	Max.	m	-	-	-	
Wiring Connections	Transmission Cable	mm²	0.75	0.75	0.75	
	Remark		F1, F2	F1, F2	F1, F2	
Refrigerant	Type		R410A (Fluorinated greenhouse gas, GWP=2,088)			
	Factory Charging	kg	7.0	7.0	7.0	
		tCO <sub>2</sub> e		14.62	14.62	14.62
Sound	Sound Pressure <sup>2</sup>	Cooling	dB(A)	53	56	61
		Heating	dB(A)	58	60	63
	Sound Power	dB(A)		75	78	81
External Dimensions	Net Weight	kg	199	211	211	
	Net Dimensions (W x H x D)	mm	930 x 1,695 x 765	930 x 1,695 x 765	930 x 1,695 x 765	
Operating Temperature Range	Cooling	°C	-5-50	-5-50	-5-50	
	Heating	°C	-25-24	-25-24	-25-24	

AM140AXVGG/ER	AM160AXVGG/ER	AM180AXVGG/ER	AM200AXVGG/ER	AM220AXVGG/ER	AM240AXVGG/ER	AM260AXVGG/ER
3Φ, 4, 380-415 V, 50 Hz	3Φ, 4, 380-415 V, 50 Hz	3Φ, 4, 380-415 V, 50 Hz	3Φ, 4, 380-415 V, 50 Hz	3Φ, 4, 380-415 V, 50 Hz	3Φ, 4, 380-415 V, 50/60 Hz	3Φ, 4, 380-415 V, 50/60 Hz
HEAT RECOVERY	HEAT RECOVERY	HEAT RECOVERY	HEAT RECOVERY	HEAT RECOVERY	HEAT RECOVERY	HEAT RECOVERY
14	16	18	20	22	24	26
40.0	45.0	50.4	56.0	61.6	67.2	72.8
40.0	45.0	50.4	56.0	61.6	67.2	68.0
26	29	32	36	40	43	47
20.0	22.5	25.2	28.0	30.8	33.6	36.4
52.0	58.5	65.5	72.8	80.1	87.4	94.6
25.44	26.96	26.79	38.63	44.15	48.62	57.61
17.06	19.35	21.14	25.72	27.29	44.20	45.11
4.4	5.2	6.4	7.0	7.4	9.3	10.2
27.0	32.0	39.2	43.0	46.0	55.0	60.0
32	40	50	63	63	63	75
6.7	6.9	7.5	6.5	6.2	5.9	5.4
4.25	4.3	4.8	4.5	4.3	3.9	3.9
265	273	297	257	245	233	213
167	169	189	177	169	153	153
6.67 x 1	8.93 x 1	8.93 x 1	8.93 x 1	6.67 x 2	6.67 x 2	6.67 x 2
PVE	PVE	PVE	PVE	PVE	PVE	PVE
1,100 x 1	1,400 x 1	1,400 x 1	1,400 x 1	1,100 x 2	1,100 x 2	1,100 x 2
Propeller	Propeller	Propeller	Propeller	Propeller	Propeller	Propeller
Top	Top	Top	Top	Top	Top	Top
2	2	2	2	2	2	2
291	292	313	313	342	365	365
4,852	4,866	5,209	5,209	5,698	6,089	6,089
11	11	11	11	11	8	8
110	110	110	110	110	80	80
BLDC Motor	BLDC Motor	BLDC Motor	BLDC Motor	BLDC Motor	BLDC Motor	BLDC Motor
620 x 2	620 x 2	620 x 2	620 x 2	620 x 2	620 x 2	620 x 2
12.70	12.70	15.88	15.88	15.88	15.88	19.05
1/2	1/2	5/8	5/8	5/8	5/8	3/4
28.58	28.58	28.58	28.58	28.58	34.92	34.92
11/8	11/8	11/8	11/8	11/8	1 3/8	1 3/8
22.22	22.22	22.22	28.58	28.58	28.58	28.58
7/8	7/8	7/8	1-1/8	1-1/8	1-1/8	1-1/8
200 [220]	200 [220]	200 [220]	200 [220]	200 [220]	200 [220]	200 [220]
90	90	90	90	90	90	90
1,000	1,000	1,000	1,000	1,000	1,000	1,000
110	110	110	110	110	110	110
110	110	110	110	110	110	110
-	-	-	-	-	-	-
0.75	0.75	0.75	0.75	0.75	0.75	0.75
F1, F2	F1, F2	F1, F2	F1, F2	F1, F2	F1, F2	F1, F2
			R410A (Fluorinated greenhouse gas, GWP=2,088)			
8.0	10.5	10.5	10.5	10.5	14.0	14.0
16.70	21.92	21.92	21.92	21.92	29.23	29.23
58	58	59	61	64	65	65
61	61	63	63	65	67	67
81	81	81	84	86	87	87
237	268	274	274	309	332	332
1,295 x 1,695 x 765	1,295 x 1,695 x 765	1,295 x 1,695 x 765	1,295 x 1,695 x 765	1,295 x 1,695 x 765	1,295 x 1,695 x 765	1,295 x 1,695 x 765
-5-50	-5-50	-5-50	-5-50	-5-50	-5-50	-5-50
-25-24	-25-24	-25-24	-25-24	-25-24	-25-24	-25-24

# Dimensional drawings

## DVM S2 High EER Heat Recovery (3-Pipe)

AM080/100/120AXVGR/EU



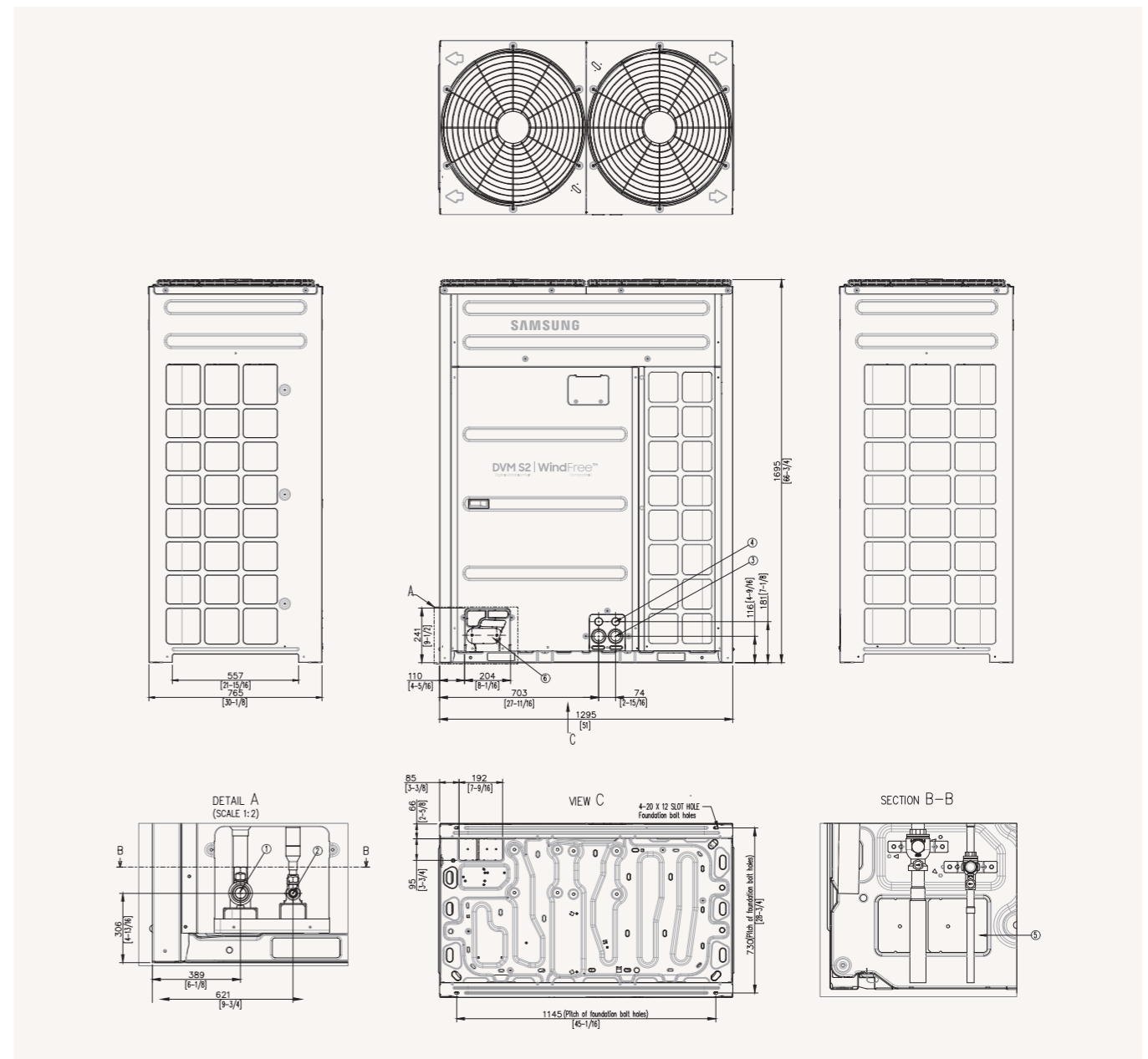
NO	Name	Description
1	Low Pressure Gas Ref.pipe	See NOTE 4.
2	High Pressure Ref.pipe	See NOTE 4.
3	Liquid Ref.pipe	See NOTE 4.
4	Power wiring conduit	Ø44
5	Communication wiring conduit	Ø34
6	Knock-out Hole for Ref.Piping (bottom)	
7	Knock-out Hole for Ref.Piping (front)	

**Note:**

- Detail A and SECTION B-B indicate the dimension after fixing the attached piping.
- Item 3-7: Knock-out hole
- View C indicate the dimension of knock-out hole (bottom)
- Pipe Ø, mm(inch): Brazing connection

HP	Liquid pipe	Low Pressure Gas pipe	High Pressure Gas pipe
8	9.52(3/8)	19.05(3/4)	15.88(5/8)
10	9.52(3/8)	22.22(7/8)	19.05(3/4)
12	12.70(1/2)	28.58(1-1/8)	19.05(3/4)
14	12.70(1/2)	28.58(1-1/8)	22.22(7/8)
16	12.70(1/2)	28.58(1-1/8)	22.22(7/8)
18	15.88(5/8)	28.58(1-1/8)	22.22(7/8)
20	15.88(5/8)	28.58(1-1/8)	28.58(1-1/8)
22	15.88(5/8)	28.58(1-1/8)	28.58(1-1/8)
24	15.88(5/8)	34.92(1-3/8)	28.58(1-1/8)
26	19.05(3/4)	34.92(1-3/8)	28.58(1-1/8)

AM140/160/180/200/240/260AXVGR/EU



NO	Name	Description
1	Low Pressure Gas Ref.pipe	See NOTE 4.
2	High Pressure Ref.pipe	See NOTE 4.
3	Liquid Ref.pipe	See NOTE 4.
4	Power wiring conduit	Ø44
5	Communication wiring conduit	
6	Knock-out Hole for Ref.Piping (bottom)	
7	Knock-out Hole for Ref.Piping (front)	

**Note:**

- Detail A and SECTION B-B indicate the dimension after fixing the attached piping.
- Item 3-7: Knock-out hole
- View C indicate the dimension of knock-out hole (bottom)
- Pipe Ø, mm(inch): Brazing connection

HP	Liquid pipe	Low Pressure Gas pipe	High Pressure Gas pipe
8	9.52(3/8)	19.05(3/4)	15.88(5/8)
10	9.52(3/8)	22.22(7/8)	19.05(3/4)
12	12.70(1/2)	28.58(1-1/8)	19.05(3/4)
14	12.70(1/2)	28.58(1-1/8)	22.22(7/8)
16	12.70(1/2)	28.58(1-1/8)	22.22(7/8)
18	15.88(5/8)	28.58(1-1/8)	22.22(7/8)
20	15.88(5/8)	28.58(1-1/8)	28.58(1-1/8)
22	15.88(5/8)	28.58(1-1/8)	28.58(1-1/8)
24	15.88(5/8)	34.92(1-3/8)	28.58(1-1/8)
26	19.05(3/4)	34.92(1-3/8)	28.58(1-1/8)

# Specifications

## DVM S Water

- Water Cooled, Variable Refrigerant Flow Heat Pump/Heat Recovery Unit R410A.
- Suitable for indoor and outdoor installation
- Each unit houses one (8-12 hp) or two (20-30 hp) Inverter Scroll compressors with Flash Injection technology.



MkW				AM080MXWANR/EU	AM100MXWANR/EU	AM120MXWANR/EU	
Power Supply				Φ, #, V, Hz	3Φ, 4, 380-415 V, 50/60 Hz	3Φ, 4, 380-415 V, 50/60 Hz	3Φ, 4, 380-415 V, 50/60 Hz
Performance	hp			hp	8	10	12
	Capacity (Nominal)	Cooling		kW	22.4	28.0	33.6
		Heating		kW	25.2	31.5	37.8
	Maximum number of connectable indoor units			ea	14	18	22
	Total capacity of the connected indoor units	Min.		kW	11.2	14.0	16.8
Max.			kW	29.1	36.4	43.7	
Power	Power Input (Nominal)	Cooling		kW	3.67	4.87	6.00
		Heating		kW	3.97	5.04	6.25
	Current Input (Nominal)	Cooling		A	5.9	8.1	9.6
		Heating		A	6.4	8.4	10.0
	Current	Minimum SSC value		MVA	3.9	3.9	4.8
		MCA		A	16.1	16.1	20.0
MFA			A	20	20	25	
COP <sup>1</sup>	Nominal Cooling		W/W	6.10	5.75	5.60	
	Nominal Heating		W/W	6.35	6.25	6.05	
Compressor	Type		-	Inverter Scroll	Inverter Scroll	Inverter Scroll	
	Output		kW × n	4.96 × 1	4.96 × 1	6.13 × 1	
	Oil	Type	-	PVE	PVE	PVE	
Initial Charge		cc	3,900	3,900	3,900		
Condenser	Type		-	Plate Heat Exchanger	Plate Heat Exchanger	Plate Heat Exchanger	
	Pipe Size		ø, inch	PT 1 1/4	PT 1 1/4	PT 1 1/4	
	Pressure Drop		kPa	22	30	43	
	Water Flow Rate		l/min	80	96	114	
	Max. Pressure		MPa	1.96	1.96	1.96	
	Liquid Pipe			ø, mm	9.52	9.52	12.70
				ø, inch	3/8	3/8	1/2
	Gas Pipe			ø, mm	19.05	22.22	28.58
				ø, inch	3/4	7/8	1 1/8
Piping Connections	Discharge Gas Pipe		ø, mm	15.88	19.05	19.05	
			ø, inch	5/8	3/4	3/4	
	Piping length	Outdoor-Indoor	Max.	m	170 (190)	170 (190)	170 (190)
		After branch	Max.	m	90	90	90
	Total piping length		System	Actual	m	500	500
	Level difference	Outdoor-Indoor	Outdoor unit in highest position	m	50	50	50
Indoor unit in highest position				m	40	40	40
Indoor-Indoor		Max.	m	50	50	50	
Wiring Connections	Communication	Minimum	mm <sup>2</sup>	0.75	0.75	0.75	
	Remark		-	F1, F2	F1, F2	F1, F2	
Refrigerant	Type		-	R410A(Fluorinated greenhouse gas, GWP=2,088)			
	Factory Charging		kg	5.5	5.8	6.0	
			tCO <sub>2</sub> e	11.48	12.11	12.53	
Sound	Sound Pressure <sup>2</sup>	Cooling	dB(A)	48	48	50	
		Heating	dB(A)	51	51	52	
	Sound Power		dB(A)	70	70	70	
External Dimensions	Net Weight		kg	160.0	160.0	160.0	
	Net Dimensions (W x H x D)		mm	770 x 1,000 x 545	770 x 1,000 x 545	770 x 1,000 x 545	
Operating Temperature Range	Cooling		°C	10.0-45.0	10.0-45.0	10.0-45.0	
	Heating		°C	10.0-45.0	10.0-45.0	10.0-45.0	

AM200MXWANR/EU	AM300KXWANR/EU
3Φ, 4, 380-415 V, 50/60 Hz	3Φ, 4, 380-415 V, 50/60 Hz
20	30
56.0	84
63	94.5
36	55
28.0	42.0
72.8	109.2
10.77	16.80
10.86	16.88
17.3	26.4
17.4	26.5
7.7	-
32.2	48.0
40	63
5.20	5.00
5.80	5.60
Inverter Scroll	SSC Scroll x 2
4.96 x 2	6.75 x 2
PVE	PVE
6,200	6,200
Plate Heat Exchanger	Plate Heat Exchanger
PT 1 1/4	PT 2
54	50
190	285
1.96	1.96
15.88	19.05
5/8	3/4
28.58	34.92
11/8	1 3/8
28.58	28.58
11/8	1 1/8
170 (190)	170 (190)
90	90
500	500
50	50
40	40
50	50
0.75	0.75
F1, F2	F1, F2
R410A(Fluorinated greenhouse gas, GWP=2,088)	
9.8	11.0
20.46	22.96
51	55
52	58
73	75
240.0	280.0
1,100 x 1,000 x 545	1,100 x 1,000 x 545
10.0-45.0	10.0-45.0
10.0-45.0	10.0-45.0

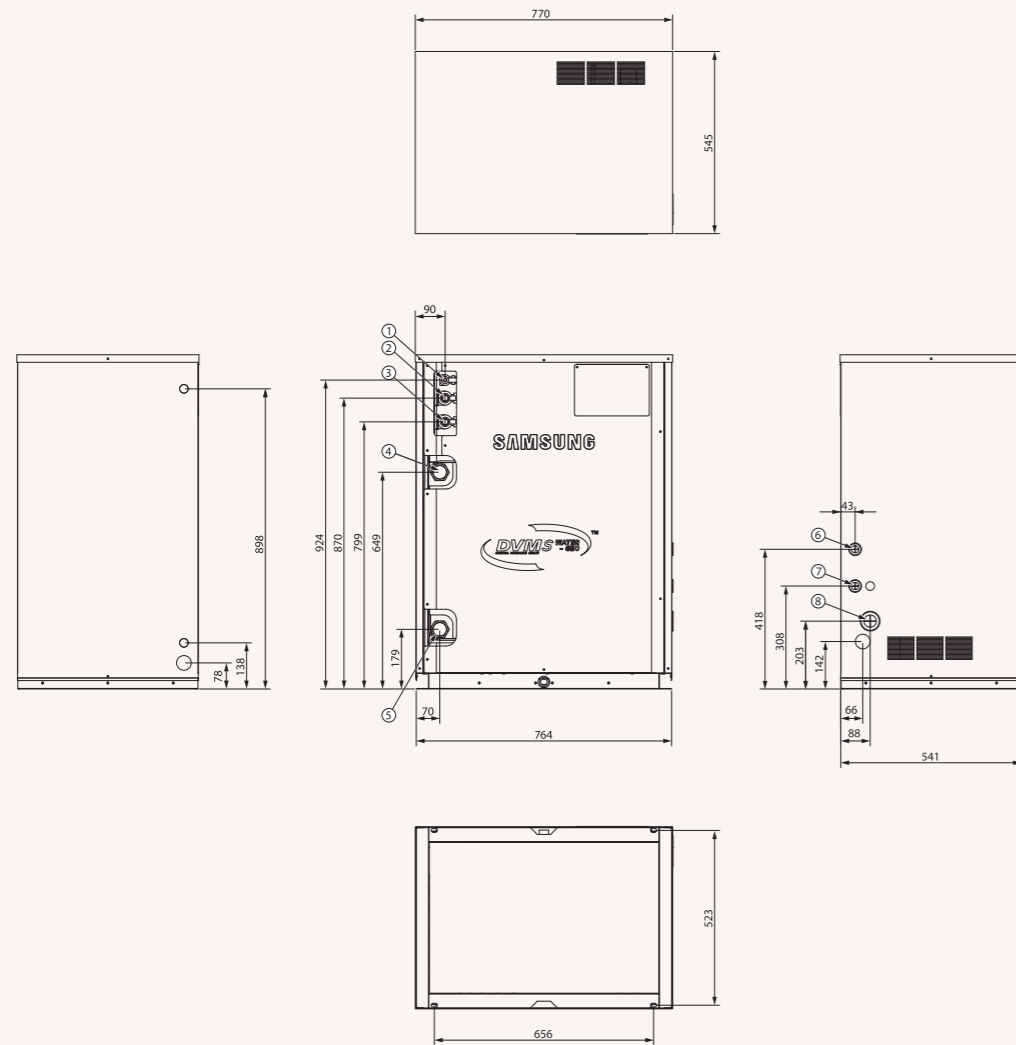
<sup>1</sup>Performances are based on the following test conditions:  
 - Cooling: Indoor temperature: 27 °C DB, 19 °C WB, Inlet water temperature: 30 °C  
 - Heating: Indoor temperature: 20 °C DB, 15 °C WB, Inlet water temperature: 20 °C  
 - Equivalent refrigerant piping: 7.5 m, Level differences: 0 m

<sup>2</sup>Sound pressure level is obtained in an anechoic room. Sound pressure level is a relative value, depending on the distance and acoustic environment. Sound pressure level may differ according to operating conditions. Sound power level is an absolute value that a sound source generates.

# Dimensional Drawing

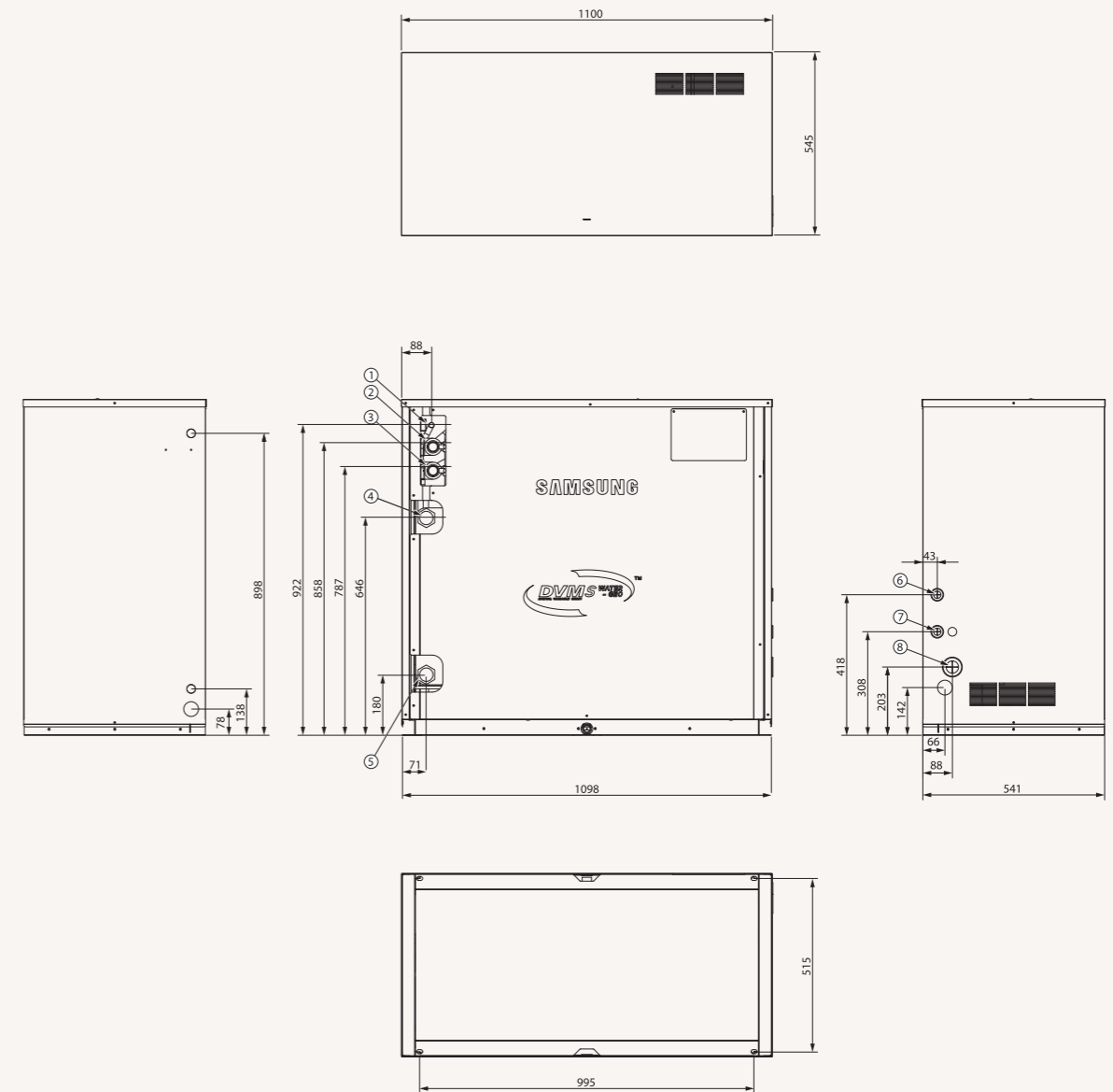
## DVM S Water

AM080/100/120MXWANR/EU



NO	Name	Description
1	Liquid Ref. pipe	ø19.05 (3/4)
2	High Pressure Gas Ref. pipe	ø28.58 (1 1/8)
3	Low Pressure Gas Ref. pipe	ø 34.92 (1 3/8)
4	Water outlet pipe	PT 2
5	Water inlet pipe	PT 2
6	Communication wiring conduits	
7	External contact wiring	
8	Power wiring conduits	

AM200MXWANR/EU



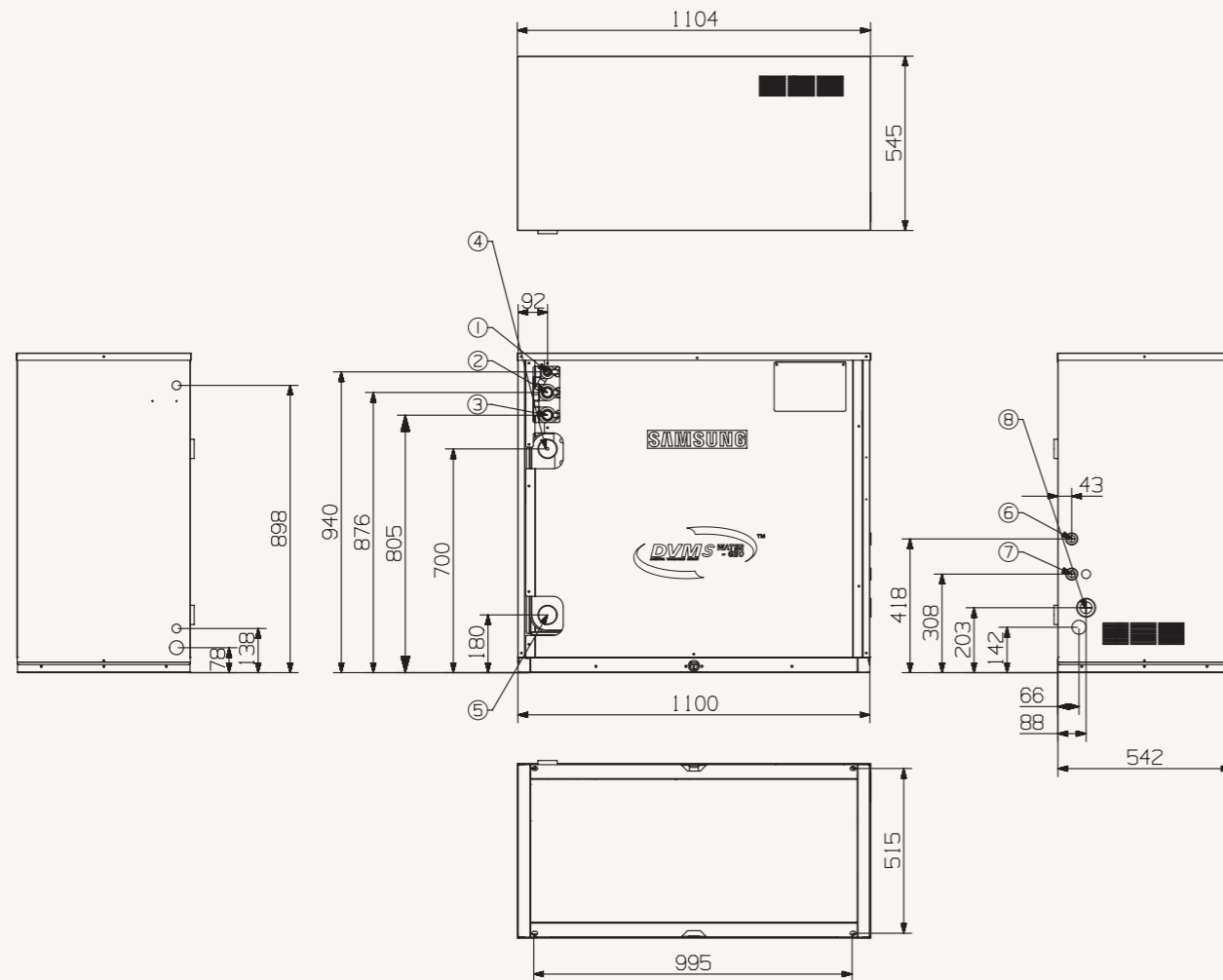
NO	Name	Description
1	Liquid Ref. pipe	15.88 (5/8)
2	High Pressure Gas Ref. pipe	ø28.58 (1 1/8)
3	Low Pressure Gas Ref. pipe	ø28.58 (1 1/8)
4	Water outlet pipe	PT 1 1/4
5	Water inlet pipe	PT 1 1/4
6	Communication wiring conduits	
7	External contact wiring	
8	Power wiring conduits	



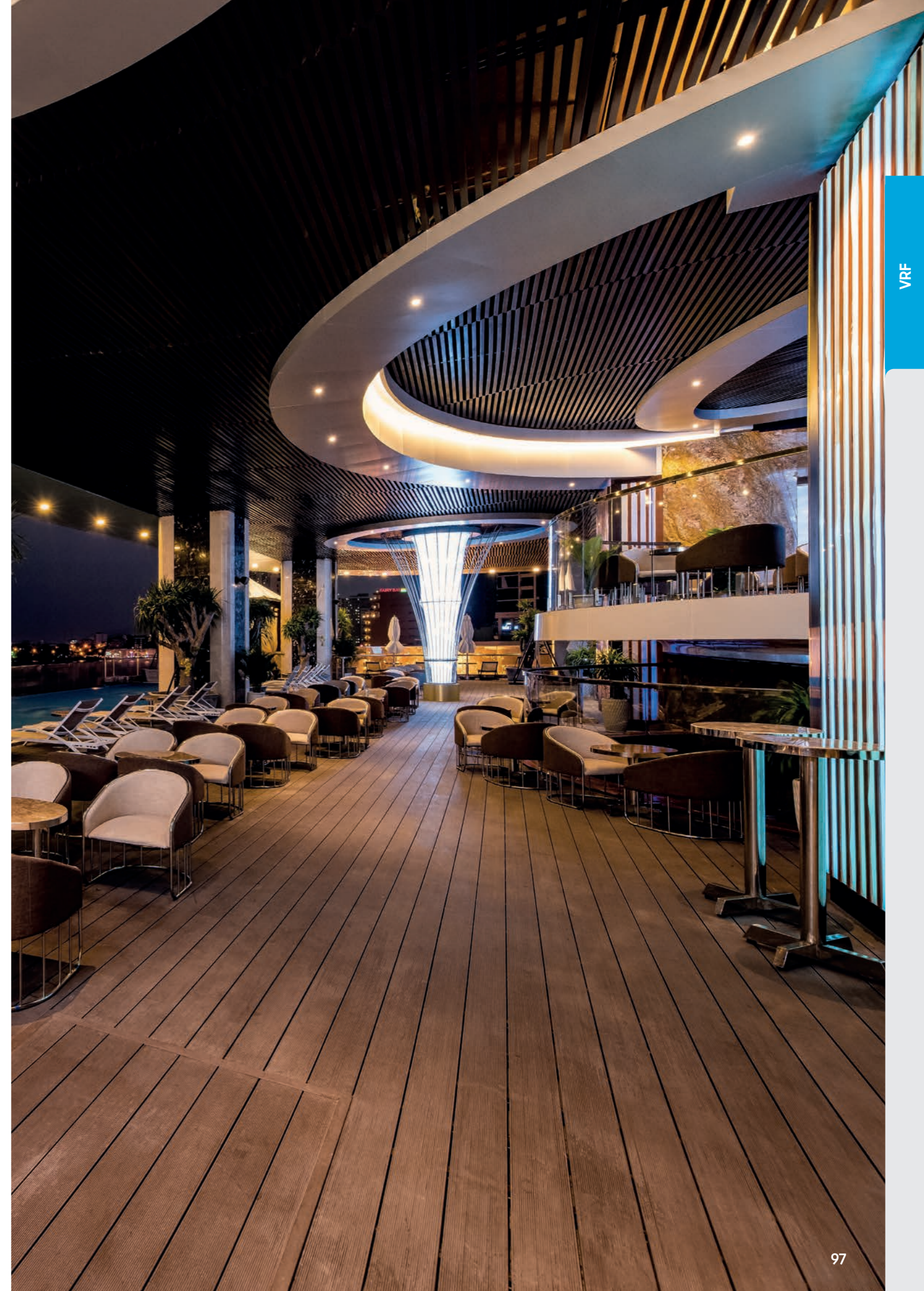
# Dimensional Drawing

DVM S Water

AM300MXWANR/EU



NO	Name	Description
1	Liquid Ref. pipe	ø19.05 (3/4)
2	High Pressure Gas Ref. pipe	ø28.58 (1 1/8)
3	Low Pressure Gas Ref. pipe	ø 34.92 (1 3/8)
4	Water outlet pipe	PT 2
5	Water inlet pipe	PT 2
6	Communication wiring conduits	
7	External contact wiring	
8	Power wiring conduits	



# Specifications

## WindFree™ 4-Way 600 x 600 Cassette

- Fast Cooling mode and WindFree™ Cooling mode.
- Four-way air supply via independently adjustable blades.
- Built-in condensation drain pump and humidity sensor.
- Direct drive fan powered by a BLDC motor.
- Compatible with Wi-Fi Kit controller.
- Optional Motion Detect Sensor.
- Optional SPI Kit.



Model				AM015NNNDEH/EU	AM022NNNDEH/EU	AM028NNNDEH/EU
Power Supply		Φ, #, V, Hz		1Φ, 2, 220-240 V, 50 Hz	1Φ, 2, 220-240 V, 50 Hz	1Φ, 2, 220-240 V, 50 Hz
Performance	Capacity	Cooling	kW	1.5	2.2	2.8
		Heating	kW	1.7	2.5	3.2
Power	Power Input	Cooling	W	18	18	18
		Heating	W	18	18	18
	Current Input	Cooling	A	0.17	0.17	0.17
		Heating	A	0.17	0.17	0.17
	Current	MCA	A	0.2	0.2	0.2
		MFA	A	15	15	15
Fan	Type		-	Turbo Fan	Turbo Fan	Turbo Fan
	Number of Fans	ea		1	1	1
	Airflow Rate	H/M/L	m <sup>3</sup> /min		8.2/7.0/6.3	9.0/7.7/6.5
		l/s		137/117/105	150/128/108	167/142/125
Fan Motor	Model		-	BLDC Motor	BLDC Motor	BLDC Motor
	Output x n	W		65 x 1	65 x 1	65 x 1
Piping Connections	Liquid Pipe	ø, mm		6.35	6.35	6.35
		ø, inch		1/4	1/4	1/4
	Gas Pipe	ø, mm		12.7	12.7	12.7
		ø, inch		1/2	1/2	1/2
Drain Pipe	ø, mm		VP25 (OD 32, ID 25)	VP25 (OD 32, ID 25)	VP25 (OD 32, ID 25)	
Wiring Connections	Communication	Min.	mm <sup>2</sup>	0.75	0.75	0.75
		Remark		-	F1, F2	F1, F2
Refrigerant	Type			R410A(Fluorinated greenhouse gas, GWP=2,088)		
	Electronic Expansion Valve			EEV INCLUDED	EEV INCLUDED	EEV INCLUDED
Sound	Sound Pressure <sup>1</sup>	H/M/L	dB(A)	30.0/28.0/23.0	32.0/29.0/25.0	33.0/30.0/26.0
		Cooling	dB(A)	46	47	50
Dimensions	Net Weight	kg		12.0	12.0	12.0
	Net Dimensions (W × H × D)	mm		575 x 250 x 575	575 x 250 x 575	575 x 250 x 575
Panel	Model Name			PC4SUFMAN	PC4SUFMAN	PC4SUFMAN
Drain Pump	Drain Pump			INCLUDED	INCLUDED	INCLUDED
	Max. Lifting Height/Displacement	mm / litres/h		750/24	750/24	750/24

AM036NNNDEH/EU	AM045NNNDEH/EU	AM056NNNDEH/EU	AM060NNNDEH/EU
1Φ, 2, 220-240 V, 50 Hz	1Φ, 2, 220-240 V, 50 Hz	1Φ, 2, 220-240 V, 50 Hz	1Φ, 2, 220-240 V, 50 Hz
3.6	4.5	5.6	6.0
4.0	5.0	6.3	6.8
20	23	28	31
20	23	28	31
0.19	0.22	0.27	0.30
0.19	0.22	0.27	0.30
0.2	0.3	0.4	0.4
15	15	15	15
Turbo Fan	Turbo Fan	Turbo Fan	Turbo Fan
1	1	1	1
10.5/9.5/8.0	11.5/10.2/9.0	13.0/11.0/9.5	13.5/12.0/10.2
175/158/133	192/170/150	217/183/158	225/200/170
BLDC Motor	BLDC Motor	BLDC Motor	BLDC Motor
65 x 1	65 x 1	65 x 1	65 x 1
6.35	6.35	6.35	6.35
1/4	1/4	1/4	1/4
12.7	12.7	12.7	12.7
1/2	1/2	1/2	1/2
VP25 (OD 32, ID 25)	VP25 (OD 32, ID 25)	VP25 (OD 32, ID 25)	VP25 (OD 32, ID 25)
0.75	0.75	0.75	0.75
F1, F2	F1, F2	F1, F2	F1, F2
EEV INCLUDED	EEV INCLUDED	EEV INCLUDED	EEV INCLUDED
34.0/30.0/26.0	36.0/34.0/32.0	39.0/36.0/33.0	40.0/38.0/35.0
51	53	56	57
12.0	12.0	12.0	12.0
575 x 250 x 575	575 x 250 x 575	575 x 250 x 575	575 x 250 x 575
PC4SUFMAN	PC4SUFMAN	PC4SUFMAN	PC4SUFMAN
INCLUDED	INCLUDED	INCLUDED	INCLUDED
750/24	750/24	750/24	750/24

### Accessories

Wireless Remote Controller	Simple Type Controller	Touch Controller	Wired Remote Controller	Wi-Fi Kit	External Room Sensor
AR-EH03E	MWR-SH00N	MWR-SH11N	MWR-WG00*N	MIM-H04EN	MRW-TA
Panel (Mandatory)	Motion Detect Sensor	SPI Kit			
PC4SUFMAN	MCR-SMD	MSD-CAN1			

<sup>1</sup> Sound pressure level is obtained in an anechoic room. Sound pressure level is a relative value, depending on the distance and acoustic environment. Sound pressure level may differ depending on operation conditions.

# Specifications

## WindFree™ 4-Way Cassette

- Fast Cooling mode and WindFree™ Cooling mode.
- Four-way air supply via independently adjustable blades.
- Built-in condensation drain pump and humidity sensor.
- Direct drive fan powered by a BLDC motor.

- Compatible with Wi-Fi Kit controller.
- Optional Motion Detect Sensor.
- Optional SPI Kit.
- Optional Air Purification Panel, Auto Elevation Panel




Model			AM028AN4PKH/EU	AM036AN4PKH/EU	AM045AN4PKH/EU	
<b>Power Supply</b>		Φ, #, V, Hz	1Φ, 2, 220-240 V, 50/60 Hz	1Φ, 2, 220-240 V, 50/60 Hz	1Φ, 2, 220-240 V, 50/60 Hz	
<b>Performance</b>	<b>Capacity</b>	<b>Cooling</b>	<b>kW</b>	2.8	3.6	4.5
		<b>Heating</b>	<b>kW</b>	3.2	4.0	5.0
<b>Power</b>	<b>Power Input</b>	<b>Cooling</b>	<b>W</b>	24	26	28
		<b>Heating</b>	<b>W</b>	24	26	28
	<b>Current Input</b>	<b>Cooling</b>	<b>A</b>	0.25	0.27	0.30
		<b>Heating</b>	<b>A</b>	0.25	0.27	0.30
	<b>Current</b>	<b>MCA</b>	<b>A</b>	0.3	0.4	0.4
		<b>MFA</b>	<b>A</b>	15	15	15
<b>Fan</b>	<b>Type</b>	-	Turbo Fan	Turbo Fan	Turbo Fan	
	<b>Number of Fans</b>	<b>ea</b>	1	1	1	
	<b>Airflow Rate H/M/L</b>	<b>m³/min</b>	14.4/13.4/12.4	15.4/14.4/13.4	16.3/15.4/14.4	
		<b>l/s</b>	240/223/207	255/240/223	272/257/240	
<b>Fan Motor</b>	<b>Model</b>	-	BLDC Motor	BLDC Motor	BLDC Motor	
	<b>Output x n</b>	<b>W</b>	65 x 1	65 x 1	65 x 1	
	<b>Liquid Pipe</b>	<b>ø, mm</b>	6.35	6.35	6.35	
		<b>ø, inch</b>	1/4	1/4	1/4	
<b>Piping Connections</b>	<b>Gas Pipe</b>	<b>ø, mm</b>	12.70	12.70	12.70	
		<b>ø, inch</b>	1/2	1/2	1/2	
	<b>Drain Pipe</b>	<b>ø, mm</b>	VP25 (OD 32, ID 25)	VP25 (OD 32, ID 25)	VP25 (OD 32, ID 25)	
<b>Wiring Connections</b>	<b>Communication</b>	<b>Minimum</b>	0.75	0.75	0.75	
	<b>Remark</b>	-	F1, F2	F1, F2	F1, F2	
<b>Refrigerant</b>	<b>Type</b>	-	R410A(Fluorinated greenhouse gas, GWP=2,088)			
	<b>Electronic Expansion Valve</b>	-	EEV INCLUDED	EEV INCLUDED	EEV INCLUDED	
<b>Sound</b>	<b>Sound Pressure<sup>1</sup></b>	<b>H/M/L</b>	<b>dB(A)</b>	30.0/28.0/27.0	31.0/30.0/28.0	33.0/31.0/29.0
	<b>Sound Power</b>	<b>Cooling</b>	<b>dB(A)</b>	46	47	49
<b>Dimensions</b>	<b>Net Weight</b>	<b>kg</b>	15.0	15.0	15.0	
	<b>Net Dimensions (W × H × D)</b>	<b>mm</b>	840 x 204 x 840	840 x 204 x 840	840 x 204 x 840	
<b>Panel</b>	<b>Model Name</b>	-	PC4NUFMAN	PC4NUFMAN	PC4NUFMAN	
<b>Drain Pump</b>	<b>Drain Pump</b>	-	INCLUDED	INCLUDED	INCLUDED	
	<b>Max. Lifting Height/Displacement</b>	<b>mm / litres/h</b>	750 / 24	750 / 24	750/24	



	AM056AN4PKH/EU	AM071AN4PKH/EU	AM090AN4PKH/EU	AM112AN4PKH/EU	AM128AN4PKH/EU	AM140AN4PKH/EU
	1Φ, 2, 220-240 V, 50/60 Hz	1Φ, 2, 220-240 V, 50/60 Hz	1Φ, 2, 220-240 V, 50/60 Hz	1Φ, 2, 220-240 V, 50/60 Hz	1Φ, 2, 220-240 V, 50/60 Hz	1Φ, 2, 220-240 V, 50/60 Hz
	5.6	7.1	9.0	11.2	12.8	14.0
	6.3	8.0	10.0	12.5	13.8	16.0
	32	34	55	78	95	115
	32	34	55	78	95	115
	0.32	0.35	0.45	0.60	0.75	0.85
	0.32	0.35	0.45	0.60	0.75	0.85
	0.4	0.5	0.6	0.8	1.0	1.1
	15	15	15	15	15	15
	Turbo Fan	Turbo Fan	Turbo Fan	Turbo Fan	Turbo Fan	Turbo Fan
	1	1	1	1	1	1
	16.4/14.6/12.8	18.2/15.4/12.8	24.4/19.9/15.5	26.6/21.0/15.5	35.4/29.2/24.3	37.9/31.7/25.5
	273/243/213	303/257/213	407/332/258	43/350/258	590/487/405	632/528/425
	BLDC Motor	BLDC Motor	BLDC Motor	BLDC Motor	BLDC Motor	BLDC Motor
	65 x 1	65 x 1	65 x 1	65 x 1	97 x 1	97 x 1
	6.35	9.52	9.52	9.52	9.52	9.52
	1/4	3/8	3/8	3/8	3/8	3/8
	12.70	15.88	15.88	15.88	15.88	15.88
	1/2	5/8	5/8	5/8	5/8	5/8
	VP25 (OD 32, ID 25)	VP25 (OD 32, ID 25)	VP25 (OD 32, ID 25)	VP25 (OD 32, ID 25)	VP25 (OD 32, ID 25)	VP25 (OD 32, ID 25)
	0.75	0.75	0.75	0.75	0.75	0.75
	F1, F2	F1, F2	F1, F2	F1, F2	F1, F2	F1, F2
			R410A(Fluorinated greenhouse gas, GWP=2,088)			
	EEV INCLUDED	EEV INCLUDED	EEV INCLUDED	EEV INCLUDED	EEV INCLUDED	EEV INCLUDED
	35.0/33.0/29.0	37.0/34.0/30.0	39.0/35.0/30.0	41.0/36.0/30.0	42.0/37.0/35.0	44.0/39.0/35.0
	51	53	55	59	58	60
	16.5	16.5	18.0	18.0	21.5	21.5
	840 x 204 x 840	840 x 204 x 840	840 x 246 x 840	840 x 246 x 840	840 x 288 x 840	840 x 288 x 840
	PC4NUFMAN	PC4NUFMAN	PC4NUFMAN	PC4NUFMAN	PC4NUFMAN	PC4NUFMAN
	INCLUDED	INCLUDED	INCLUDED	INCLUDED	INCLUDED	INCLUDED
	750/24	750/24	750/24	750/24	750/24	750/24

### Accessories

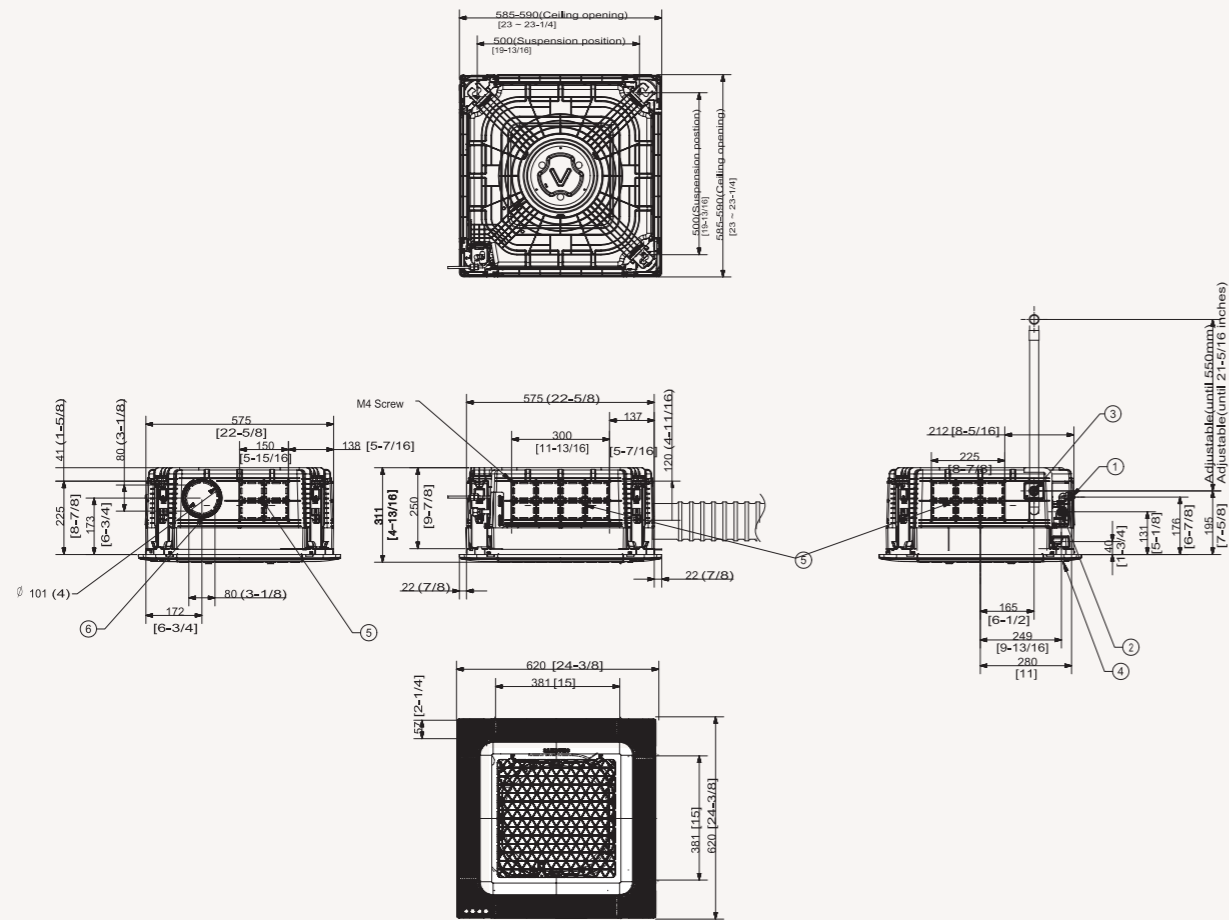
					
<b>Wireless Remote Controller</b>	<b>Simple Type Controller</b>	<b>Touch Controller</b>	<b>Wired Remote Controller</b>	<b>External Room Sensor</b>	<b>Panel (Mandatory)</b>
AR-EH03E	MWR-SH00N	MWR-SH11N	MWR-WG00*N	MRW-TA	PC4NUFMAN
					
<b>Air Purification Panel (Optional)</b>	<b>Auto Elevation Panel (Optional)</b>	<b>Motion Detect Sensor</b>	<b>SPI Kit</b>		
PC4NUCEAN	PC4NUXMAN	MCR-SMC	MSD-CAN1		

<sup>1</sup> Sound pressure level is obtained in an anechoic room. Sound pressure level is a relative value, depending on the distance and acoustic environment. Sound pressure level may differ depending on operation conditions.

# Technical Drawings

## WindFree™ 4-Way 600 x 600 Cassette

AM\*\*\*NNNDEH/EU



NO	Name	Description
1	Liquid pipe connection	ø6.35 (1/4)
2	Gas pipe connection	ø12.70 (1/2)
3	Drain pipe connection	VP25 (OD 32, ID 25)
4	Power supply/communication wiring conduits	Use M4 Screw
5	Fresh air intake knock-out hole	ø10 [4], use M4 Screw

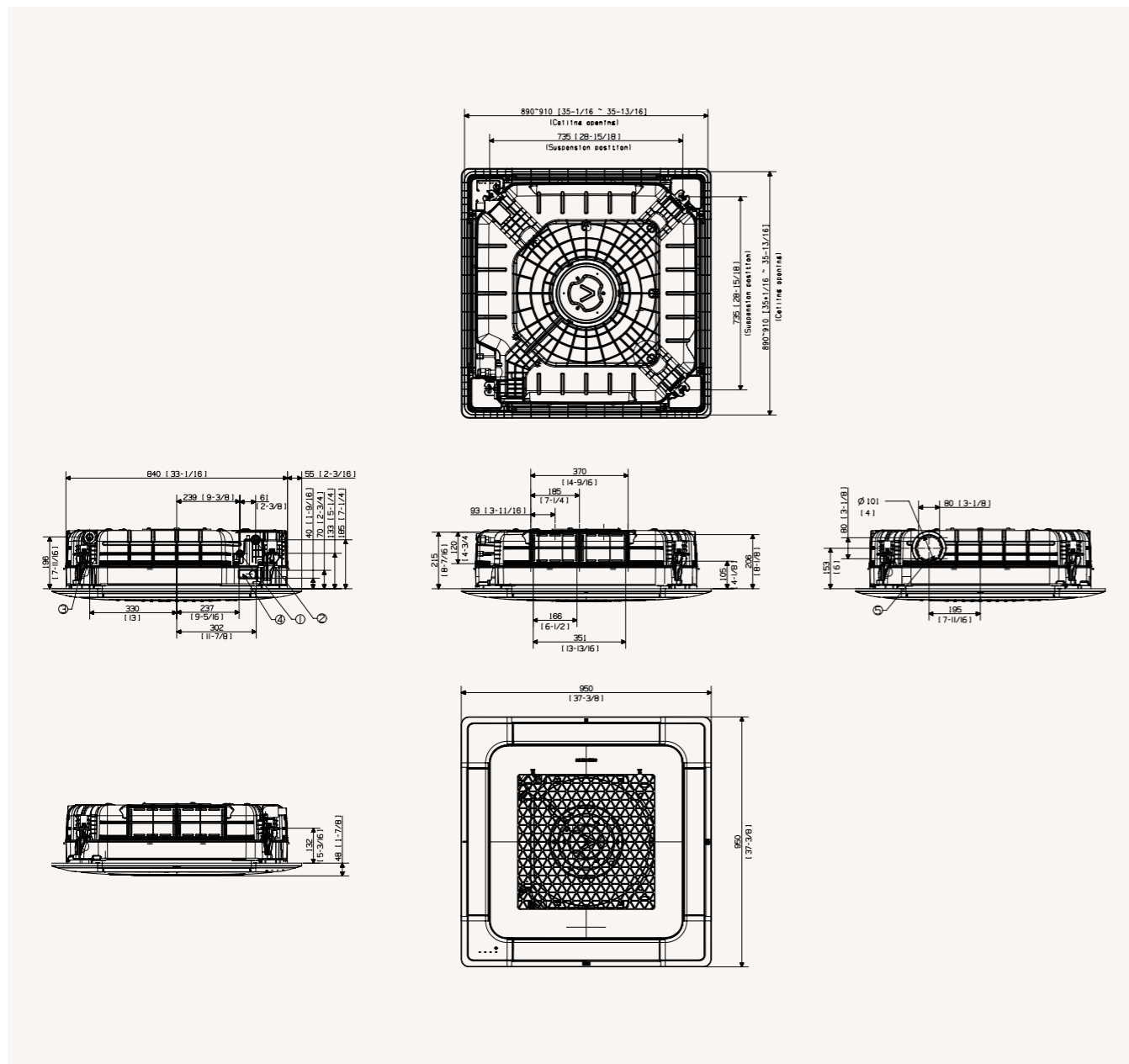
Note: As for suspension bolt, please use M8-M10. (Procured at local site)



# Technical Drawings

## WindFree™ 4-Way Cassette

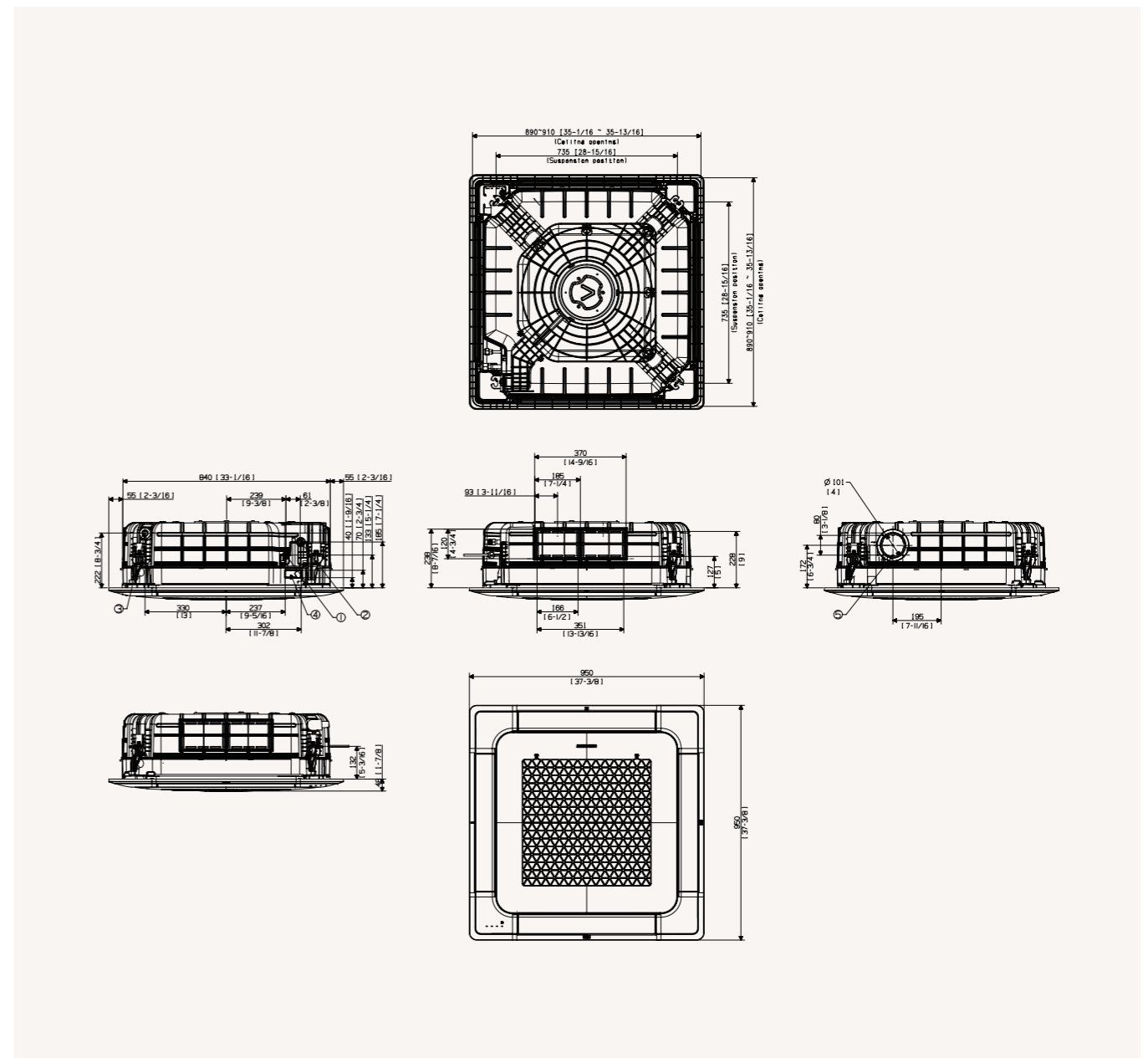
AM028/036/045/056/071AN4PKH/EU



NO	Name	Description
		AM028/036/045/056AN4PKH/EU AM071AN4PKH/EU
1	Liquid pipe connection	ø6.35 (1/4) ø9.52 (3/8)
2	Gas pipe connection	ø12.7 (1/2) ø15.88 (5/8)
3	Drain pipe connection	VP25 (OD 32, ID 25)
4	Power supply/communication wiring conduits	
5	Fresh air intake knock-out hole	ø10 [4], use M4 Screw

Note: As for suspension bolt, please use M8~M10. (Procured at local site)

AM090/112AN4PKH/EU



NO	Name	Description
1	Liquid pipe connection	ø9.52 (3/8)
2	Gas pipe connection	ø15.88 (5/8)
3	Drain pipe connection	VP25 (OD 32, ID 25)
4	Power supply/communication wiring conduits	
5	Fresh air intake knock-out hole	ø10 [4], use M4 Screw

Note: As for suspension bolt, please use M8~M10. (Procured at local site)



# Specifications

## WindFree™ 1-Way Cassette

- Fast Cooling mode and WindFree™ Cooling mode.
- One-way air supply by means of a 100 mm wide blade.
- Built-in condensation drain pump and humidity sensor.
- Cross-flow fan direct driven by a BLDC motor.
- Compatible with Wi-Fi Kit controller
- Optional Air Purification Panel



Model			AM017NN1PEH/EU	AM022NN1PEH/EU	AM022NN1DKH/EU	
Power Supply		Φ, #, V, Hz	1Φ, 2, 220-240 V, 50 Hz	1Φ, 2, 220-240 V, 50 Hz	1Φ, 2, 220-240 V, 50 Hz	
Performance	Capacity	Cooling	kW	1.7	2.2	2.2
		Heating	kW	1.9	2.5	2.5
Power	Power Input	Cooling	W	24	25	29
		Heating	W	24	25	29
	Current Input	Cooling	A	0.14	0.15	0.16
		Heating	A	0.14	0.15	0.16
	Current	MCA	A	0.18	0.19	0.20
		MFA	A	15	15	15
Fan	Type		Crossflow Fan	Crossflow Fan	Crossflow Fan	
	Number of Fans	ea	1	1	1	
	Airflow Rate	H/M/L	m <sup>3</sup> /min	4.80/4.30/4.10	5.10/4.60/4.30	6.00/5.00/4.00
		l/s	80.00/71.67/68.33	85.00/76.67/71.67	100.00/83.33/66.67	
Fan Motor	Model		BLDC Motor	BLDC Motor	BLDC Motor	
	Output x n	W	27 x 1	27 x 1	27 x 1	
Piping Connections	Liquid Pipe	ø, mm	6.35	6.35	6.35	
		ø, inch	1/4	1/4	1/4	
	Gas Pipe	ø, mm	12.7	12.7	12.70	
		ø, inch	1/2	1/2	1/2	
Drain Pipe	ø, mm	VP20 (OD 25, ID 20)	VP20 (OD 25, ID 20)	VP20 (OD 25, ID 20)		
Wiring Connections	Connection with Indoor	Minimum	mm <sup>2</sup>	0.75	0.75	0.75
	Remark			F1, F2	F1, F2	F1, F2
Refrigerant	Type		R410A(Fluorinated greenhouse gas, GWP=2,088)			
	Electronic Expansion Valve		EEV INCLUDED			
Sound	Sound Pressure <sup>1</sup>	(H/M/L)	dB(A)	28/26/24	29/26/24	29/26/24
	Sound Power	Cooling	dB(A)	46	47	47
Dimension	Net Weight		kg	8.0	8.0	10.0
	Net Dimensions (W x H x D)		mm	740 x 135 x 360	740 x 135 x 360	970 x 135 x 410
Panel	Model Name			PC1MWFMAN	PC1MWFMAN	PC1NWFMAN
Drain pump				INCLUDED	INCLUDED	INCLUDED
	Max. Lifting Height/Displacement		mm / litres/h	750/24	750/24	750/24



	AM028NN1DKH/EU	AM036NN1DKH/EU	AM056NN1DEH/EU	AM071NN1DEH/EU
	1Φ, 2, 220-240 V, 50 Hz	1Φ, 2, 220-240 V, 50 Hz	1Φ, 2, 220-240 V, 50 Hz	1Φ, 2, 220-240 V, 50 Hz
	2.8	3.6	5.6	7.1
	3.2	4.0	6.3	8.0
	32	40	55	80
	32	40	55	80
	0.17	0.20	0.28	0.40
	0.17	0.20	0.28	0.40
	0.21	0.25	0.35	0.50
	15	15	15	15
	Crossflow Fan	Crossflow Fan	Crossflow Fan	Crossflow Fan
	1	1	1	1
	7.00/6.00/5.00	8.00/7.00/6.00	16.00/14.00/12.50	17.00/15.50/14.00
	116.67/100.00/83.33	133.33/116.67/100.00	266.67/233.33/208.33	283.33/258.33/233.33
	BLDC Motor	BLDC Motor	BLDC Motor	BLDC Motor
	27 x 1	27 x 1	54 x 1	54 x 1
	6.35	6.35	6.35	9.52
	1/4	1/4	1/4	3/8
	12.70	12.70	12.7	15.88
	1/2	1/2	1/2	5/8
	VP20 (OD 25, ID 20)	VP20 (OD 25, ID 20)	VP20 (OD 25, ID 20)	VP20 (OD 25, ID 20)
	0.75	0.75	0.75	0.75
	F1, F2	F1, F2	F1, F2	F1, F2
	R410A(Fluorinated greenhouse gas, GWP=2,088)			
	EEV INCLUDED			
	32/28/24	37/33/30	41/38/35	42/39/36
	50	55	59	60
	10.0	10.0	13.5	13.5
	970 x 135 x 410	970 x 135 x 410	1,200 x 138 x 450	1,200 x 138 x 450
	PC1NWFMAN	PC1NWFMAN	PC1BWFMAN	PC1BWFMAN
	INCLUDED	INCLUDED	INCLUDED	INCLUDED
	750/24	750/24	750/24	750/24

### Accessories

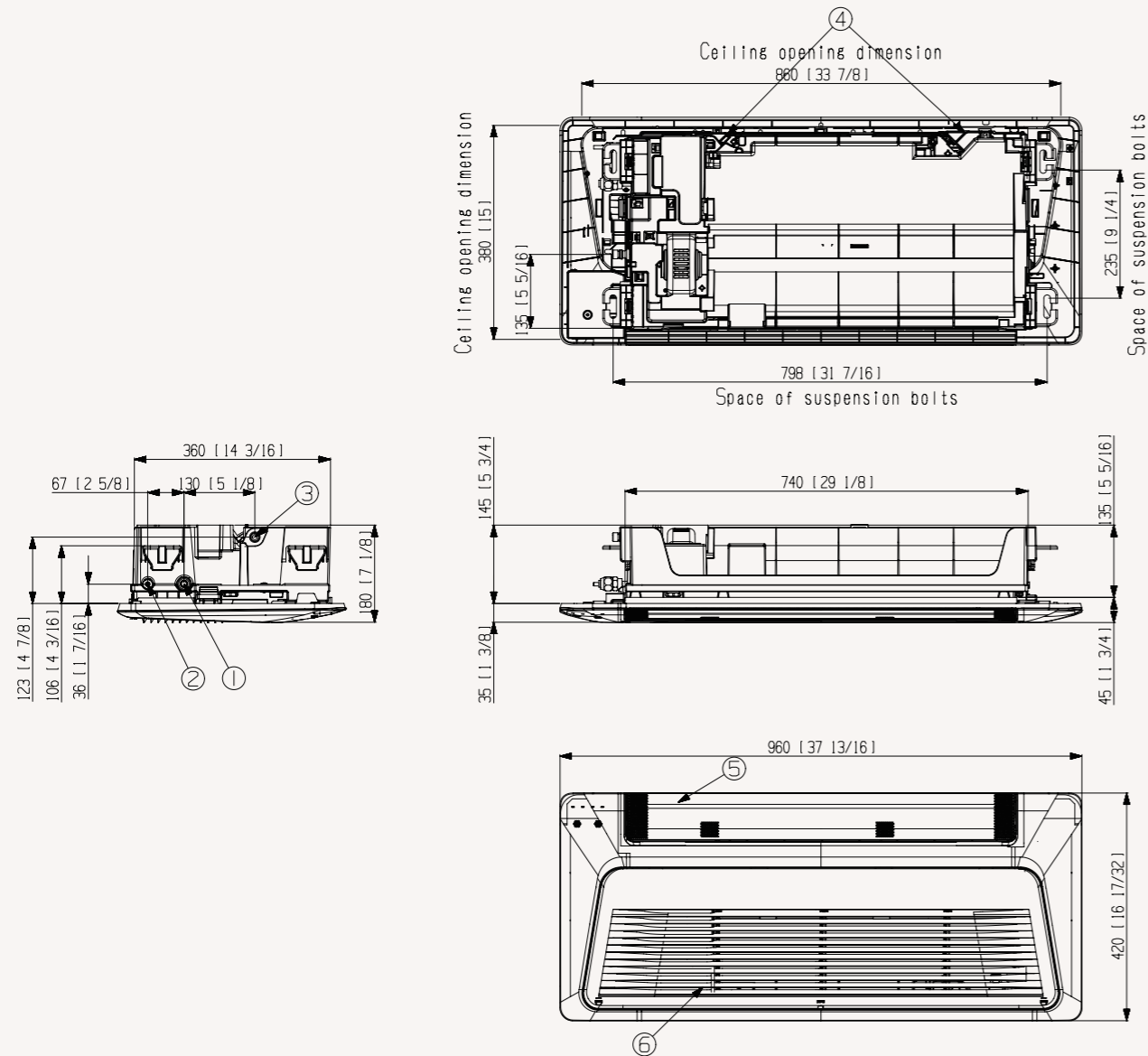
Wireless Remote Controller	Simple Type Controller	Touch Controller	Wired Remote Controller	Wi-Fi Kit	Panel (Mandatory)
AR-EH03E	MWR-SH00N	MWR-SH11N	MWR-WG00*N	MIM-H04EN	PC1*WFMAN
Air Purification Panel (Optional)	External Room Sensor				
PC1*WCMAN	MRW-TA				

<sup>1</sup> Sound pressure level is obtained in an anechoic room. Sound pressure level is a relative value, depending on the distance and acoustic environment. Sound pressure level may differ depending on operation conditions.

# Dimensional drawings

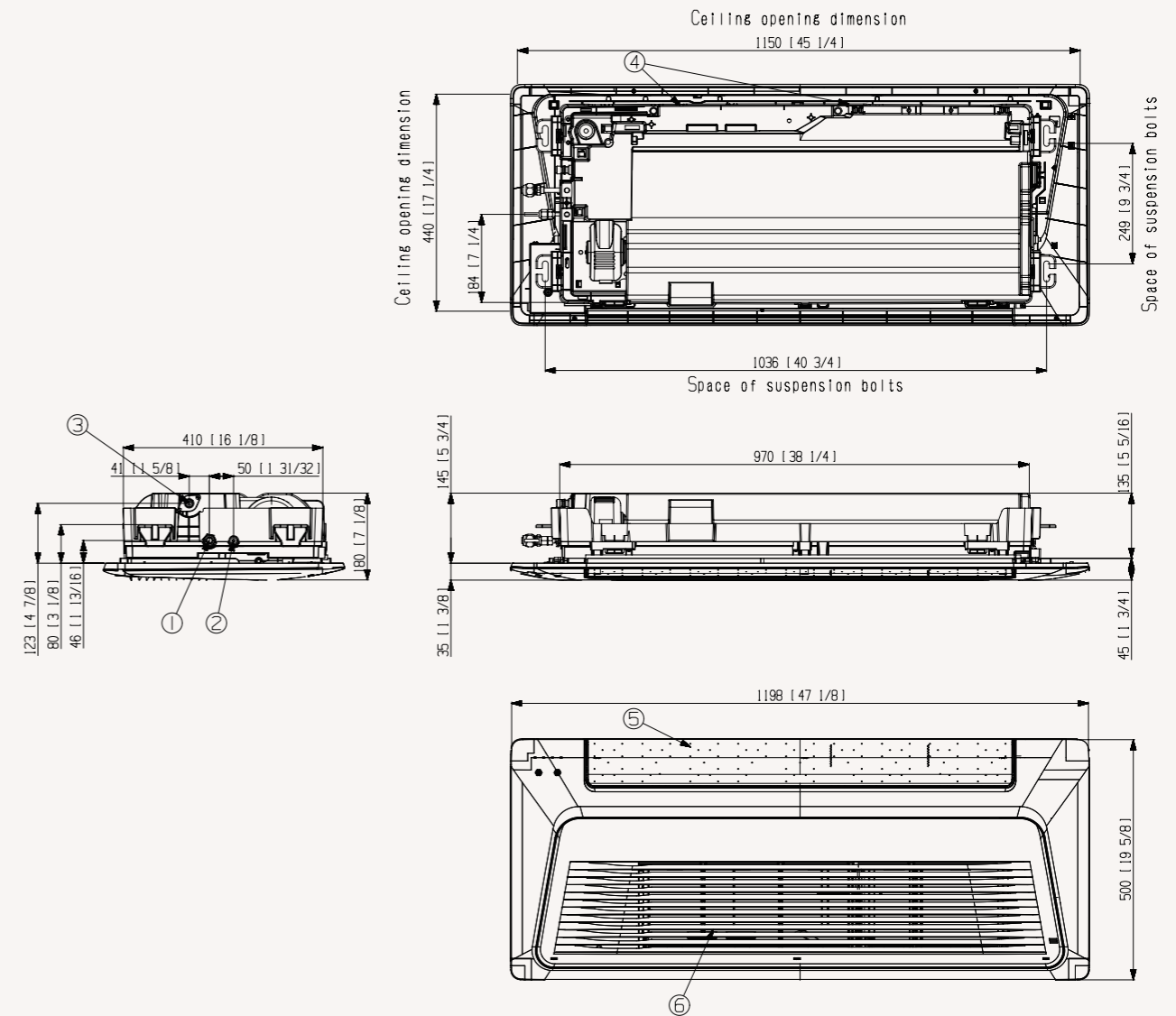
## WindFree™ 1-Way Cassette

AM017/022NN1PEH/EU



NO	Name	Description
1	Gas pipe connection	Ø12.7 (1/2")
2	Liquid pipe connection	Ø6.35 (1/4")
3	Drain hose connection	VP20 (OD26, ID20)
4	Power supply/Communication wiring conduit	-
5	Air outlet louver	-
6	Air inlet grille	-

AM022/028/036NN1DKH/EU



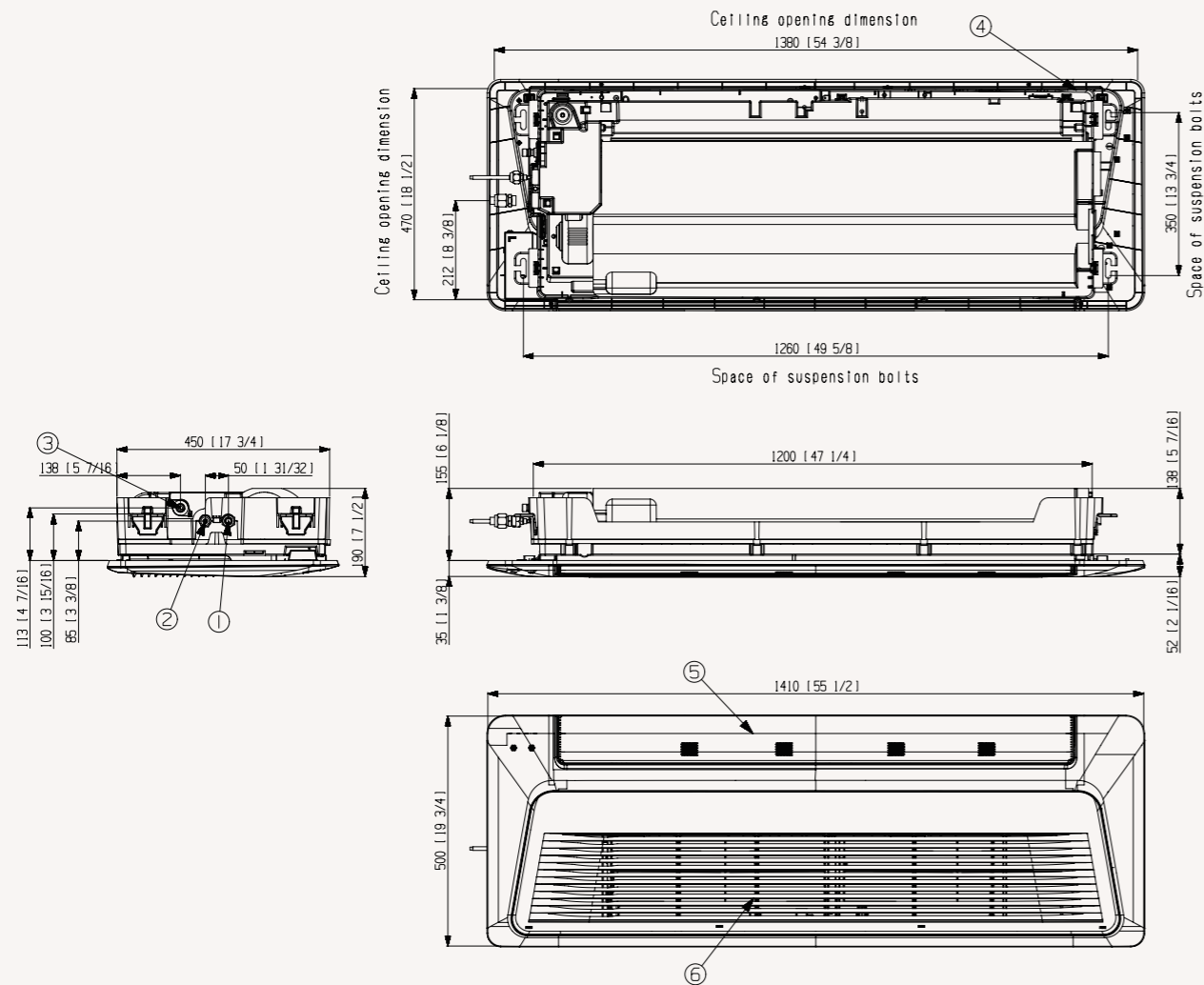
NO	Name	Description
1	Gas pipe connection	Ø12.7 (1/2")
2	Liquid pipe connection	Ø6.35 (1/4")
3	Drain hose connection	VP20 (OD26, ID20)
4	Power supply/Communication wiring conduit	-
5	Air outlet louver	-
6	Air inlet grille	-



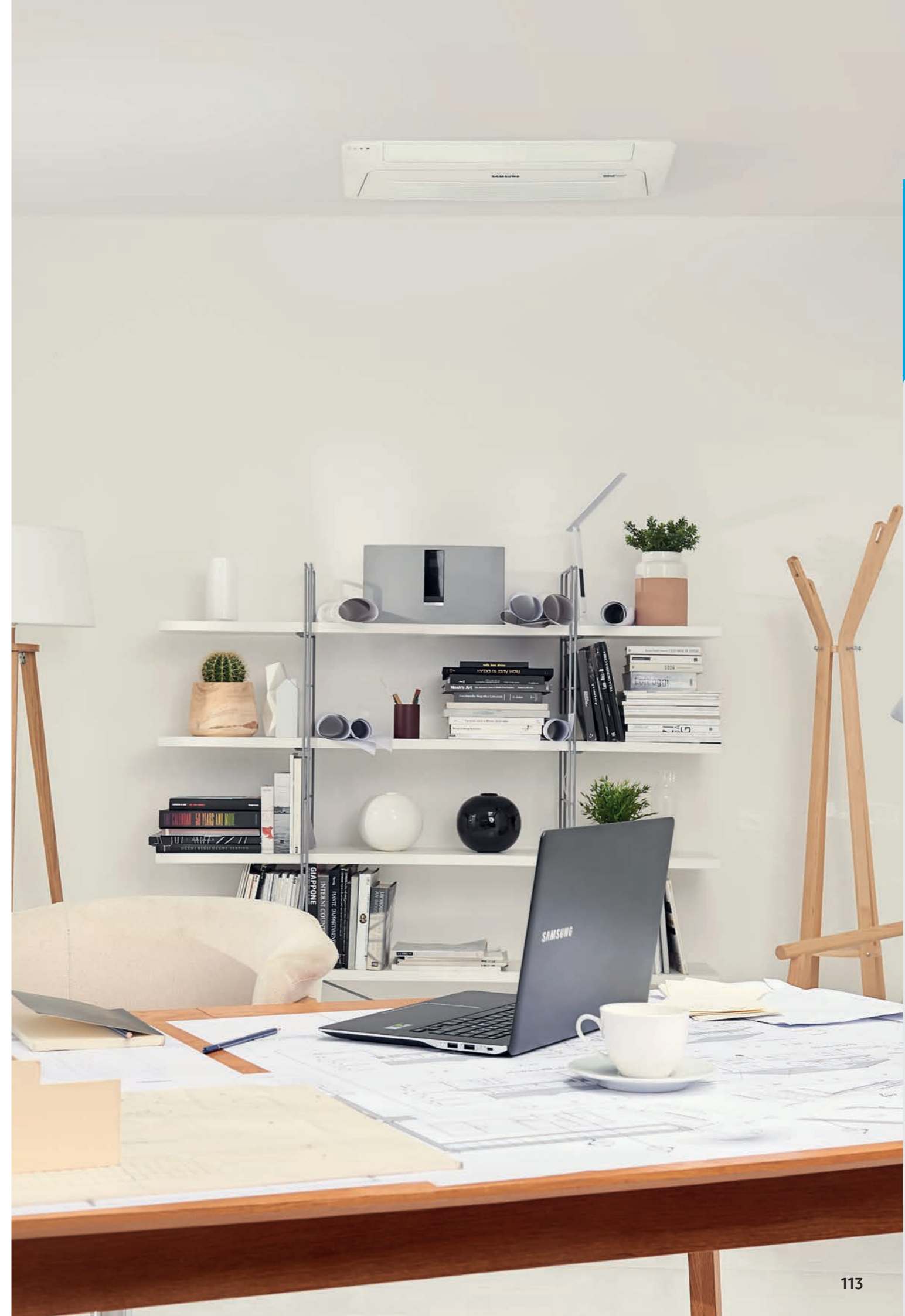
# Dimensional drawings

## WindFree™ 1-Way Cassette

AM056/071NN1DEH/EU



NO	Name	Description	
		5.2 kW	7.1 kW
1	Gas pipe connection	Ø12.70 (1/2")	Ø15.88 (5/8")
2	Liquid pipe connection	Ø6.35 (1/4")	Ø9.52 (3/8")
3	Drain hose connection		VP25 (OD32, ID25)
4	Power supply/Communication wiring conduit		-
5	Air outlet louver		-
6	Air inlet grille		-



# Specifications

## 360 Cassette

- 360 degree air supply.
- Bladeless discharge. Booster fans can be individually controlled, allowing for completely horizontal flow discharge. Coandă effect is created even without ceiling.
- Built-in condensation drain pump.
- Predisposition of the air inlet to let fresh air in.







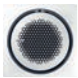



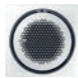


- Compatible with Wi-Fi Kit controller.
- Circular or square cassette panel.
- Motion Detector Sensor included.
- Optional SPI Kit
- Optional Air Purification Panel, Auto Elevation Panel



Model			AM045KN4DEH/EU	AM056KN4DEH/EU	AM071KN4DEH/EU	
Power Supply		Φ, #, V, Hz	1Φ, 2, 220-240 V, 50 Hz	1Φ, 2, 220-240 V, 50 Hz	1Φ, 2, 220-240 V, 50 Hz	
Performance	Capacity (Nominal)	Cooling	kW	4.5	5.6	7.1
		Heating	kW	5.0	6.3	8.0
Power	Power Input (Nominal)	Cooling	W	26	30	34
		Heating	W	26	30	34
	Current Input (Nominal)	Cooling	A	0.18	0.21	0.25
		Heating	A	0.18	0.21	0.25
Fan	Motor	Type	-	Turbo Fan	Turbo Fan	
	Output x n	w	65 x 1	65 x 1	65 x 1	
	Airflow Rate	H/M/L (UL)	m <sup>3</sup> /min	14.50/13.50/12.50	16.00/14.50/13.50	18.00/16.00/14.00
		l/s	241.67/225.00/208.33	266.67/241.67/225.00	300.00/266.67/233.33	
Piping Connections	Liquid Pipe	ø, mm	6.35	6.35	9.52	
		ø, inch	1/4	1/4	3/8	
	Gas Pipe	ø, mm	12.70	12.70	15.88	
		ø, inch	1/2	1/2	5/8	
	Drain Pipe	ø, mm	VP25 (OD 32, ID 25)	VP25 (OD 32, ID 25)	VP25 (OD 32, ID 25)	
	Field Wiring	Power Source Wire	mm <sup>2</sup>	1.5-2.5	1.5-2.5	1.5-2.5
Transmission Cable		mm <sup>2</sup>	0.75-1.50	0.75-1.50	0.75-1.50	
Refrigerant	Type	-	R410A(Fluorinated greenhouse gas, GWP=2,088)			
	Control Method	-	EEV INCLUDED	EEV INCLUDED	EEV INCLUDED	
Sound	Sound Pressure <sup>1</sup>	(H/M/L)	dB(A)	33/31/29	34/32/29	36/33/30
	Sound Power	Cooling	dB(A)	50	51	53
Dimension	Net Weight	kg	21.0	21.0	21.0	
	Net Dimensions (W x H x D)	mm	947 x 281 x 947	947 x 281 x 947	947 x 281 x 947	
Panel	Model Name	-	PC4NUDMAN	PC4NUDMAN	PC4NUDMAN	

	AM090KN4DEH/EU	AM112KN4DEH/EU	AM128KN4DEH/EU	AM140KN4DEH/EU
	1Φ, 2, 220-240 V, 50 Hz	1Φ, 2, 220-240 V, 50 Hz	1Φ, 2, 220-240 V, 50 Hz	1Φ, 2, 220-240 V, 50 Hz
	9.0	11.2	12.8	14.0
	10.0	12.5	13.8	16.0
	55	53	77	91
	55	53	77	91
	0.42	0.41	0.62	0.75
	0.42	0.41	0.62	0.75
	Turbo Fan	Turbo Fan	Turbo Fan	Turbo Fan
	65 x 1	97 x 1	97 x 1	97 x 1
	22.00/18.50/16.00	25.50/21.00/17.50	29.50/24.00/19.00	31.50/26.50/21.00
	366.67/308.33/266.67	425.00/350.00/291.67	491.67/400.00/316.67	525.00/441.67/350.00
	9.52	9.52	9.52	9.52
	3/8	3/8	3/8	3/8
	15.88	15.88	15.88	15.88
	5/8	5/8	5/8	5/8
	VP25 (OD 32, ID 25)	VP25 (OD 32, ID 25)	VP25 (OD 32, ID 25)	VP25 (OD 32, ID 25)
	1.5-2.5	1.5-2.5	1.5-2.5	1.5-2.5
	0.75-1.50	0.75-1.50	0.75-1.50	0.75-1.50
			R410A(Fluorinated greenhouse gas, GWP=2,088)	
	EEV INCLUDED	EEV INCLUDED	EEV INCLUDED	EEV INCLUDED
	40/36/32	40/36/32	42/38/33	44/40/35
	57	58	60	61
	21.0	24.0	24.0	24.0
	947 x 281 x 947	947 x 365 x 947	947 x 365 x 947	947 x 365 x 947
	PC4NUDMAN	PC4NUDMAN	PC4NUDMAN	PC4NUDMAN

### Accessories

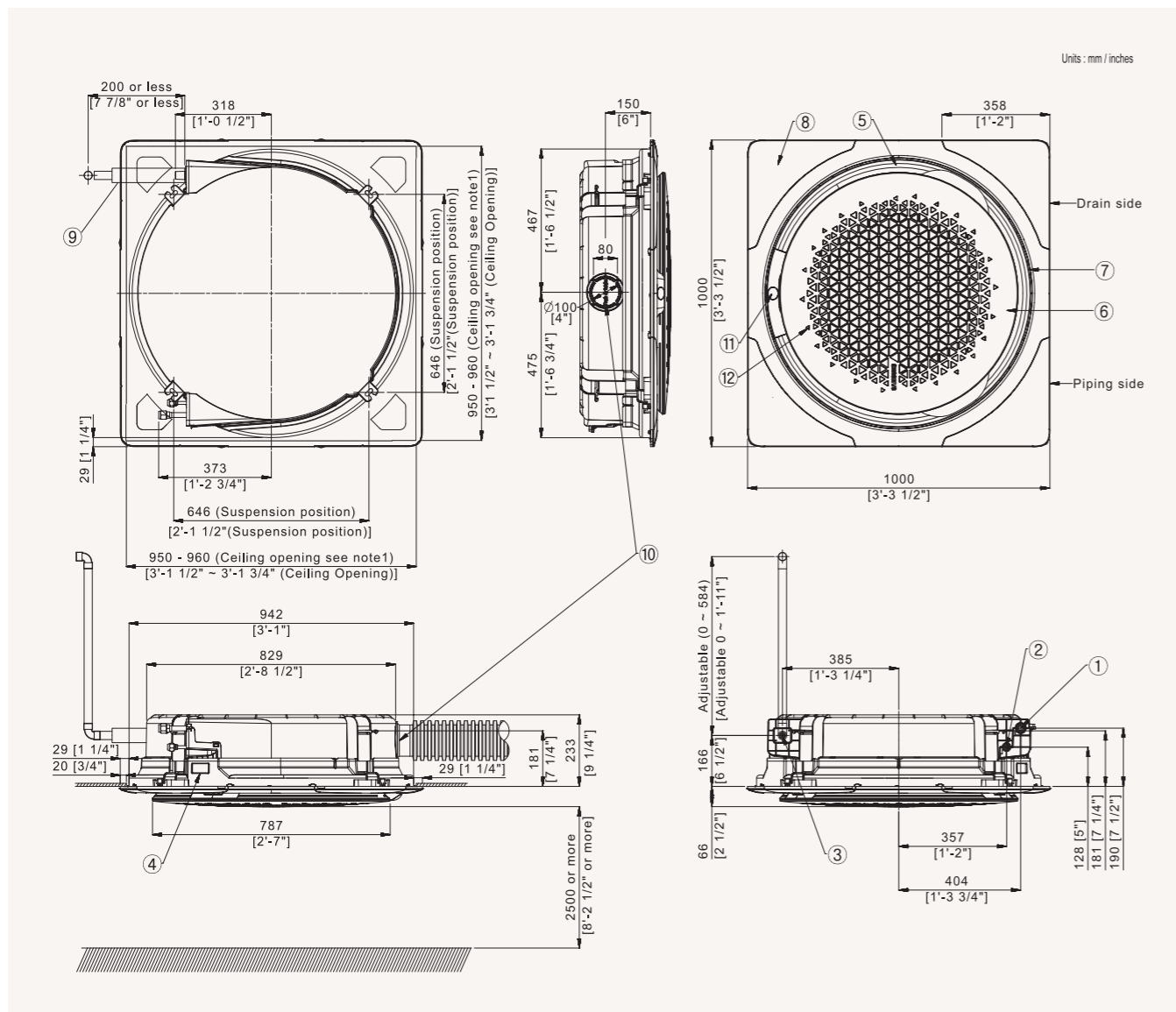
					
Wireless Remote Controller	Simple Type Controller	Touch Controller	Wired Remote Controller	Wi-Fi Kit	External Room Sensor
AR-KH03E	MWR-SH00N	MWR-SH11N	MWR-WG00*N	MIM-H04EN	MRW-TA
					
Panel (Mandatory)	Panel (Mandatory)	Panel (Mandatory)	Panel (Mandatory)	Air Purification Panel (Optional)	Auto Elevation Panel (Optional)
PC4NUDMAN	PC4NUNMAN	PC4NBDMAN	PC4NBNMAN	PC6EUCMAN	PC6EUXMAN
					
Motion Detect Sensor	SPI Kit				
MCR-SME	MSD-CAN1				

<sup>1</sup> Sound pressure level is obtained in an anechoic room. Sound pressure level is a relative value, depending on the distance and acoustic environment. Sound pressure level may differ depending on operation conditions.

# Dimensional drawings

## 360 Cassette (square)

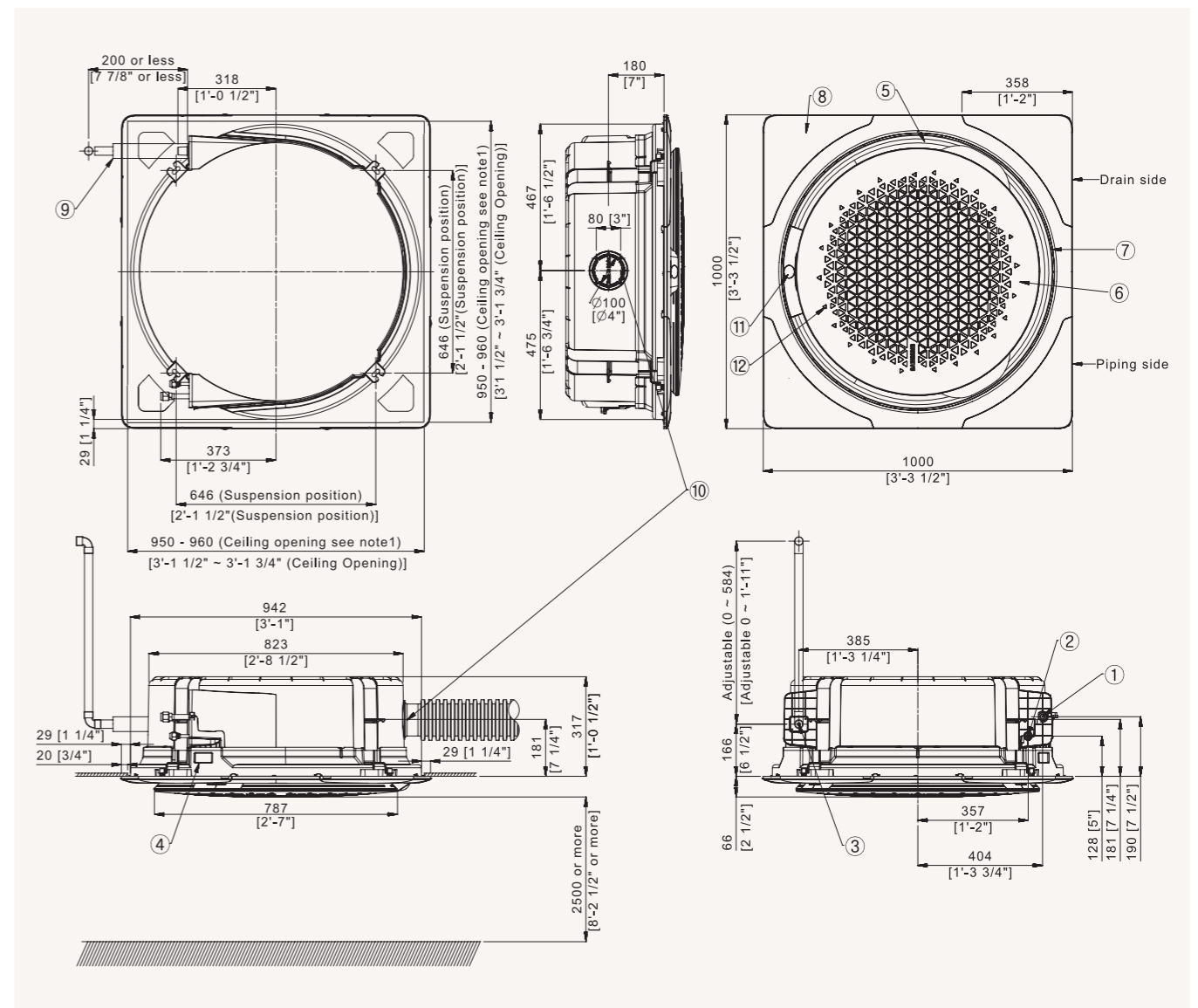
AM045KN4DEH/EU, AM056KN4DEH/EU, AM071KN4DEH/EU, AM090KN4DEH/EU



NO	Name
1	Refrigerant liquid pipe
2	Refrigerant gas pipe
3	Condensate drain
4	Power supply/communication wiring conduits
5	Air discharge opening
6	Air suction grille
7	Suction rim for booster fan
8	Corner decoration cover
9	Drain hose
10	Fresh air intake knock-out hole
11	Display window
12	Infrared receiver

1. Make sure the spacing between the ceiling and the cassette is no more than 29 mm [1 1/4"].  
Max ceiling opening: 960 mm [3'1 3/4"]
2. When the conditions exceed 30 °C and RH 80 % in the ceiling or fresh air inducted into the ceiling, additional insulation is required (polythene foam, thickness 10 mm [3/8"] or more)
3. Open type panel model code: PC4NUDMAN

AM112KN4DEH/EU, AM128KN4DEH/EU, AM140KN4DEH/EU



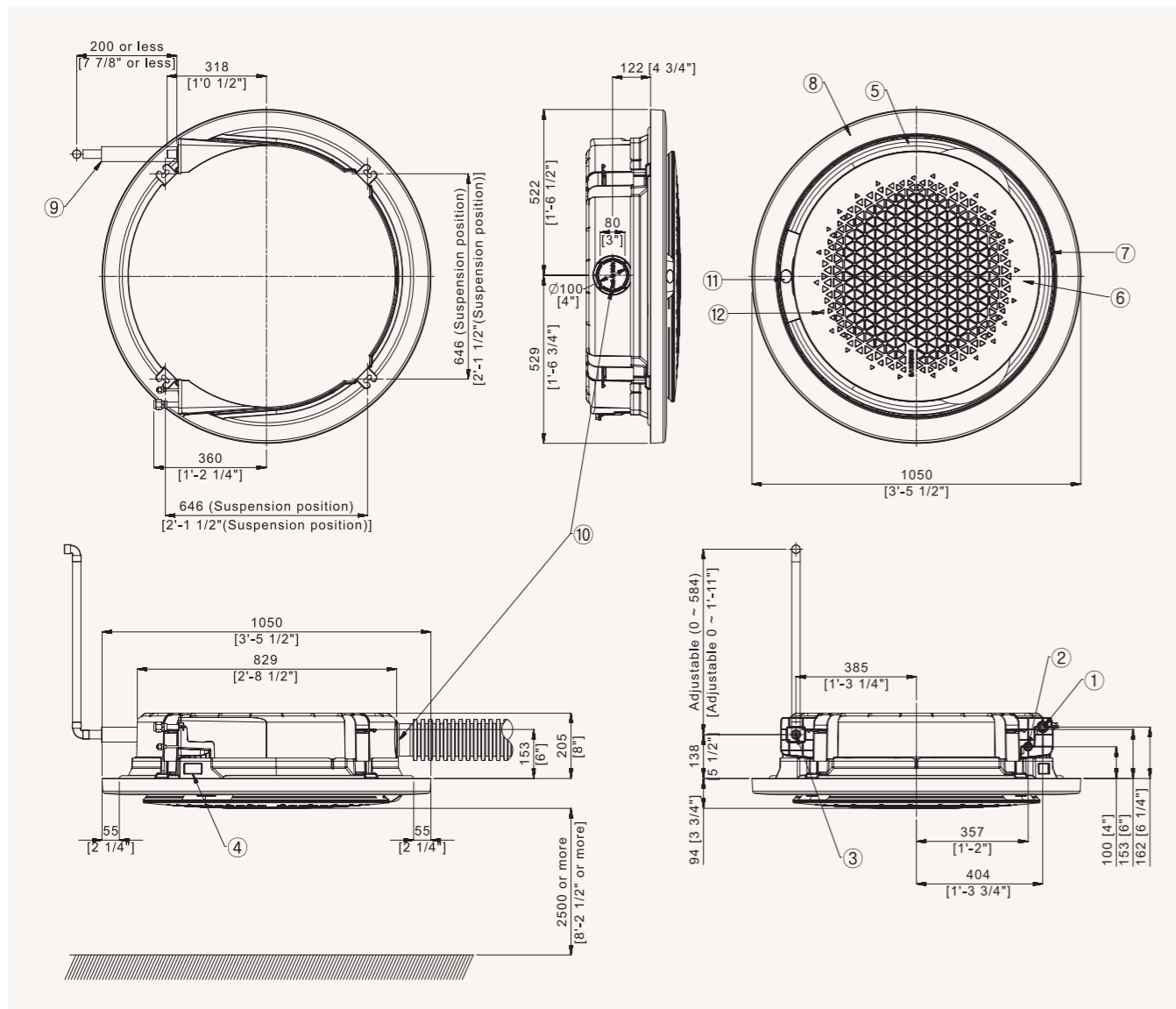
NO	Name
1	Refrigerant liquid pipe
2	Refrigerant gas pipe
3	Condensate drain
4	Power supply/communication wiring conduits
5	Air discharge opening
6	Air suction grille
7	Suction rim for booster fan
8	Corner decoration cover
9	Drain hose
10	Fresh air intake knock-out hole
11	Display window
12	Infrared receiver

1. Make sure the spacing between the ceiling and the cassette is no more than 29 mm [1 1/4"].  
Max ceiling opening: 960 mm [3'1 3/4"]
2. When the conditions exceed 30 °C and RH 80 % in the ceiling or fresh air inducted into the ceiling, additional insulation is required (polythene foam, thickness 10 mm [3/8"] or more)
3. Open type panel model code: PC4NUDMAN

# Dimensional drawings

## 360 Cassette (circular)

AM045KN4DEH/EU, AM056KN4DEH/EU, AM071KN4DEH/EU, AM090KN4DEH/EU

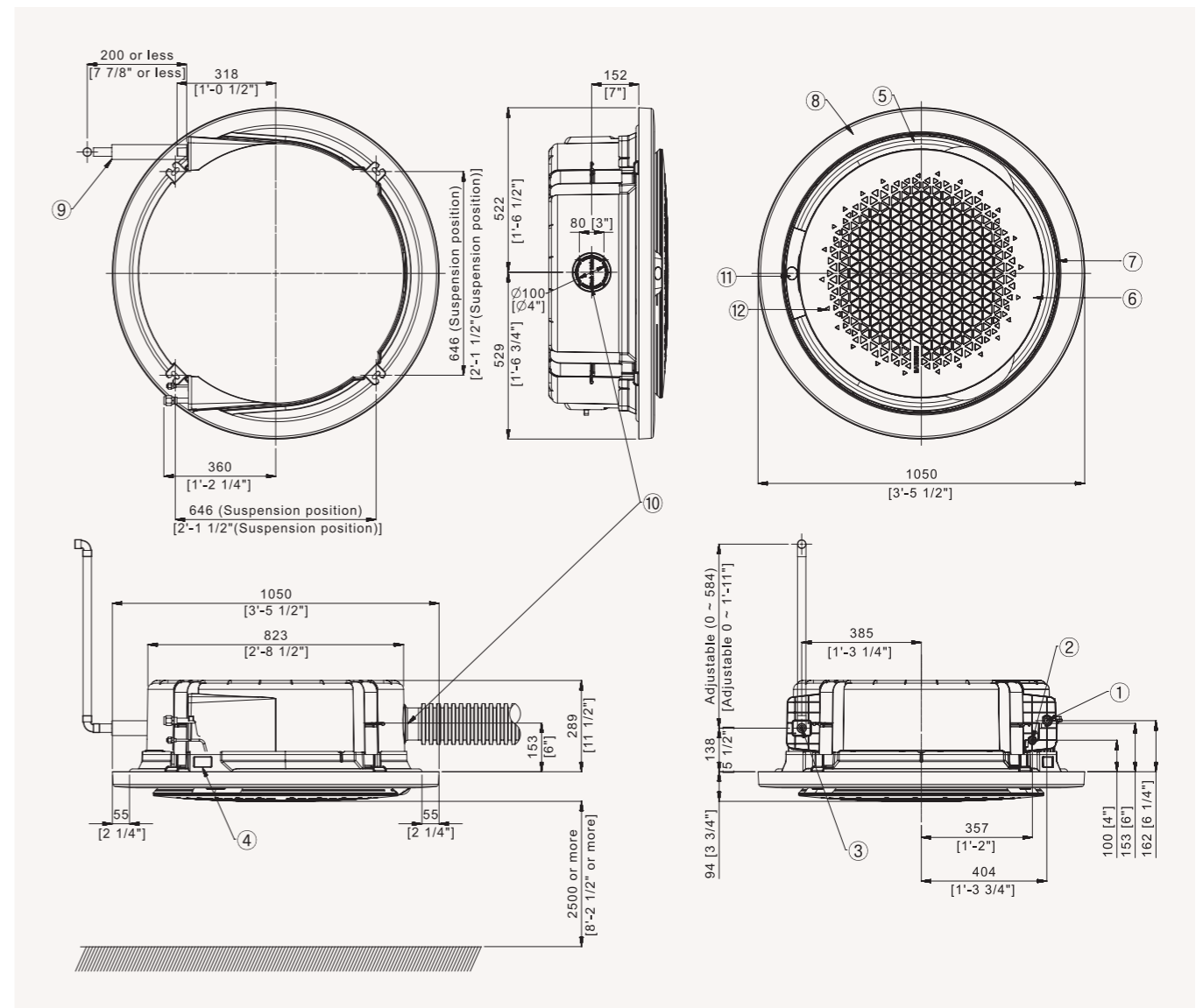


NO	Name
1	Refrigerant liquid pipe
2	Refrigerant gas pipe
3	Condensate drain
4	Power supply/communication wiring conduits
5	Air discharge opening
6	Air suction grille
7	Suction rim for booster fan
8	Corner decoration cover
9	Drain hose
10	Fresh air intake knock-out hole
11	Display window
12	Infrared receiver

Category	Inspection hole	
	Recessed installation	Exposed installation
	Integrated	Suspended
Square Panel	1 ea	-
Circle Panel	2 ea	-

1. Make sure the spacing between the ceiling and the cassette is no more than 10 mm [3/8"].
2. When the conditions exceed 30 °C and RH 80 % in the ceiling or fresh air inducted into the ceiling, additional insulation is required (polythene foam, thickness 10 mm [3/8"] or more)
3. Open type panel model code: PC4NUNMAN
4. The circular panel is available by default in the exposed installation.
5. Make inspection holes on the ceiling for easier installation and maintenance, as shown in the following table. (An inspection hole must be at least 450 mm x 450 mm in size.)
6. A suspended ceiling structure can substitute for the inspection holes.

AM112KN4DEH/EU, AM128KN4DEH/EU, AM140KN4DEH/EU



NO	Name
1	Refrigerant liquid pipe
2	Refrigerant gas pipe
3	Condensate drain
4	Power supply/communication wiring conduits
5	Air discharge opening
6	Air suction grille
7	Suction rim for booster fan
8	Corner decoration cover
9	Drain hose
10	Fresh air intake knock-out hole
11	Display window
12	Infrared receiver

Category	Inspection hole	
	Recessed installation	Exposed installation
	Integrated	Suspended
Square Panel	1 ea	-
Circle Panel	2 ea	-

1. Make sure the spacing between the ceiling and the cassette is no more than 10 mm [3/8"].
2. When the conditions exceed 30 °C and RH 80 % in the ceiling or fresh air inducted into the ceiling, additional insulation is required (polythene foam, thickness 10 mm [3/8"] or more)
3. Open type panel model code: PC4NUNMAN
4. The circular panel is available by default in the exposed installation.
5. Make inspection holes on the ceiling for easier installation and maintenance, as shown in the following table. (An inspection hole must be at least 450 mm x 450 mm in size.)
6. A suspended ceiling structure can substitute for the inspection holes.



# Specifications

## LSP Duct (drain pump excluded)

- Two-position field adjustable air return, on the bottom or at the rear of the unit.
- Equipped with one Sirocco fan direct driven by a single motor.
- Long-life washable HD 40 permanent filter is included.
- Auto Restart function.
- Optional condensate drain pump.



Model			AM017ANLDKH/EU	AM022ANLDKH/EU	AM028ANLDKH/EU	AM036ANLDKH/EU	
<b>Power Supply</b>		Φ, #, V, Hz	1Φ, 2, 220-240 V, 50/60 Hz	1Φ, 2, 220-240 V, 50/60 Hz	1Φ, 2, 220-240 V, 50/60 Hz	1Φ, 2, 220-240 V, 50/60 Hz	
<b>Performance</b>	<b>Capacity (Nominal)</b>	<b>Cooling</b>	kW	1.7	2.2	2.8	3.6
		<b>Heating</b>	kW	1.9	2.5	3.2	4.0
<b>Power</b>	<b>Power Input (Nominal)</b>	<b>Cooling</b>	W	28	30	34	40
		<b>Heating</b>	W	28	30	36	42
	<b>Current Input (Nominal)</b>	<b>Cooling</b>	A	0.23	0.25	0.28	0.33
		<b>Heating</b>	A	0.23	0.25	0.30	0.35
<b>Fan</b>	<b>Type</b>	-	Sirocco Fan	Sirocco Fan	Sirocco Fan	Sirocco Fan	
	<b>Motor</b>	<b>Output x n</b>	W	69 x 1	69 x 1	69 x 1	69 x 1
	<b>Airflow Rate</b>	<b>H/M/L (UL)</b>	m <sup>3</sup> /min	5.5 / 4.5 / 3.8	6.0 / 4.9 / 3.8	7.1 / 5.2 / 4.4	8.2 / 6.5 / 4.9
			l/s	91 / 74 / 63	100 / 82 / 63	118 / 86 / 73	137 / 108 / 82
	<b>External Static Pressure</b>	<b>Min/Std/Max</b>	mmAq	0.0 / 1.0 / 3.0	0.0 / 1.0 / 3.0	0.0 / 1.0 / 3.0	0.0 / 1.0 / 3.0
<b>Piping Connections</b>	<b>Liquid Pipe</b>	ø, mm	6.35	6.35	6.35	6.35	
		ø, inch	1/4	1/4	1/4	1/4	
	<b>Gas Pipe</b>	ø, mm	12.70	12.70	12.70	12.70	
		ø, inch	1/2	1/2	1/2	1/2	
	<b>Drain Pipe</b>	ø, mm	VP25 (OD 32, ID 25)	VP25 (OD 32, ID 25)	VP25 (OD 32, ID 25)	VP25 (OD 32, ID 25)	
	<b>Field Wiring</b>	<b>Power Source Wire</b>	<b>Below 20 m/over 20 m</b>	mm <sup>2</sup>	1.5/2.5	1.5/2.5	1.5/2.5
<b>Transmission Cable</b>			mm <sup>2</sup>	0.75-1.50	0.75-1.50	0.75-1.50	0.75-1.50
<b>Refrigerant</b>	<b>Type</b>	-	R410A(Fluorinated greenhouse gas, GWP=2,088)				
	<b>Control Method</b>	-	EEV INCLUDED	EEV INCLUDED	EEV INCLUDED	EEV INCLUDED	
<b>Sound</b>	<b>Sound Pressure<sup>1</sup></b>	(H/M/L)	dB(A)	25 / 22 / 19	26 / 23 / 19	28 / 24 / 19	31 / 26 / 20
	<b>Sound Power</b>		dB(A)	40	42	44	46
<b>Dimensions</b>	<b>Net Weight</b>		kg	14.9	14.9	14.9	15.3
	<b>Net Dimensions (W x H x D)</b>		mm	700 x 199 x 440	700 x 199 x 440	700 x 199 x 440	700 x 199 x 440
<b>Air Filter</b>		-		Long-life Filter	Long-life Filter	Long-life Filter	Long-life Filter
<b>Additional Accessories</b>	<b>Drain Pump</b>	-		MDP-E075SEE3D	MDP-E075SEE3D	MDP-E075SEE3D	MDP-E075SEE3D
	<b>Max. Lifting Height/Displacement</b>		mm / litres/h	750/24	750/24	750/24	750/24

AM045ANLDKH/EU	AM056ANLDKH/EU	AM071ANLDKH/EU	AM090ANLDKH/EU	AM112ANLDKH/EU	AM128ANLDKH/EU	AM140ANLDKH/EU
1Φ, 2, 220-240 V, 50/60 Hz	1Φ, 2, 220-240 V, 50/60 Hz	1Φ, 2, 220-240 V, 50/60 Hz	1Φ, 2, 220-240 V, 50/60 Hz	1Φ, 2, 220-240 V, 50/60 Hz	1Φ, 2, 220-240 V, 50/60 Hz	1Φ, 2, 220-240 V, 50/60 Hz
4.5	5.6	7.1	9.0	11.2	12.8	14.0
5.0	6.3	8.0	10.0	12.5	13.8	16.0
51	73	82	170	170	200	220
46	68	77	170	170	200	220
0.45	0.62	0.69	0.96	0.96	1.28	1.43
0.41	0.58	0.65	0.96	0.96	1.28	1.43
Sirocco Fan	Sirocco Fan	Sirocco Fan	Sirocco Fan	Sirocco Fan	Sirocco Fan	Sirocco Fan
84 x 1	84 x 1	84 x 1	183 x 1	183 x 1	183 x 1	183 x 1
12.5 / 10.0 / 7.5	15.5 / 12.5 / 9.5	18.0 / 14.5 / 11.0	29.0 / 27.0 / 25.0	31.0 / 29.0 / 27.0	34.0 / 32.0 / 30.0	36.0 / 34.0 / 32.0
208 / 167 / 125	258 / 208 / 158	300 / 242 / 183	483 / 450 / 417	520 / 483 / 450	567 / 533 / 500	600 / 567 / 533
0.0 / 2.0 / 4.0	0.0 / 2.0 / 4.0	0.0 / 2.0 / 4.0	0.0 / 3.0 / 6.0	0.0 / 3.0 / 6.0	0.0 / 3.0 / 6.0	0.0 / 3.0 / 6.0
0.00 / 19.61 / 39.23	0.00 / 19.61 / 39.23	0.00 / 19.61 / 39.23	0.00 / 29.42 / 58.84	0.00 / 29.42 / 58.84	0.00 / 29.42 / 58.84	0.00 / 29.42 / 58.84
6.35	6.35	9.52	9.52	9.52	9.52	9.52
1/4	1/4	3/8	3/8	3/8	3/8	3/8
12.70	12.70	15.88	15.88	15.88	15.88	15.88
1/2	1/2	5/8	5/8	5/8	5/8	5/8
VP25 (OD 32, ID 25)	VP25 (OD 32, ID 25)	VP25 (OD 32, ID 25)	VP25 (OD 32, ID 25)	VP25 (OD 32, ID 25)	VP25 (OD 32, ID 25)	VP25 (OD 32, ID 25)
1.5/2.5	1.5/2.5	1.5/2.5	1.5/2.5	1.5/2.5	1.5/2.5	1.5/2.5
0.75-1.50	0.75-1.50	0.75-1.50	0.75-1.50	0.75-1.50	0.75-1.50	0.75-1.50
			R410A(Fluorinated greenhouse gas, GWP=2,088)			
EEV INCLUDED	EEV INCLUDED	EEV INCLUDED	EEV INCLUDED	EEV INCLUDED	EEV INCLUDED	EEV INCLUDED
32 / 28 / 25	34 / 30 / 26	34 / 30 / 27	37 / 36 / 34	37 / 36 / 34	37 / 36 / 34	39 / 38 / 36
47	49	49	66	66	66	68
18.8	18.8	22.0	40.0	40.0	41.5	41.5
700 x 199 x 440	900 x 199 x 440	1,100 x 199 x 440	1,300 x 295 x 690	1,300 x 295 x 690	1,300 x 295 x 690	1,300 x 295 x 690
Long-life Filter	Long-life Filter	Long-life Filter	Long-life Filter	Long-life Filter	Long-life Filter	Long-life Filter
MDP-E075SEE3D	MDP-E075SEE3D	MDP-E075SEE3D	MDP-E075SEE3D	MDP-E075SEE3D	MDP-E075SEE3D	MDP-E075SEE3D
750/24	750/24	750/24	750/24	750/24	750/24	750/24

### Accessories



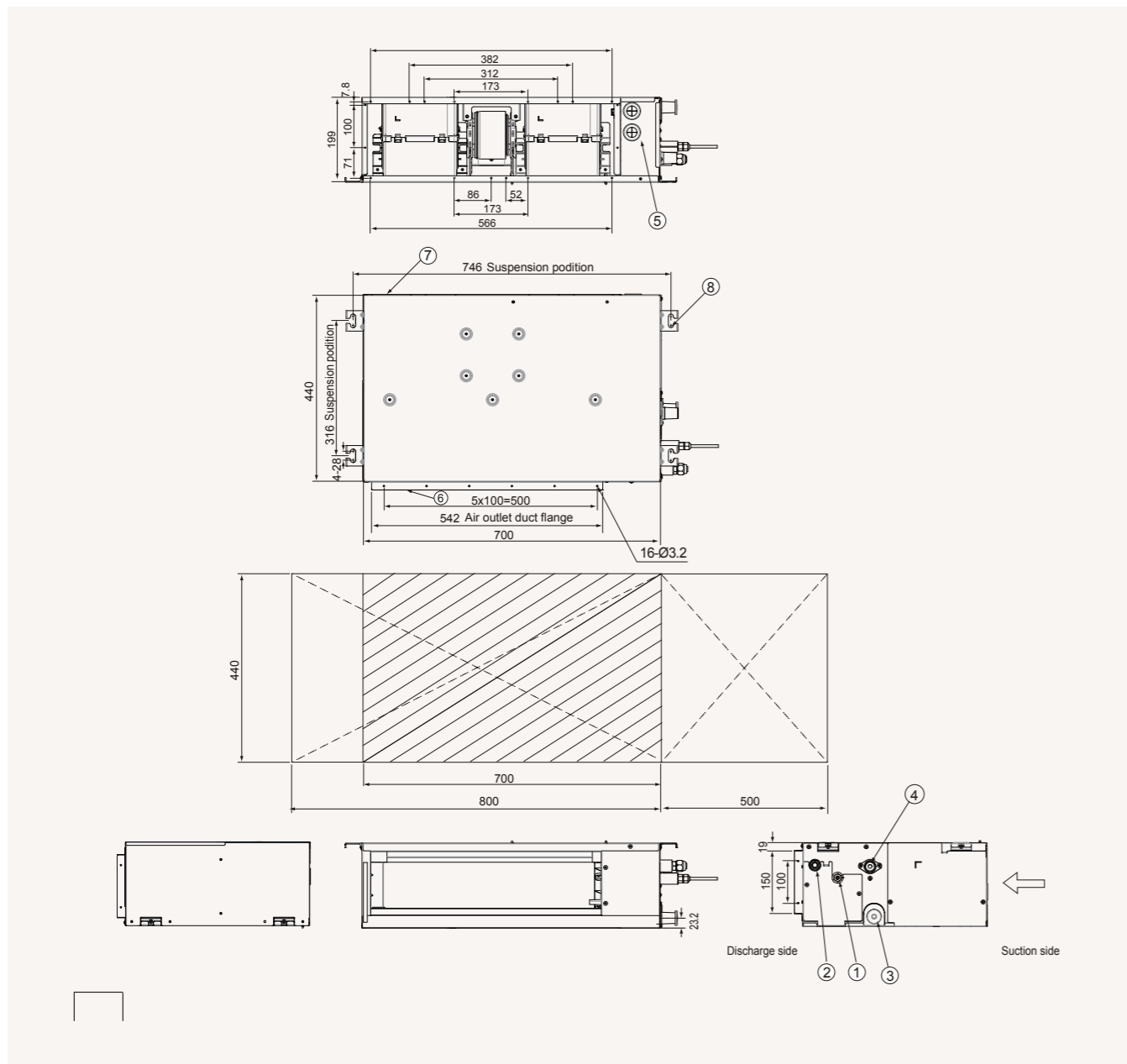
Drain Pump (optional)	Wireless Remote Controller	Touch Controller	Wired Remote Controller	Wi-Fi Kit	Wireless Receiver Kit	External Room Sensor
MDP-E075SEE3D	AR-EH03E (to be matched with MRK-A10N)	MWR-SH11N	MWR-WG00*N	MIM-H04EN	MRK-A10N (to be matched with AR-EH03E)	MRW-TA

<sup>1</sup> Sound pressure level is obtained in an anechoic room. Sound pressure level is a relative value, depending on the distance and acoustic environment. Sound pressure level may differ depending on operation conditions.

# Dimensional drawings

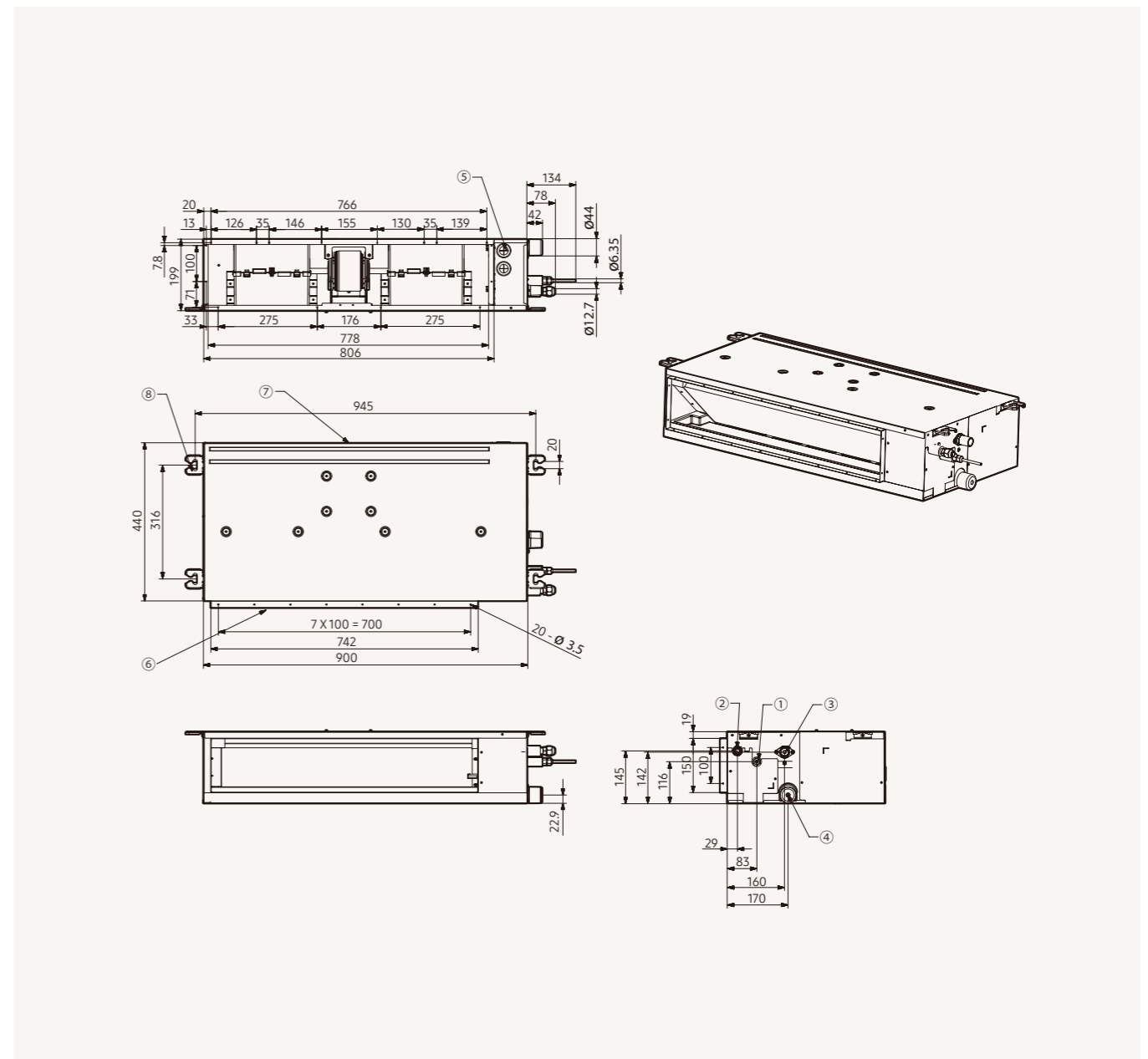
## LSP Duct (drain pump excluded)

AM017/022/028/036ANLDKH/EU



NO	Name	Description
1	Refrigerant Liquid Pipe	Ø6.35 [1/4"]
2	Refrigerant Gas Pipe	Ø12.70 [1/2"]
3	Drain pipe connection without drain pump	VP25 (OD 32, ID 25)
4	Drain pipe connectino with drain pump	VP25 (OD 32, ID 25)
5	Power supply / Communication connection	-
6	Air discharge grille flange	-
7	Return air side	-
8	Hook	ø9.52 or M10

AM045/056ANLDKH/EU

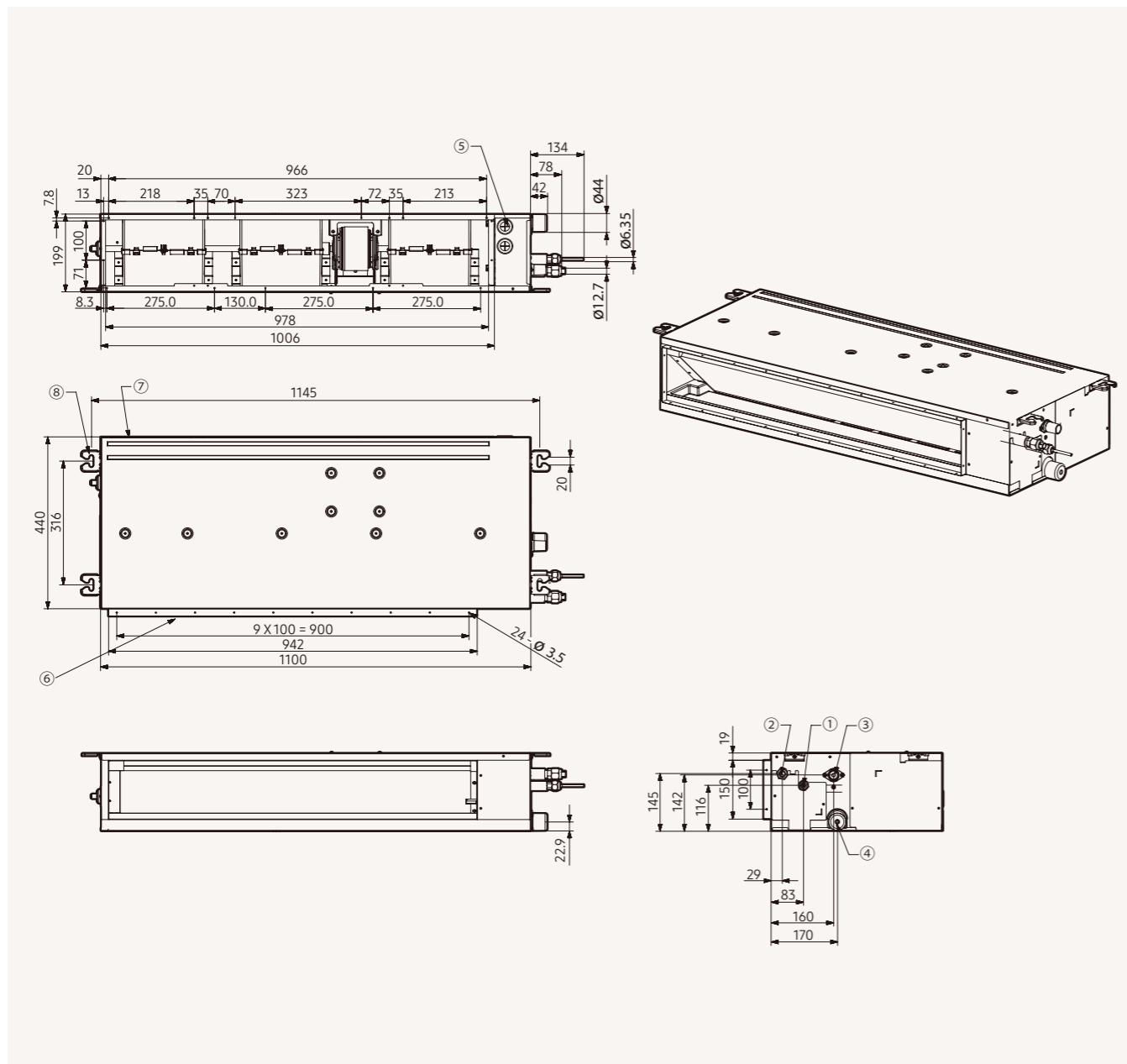


NO	Name	Description
1	Refrigerant Liquid Pipe	Ø6.35 [1/4"] Flare Connection
2	Refrigerant Gas Pipe	Ø12.70 [1/2"] Flare Connection
3	Condensate Drain	VP25 (OD 32, ID 25)
4	Condensate Drain (Option)	VP25 (OD 32, ID 25)
5	Power & Comm. Wiring Conduits	-
6	Supply Air Flange	-
7	Return Air Flange	-
8	Hook	-

# Dimensional drawings

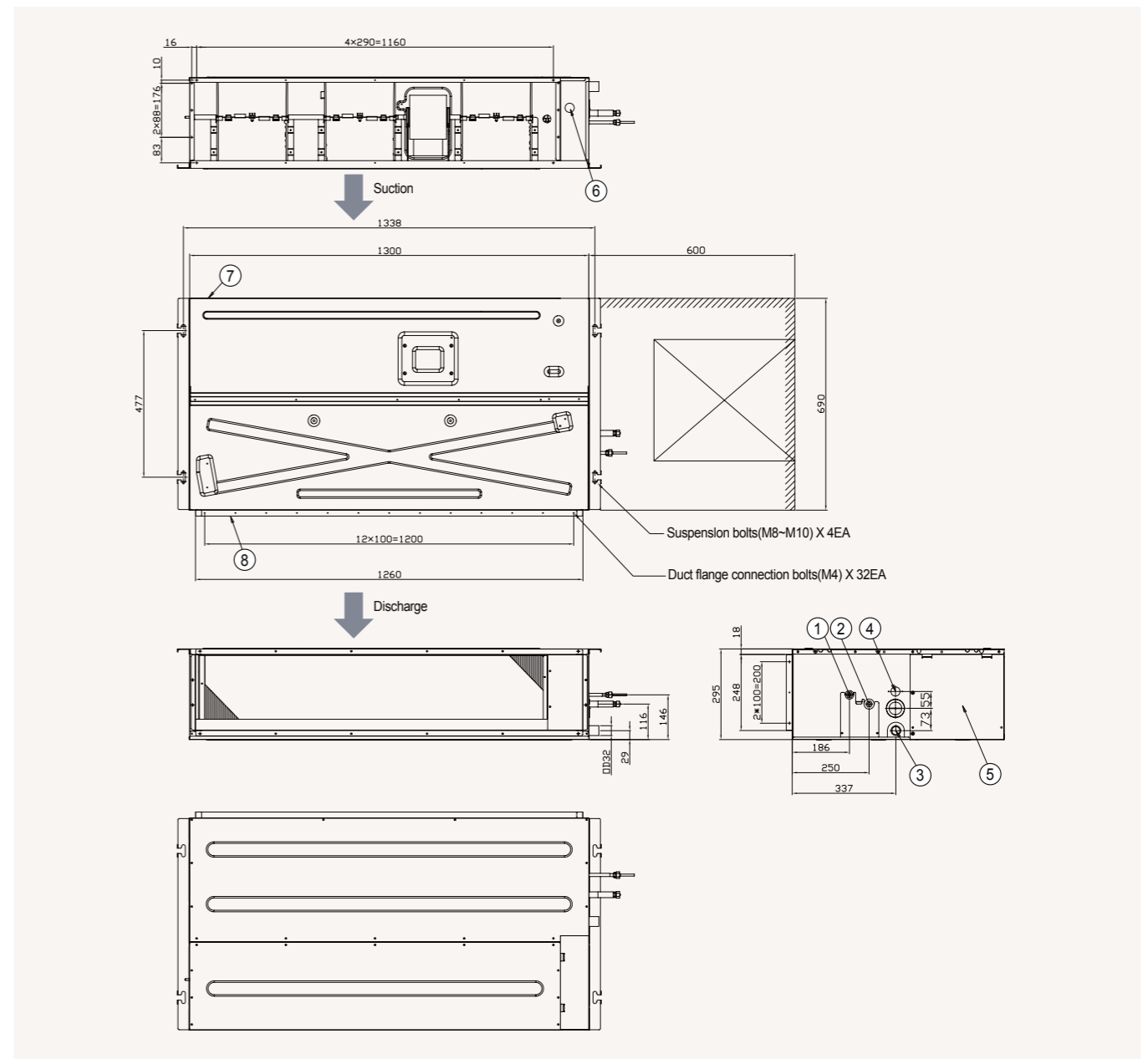
## LSP Duct (drain pump excluded)

AM071ANLDKH/EU



NO	Name	Description
1	Refrigerant Liquid Pipe	Ø9.52 [3/8"] Flare Connection
2	Refrigerant Gas Pipe	Ø15.88 [5/8"] Flare Connection
3	Condensate Drain	VP25 (OD 32, ID 25)
4	Condensate Drain (Option)	VP25 (OD 32, ID 25)
5	Power & Comm. Wiring Conduits	-
6	Supply Air Flange	-
7	Return Air Flange	-
8	Hook	-

AM090/112/128/140\*NLDKH/EU



NO	Name	Description
1	Refrigerant Liquid Pipe	Ø9.52 [3/8"] Flare Connection
2	Refrigerant Gas Pipe	Ø15.88 [5/8"] Flare Connection
3	Drain pipe connection without drain pump	VP25 (OD 32, ID 25)
4	Drain pipe connectino with drain pump	VP25 (OD 32, ID 25)
5	Control unit	-
6	Conduit for power supply & communication wiring	-
7	Return air side	-
8	Air outlet duct flange	-



# Specifications

## LSP Duct (drain pump included)

- Two-position field adjustable air return, on the bottom or at the rear of the unit.
- Equipped with one Sirocco fan direct driven by a single motor.
- Long-life washable HD 40 permanent filter is included.
- Auto Restart function.
- Automatic ESP setting
- Built-in condensation drain pump.

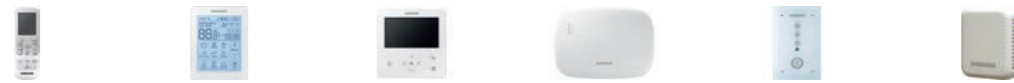


Model			AM017KNLDEH/EU	AM022KNLDEH/EU	AM028KNLDEH/EU	AM036KNLDEH/EU	
<b>Power Supply</b>		Φ, #, V, Hz	1Φ, 2, 220-240 V, 50 Hz	1Φ, 2, 220-240 V, 50 Hz	1Φ, 2, 220-240 V, 50 Hz	1Φ, 2, 220-240 V, 50 Hz	
<b>Performance</b>	<b>Capacity (Nominal)</b>	<b>Cooling</b>	kW	1.7	2.2	2.8	3.6
		<b>Heating</b>	kW	1.9	2.5	3.2	4.0
<b>Power</b>	<b>Power Input (Nominal)</b>	<b>Cooling</b>	W	28	30	34	40
		<b>Heating</b>	W	28	30	36	42
	<b>Current Input (Nominal)</b>	<b>Cooling</b>	A	0.23	0.25	0.28	0.33
		<b>Heating</b>	A	0.23	0.25	0.30	0.35
<b>Fan</b>	<b>Type</b>	-	Sirocco Fan	Sirocco Fan	Sirocco Fan	Sirocco Fan	
	<b>Motor</b>	Output x n	W	69 x 1	69 x 1	69 x 1	69 x 1
	<b>Airflow Rate</b>	<b>H/M/L (UL)</b>	<b>m<sup>3</sup>/min</b>	5.45/4.45/3.80	6.00/4.90/3.80	7.05/5.15/4.35	8.20/6.50/4.90
			<b>l/s</b>	90.83/74.17/63.33	100.00/81.67/63.33	117.50/85.83/72.50	136.67/108.33/81.67
	<b>External Static Pressure</b>	<b>Min/Std/Max</b>	<b>mmAq</b>	0.00/1.00/3.00	0.00/1.00/3.00	0.00/1.00/3.00	0.00/1.00/3.00
<b>Pa</b>			0.00/9.81/29.42	0.00/9.81/29.42	0.00/9.81/29.42	0.00/9.81/29.42	
<b>Piping Connections</b>	<b>Liquid Pipe</b>	<b>ø, mm</b>	6.35	6.35	6.35	6.35	
		<b>ø, inch</b>	1/4	1/4	1/4	1/4	
	<b>Gas Pipe</b>	<b>ø, mm</b>	12.70	12.70	12.70	12.70	
		<b>ø, inch</b>	1/2	1/2	1/2	1/2	
<b>Drain Pipe</b>	<b>ø, mm</b>	VP25 (OD 32, ID 25)	VP25 (OD 32, ID 25)	VP25 (OD 32, ID 25)	VP25 (OD 32, ID 25)		
<b>Field Wiring</b>	<b>Power Source Wire</b>	<b>mm<sup>2</sup></b>	1.5-2.5	1.5-2.5	1.5-2.5	1.5-2.5	
	<b>Transmission Cable</b>	<b>mm<sup>2</sup></b>	0.75-1.50	0.75-1.50	0.75-1.50	0.75-1.50	
<b>Refrigerant</b>	<b>Type</b>	-	R410A(Fluorinated greenhouse gas, GWP=2,088)				
	<b>Control Method</b>	-	EEV INCLUDED	EEV INCLUDED	EEV INCLUDED	EEV INCLUDED	
<b>Sound</b>	<b>Sound Pressure<sup>1</sup></b>	(H/M/L)	dB(A)	25/22/19	26/23/19	28/24/19	31/26/ 20
	<b>Sound Power</b>	<b>Cooling</b>	dB(A)	40	42	44	46
<b>Dimensions</b>	<b>Net Weight</b>	<b>kg</b>	15.3	15.3	15.3	15.7	
	<b>Net Dimensions (W × H × D)</b>	<b>mm</b>	700 x 199 x 440	700 x 199 x 440	700 x 199 x 440	700 x 199 x 440	
<b>Air Filter</b>	<b>Drain Pump</b>	-	Long-life Filter	Long-life Filter	Long-life Filter	Long-life Filter	
<b>Additional Accessories</b>	<b>Max. Lifting Height/Displacement</b>	<b>mm / litres/h</b>	750/24	750/24	750/24	750/24	



AM045MNLDEH/EU	AM056MNLDEH/EU	AM071MNLDEH/EU	AM090MNLDKH/EU	AM112MNLDKH/EU	AM128MNLDKH/EU	AM140MNLDKH/EU
1Φ, 2, 220-240 V, 50 Hz	1Φ, 2, 220-240 V, 50 Hz	1Φ, 2, 220-240 V, 50 Hz	1,2,220-240,50/60	1,2,220-240,50/60	1,2,220-240,50/60	1,2,220-240,50/60
4.5	5.6	7.1	9.0	11.2	12.8	14.0
5.0	6.3	8.0	10.0	12.5	13.8	16.0
51	73	82	170	170	200	220
46	68	77	170	170	200	220
0.45	0.62	0.69	0.96	0.96	1.28	1.43
0.41	0.58	0.65	0.96	0.96	1.28	1.43
Sirocco Fan	Sirocco Fan	Sirocco Fan	Sirocco Fan	Sirocco Fan	Sirocco Fan	Sirocco Fan
84 x 1	84 x 1	84 x 1	183 x 1	183 x 1	183 x 1	183 x 1
12.50/10.00/7.50	15.50/12.50/9.50	18.00/14.50/11.00	29.00/27.00/25.00	31.20/29.00/27.00	34.00/32.00/30.00	36.00/34.00/32.00
208.33/166.67/125.00	258.33/208.33/158.33	300.00/241.67/183.33	483.33/450.00/416.67	520.00/483.33/450.00	567.00/533.00/500.00	600.00/566.67/533.33
0.00/2.00/4.00	0.00/2.00/4.00	0.00/2.00/4.00	0.00/3.00/6.00	0.00/3.00/6.00	0.00/3.00/6.00	0.00/3.00/6.00
0.00/19.61/39.23	0.00/19.61/39.23	0.00/19.61/39.23	0.00/29.42/58.84	0.00/29.42/58.84	0.00/29.42/58.84	0.00/29.42/58.84
6.35	6.35	9.52	9.52	9.52	9.52	9.52
1/4	1/4	3/8	3/8	3/8	3/8	3/8
12.70	12.70	15.88	15.88	15.88	15.88	15.88
1/2	1/2	5/8	5/8	5/8	5/8	5/8
VP25 (OD 32, ID 25)	VP25 (OD 32, ID 25)	VP25 (OD 32, ID 25)	VP25 (OD 32, ID 25)	VP25 (OD 32, ID 25)	VP25 (OD 32, ID 25)	VP25 (OD 32, ID 25)
1.5-2.5	1.5-2.5	1.5-2.5	1.5-2.5	1.5-2.5	1.5-2.5	1.5-2.5
0.75-1.50	0.75-1.50	0.75-1.50	0.75-1.50	0.75-1.50	0.75-1.50	0.75-1.50
R410A(Fluorinated greenhouse gas, GWP=2,088)						
EEV INCLUDED	EEV INCLUDED	EEV INCLUDED	EEV INCLUDED	EEV INCLUDED	EEV INCLUDED	EEV INCLUDED
32 / 28 / 25	34 / 30 / 26	34 / 30 / 27	37/36/34	37/36/34	37 / 36 / 34	39/38/36
47	51	53	66	66	66	68
18.9	18.9	22.3	40.5	40.5	42.0	42.0
900 x 199 x 440	900 x 199 x 440	1100 x 199 x 440	1,300 x 295 x 690	1,300 x 295 x 690	1,300 x 295 x 690	1,300 x 295 x 690
Long-life Filter	Long-life Filter	Long-life Filter	Long-life Filter	Long-life Filter	Long-life Filter	Long-life Filter
Included	Included	Included	Included	Included	Included	Included
750/24	750/24	750/24	750/24	750/24	750/24	750/24

### Accessories



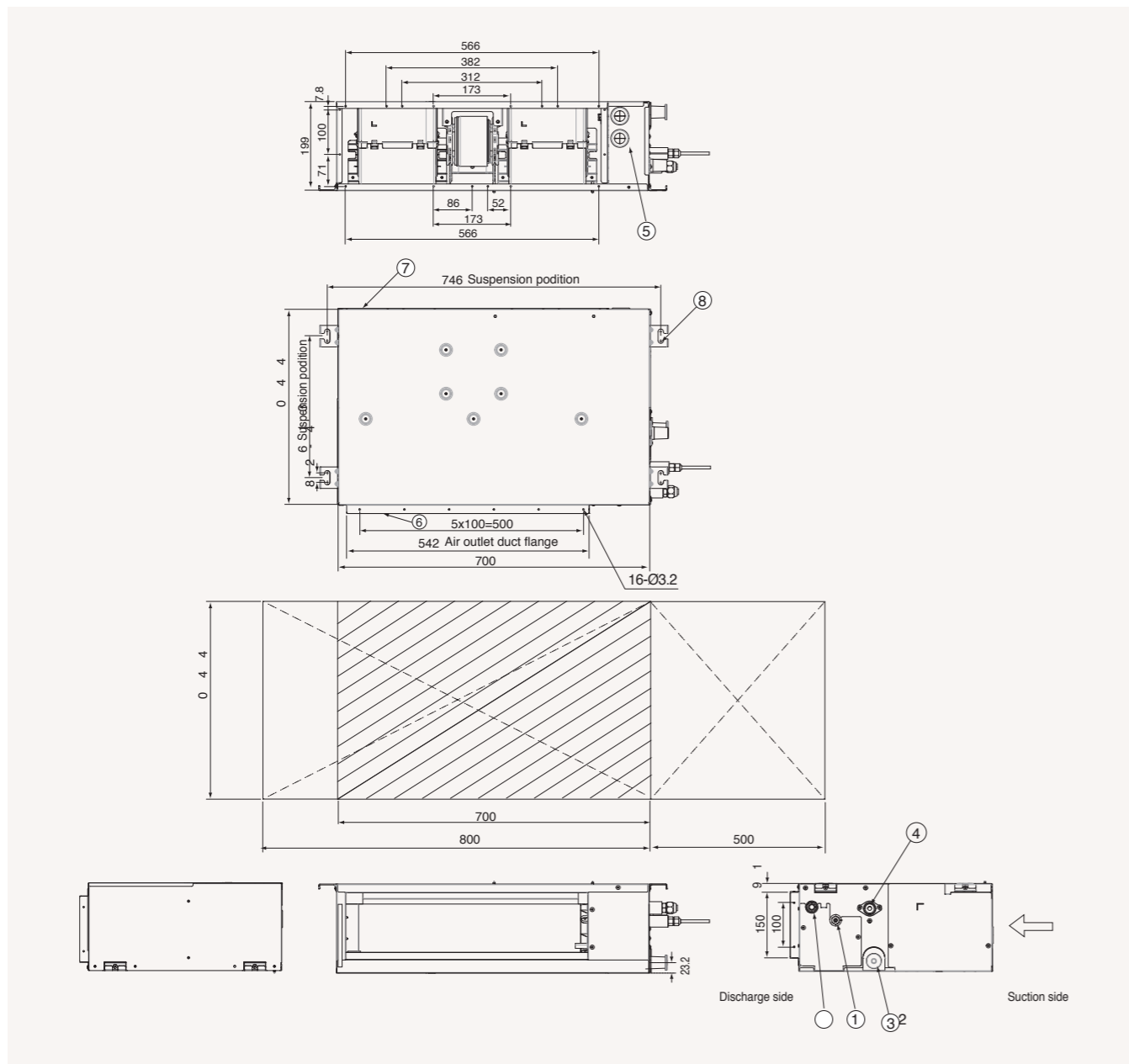
Wireless Remote Controller	Touch Controller	Wired Remote Controller	Wi-Fi Kit	Wireless Receiver Kit	External Room Sensor
AR-EH03E (to be matched with MRK-A10N)	MWR-SH11N	MWR-WG00*N	MIM-H04EN	MRK-A10N (to be matched with AR-EH03E)	MRW-TA

<sup>1</sup> Sound pressure level is obtained in an anechoic room. Sound pressure level is a relative value, depending on the distance and acoustic environment. Sound pressure level may differ depending on operation conditions.

# Dimensional drawings

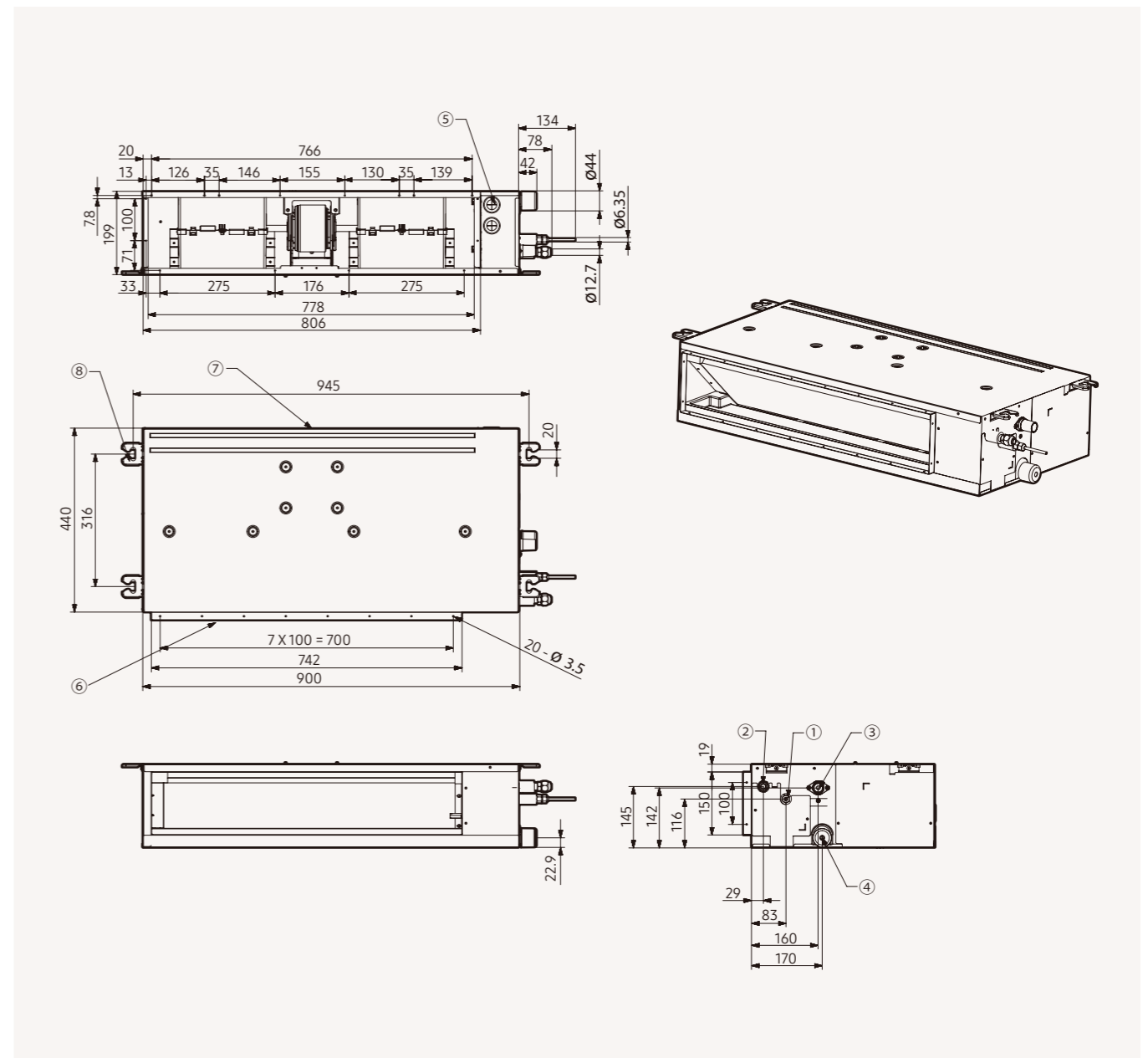
## LSP Duct (drain pump included)

AM017/022/028/036KNLDEH/EU



NO	Name	Description
1	Liquid pipe connection	ø6.35 Flare
2	Gas pipe connection	ø12.70 Flare
3	Drain pipe connection without drain pump	VP25 (OD 32, ID 25)
4	Drain pipe connection with drain pump	VP25 (OD 32, ID 25)
5	Power supply/communication wiring conduits	-
6	Air discharge grille flange	-
7	Return air side	-
8	Hook	ø9.52 or M10

AM045/056MNLDEH/EU

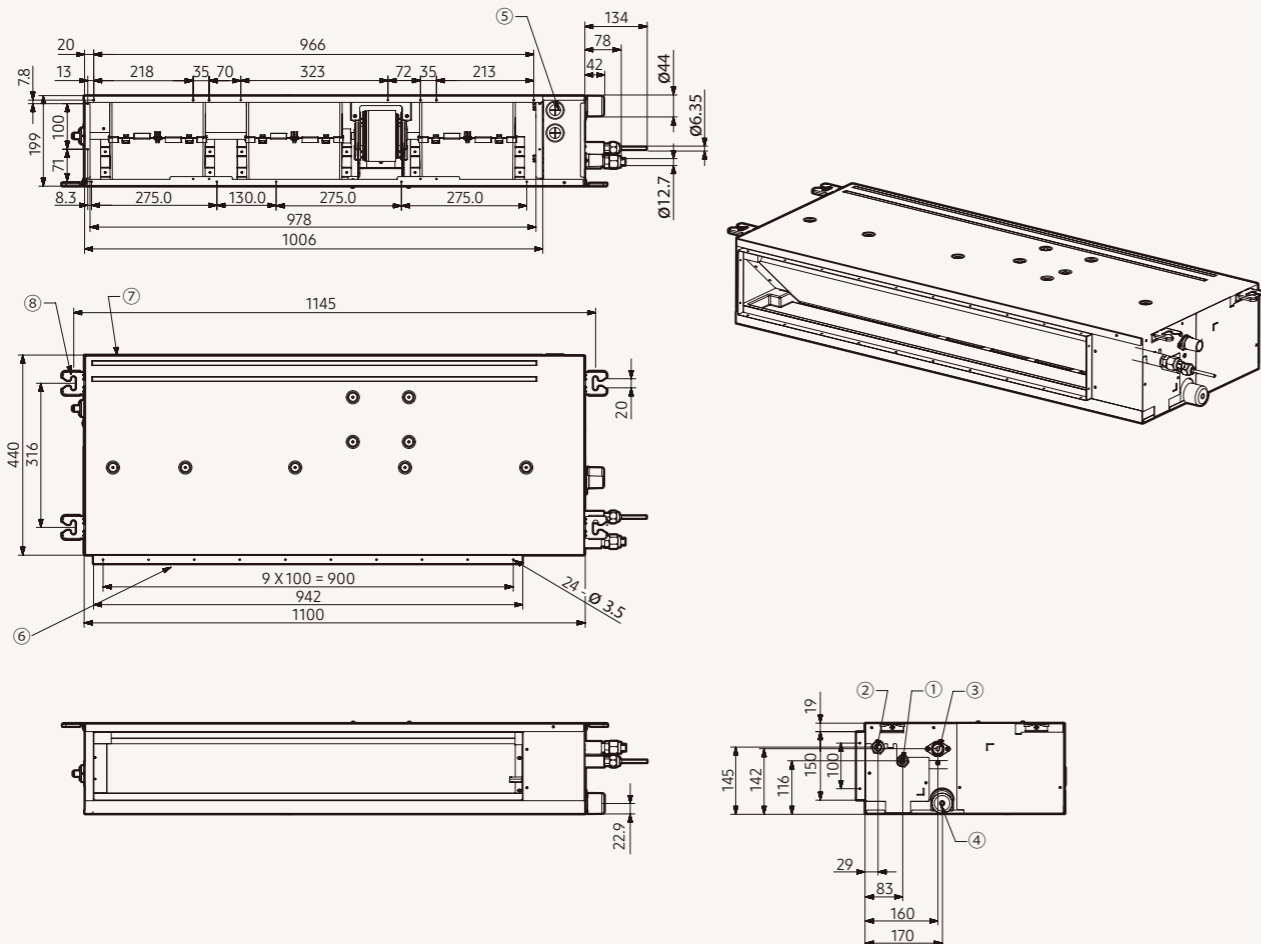


NO	Name	Description
1	Refrigerant Liquid Pipe	Ø6.35 [1/4"] Flare Connection
2	Refrigerant Gas Pipe	Ø12.70 [1/2"] Flare Connection
3	Condensate Drain	VP25 (OD 32, ID 25)
4	Condensate Drain (Option)	VP25 (OD 32, ID 25)
5	Power & Comm. Wiring Conduits	-
6	Supply Air Flange	-
7	Return Air Flange	-
8	Hook	-

# Dimensional drawings

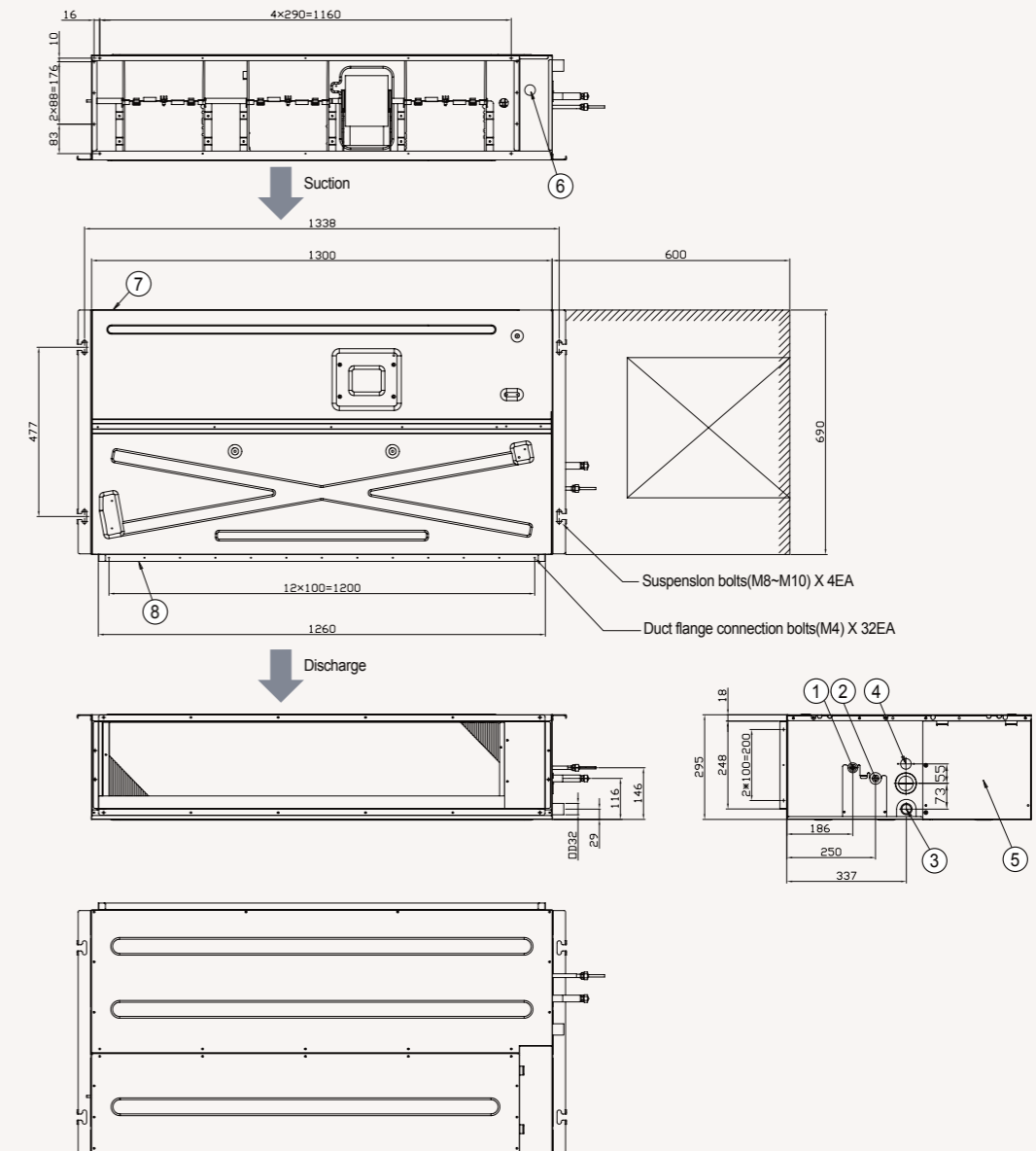
## LSP Duct (drain pump included)

AM071MNLDEH/EU



NO	Name	Description
1	Refrigerant Liquid Pipe	Ø9.52 [3/8"] Flare Connection
2	Refrigerant Gas Pipe	Ø15.88 [5/8"] Flare Connection
3	Condensate Drain	VP25 (OD 32, ID 25)
4	Condensate Drain (Option)	VP25 (OD 32, ID 25)
5	Power & Comm. Wiring Conduits	-
6	Supply Air Flange	-
7	Return Air Flange	-
8	Hook	-

AM090/112/128/140MNLDKH/EU



NO	Name	Description
1	Refrigerant Liquid Pipe	Ø9.52 [3/8"] Flare Connection
2	Refrigerant Gas Pipe	Ø15.88 [5/8"] Flare Connection
3	Drain pipe connection without drain pump	VP25 (OD 32, ID 25)
4	Drain pipe connectino with drain pump	VP25 (OD 32, ID 25)
5	Control unit	-
6	Conduit for power supply & communication wiring	-
7	Return air side	-
8	Air outlet duct flange	-

# Specifications

## MSP Duct (drain pump included)

- Two-position field adjustable air return, on the bottom or at the rear of the unit.
- Equipped with one Sirocco fan direct driven by a single motor.
- Long-life washable permanent filter is included.
- Auto Restart function.
- Automatic ESP setting.
- Built-in condensation drain pump.
- Optional SPI Kit.



Model		AM022ANMPKH/EU	AM028ANMPKH/EU	AM036ANMPKH/EU	
<b>Power Supply</b>	<b>Φ, #, V, Hz</b>	1Φ, 2, 220-240 V, 50/60 Hz	1Φ, 2, 220-240 V, 50/60 Hz	1Φ, 2, 220-240 V, 50/60 Hz	
<b>Performance</b>	<b>Capacity (Nominal)</b>	<b>Cooling kW</b>	2.2	2.8	3.6
		<b>Heating kW</b>	2.5	3.2	4.0
<b>Power</b>	<b>Power Input (Nominal)</b>	<b>Cooling W</b>	42	42	45
		<b>Heating W</b>	42	42	45
	<b>Current Input (Nominal)</b>	<b>Cooling A</b>	0.4	0.4	0.4
		<b>Heating A</b>	0.4	0.4	0.4
	<b>Current</b>	<b>MCA A</b>	0.67	0.67	0.81
		<b>MFA/MOP A</b>	15	15	15
<b>Fan</b>	<b>Type</b>	-	Sirocco Fan	Sirocco Fan	
	<b>Number of Fans</b>	ea	2	2	2
	<b>Airflow Rate</b>	<b>H/M/L (UL) m³/min</b>	10.5 / 9.0 / 7.0	10.5 / 9.0 / 7.0	12.0 / 9.5 / 7.5
		<b>l/s</b>	170 / 150 / 115	170 / 150 / 115	200 / 158 / 125
	<b>External Pressure</b>	<b>Min/Std/Max mmAq</b>	0 / 2.5 / 15	0 / 2.5 / 15	0 / 2.5 / 15
<b>Pa</b>		0.00 / 24.52 / 14710	0.00 / 24.52 / 14710	0.00 / 24.52 / 14710	
<b>Fan Motor</b>	<b>Model</b>	-	BLDC motor (feedback)	BLDC motor (feedback)	
	<b>Output x n</b>	W	153 x 1	153 x 1	153 x 1
<b>Piping Connections</b>	<b>Liquid Pipe</b>	<b>ø, mm</b>	6.35	6.35	6.35
		<b>ø, inch</b>	1/4	1/4	1/4
	<b>Gas Pipe</b>	<b>ø, mm</b>	12.70	12.70	12.70
		<b>ø, inch</b>	1/2	1/2	1/2
<b>Drain Pipe</b>	<b>ø, mm</b>	VP25 (OD 32, ID 25)	VP25 (OD 32, ID 25)	VP25 (OD 32, ID 25)	
<b>Wiring Connections</b>	<b>For power supply</b>	<b>Minimum mm²</b>	1.5	1.5	1.5
	<b>Connection with Indoor</b>	<b>Minimum mm²</b>	0.75	0.75	0.75
	<b>Remark</b>	-	F1, F2	F1, F2	F1, F2
<b>Refrigerant</b>	<b>Type</b>	-	R410A(Fluorinated greenhouse gas, GWP=2,088)		
	<b>Control Method</b>	-	EEV Included	EEV Included	EEV Included
<b>Sound</b>	<b>Sound Pressure<sup>1</sup></b>	<b>(H/M/L) dB(A)</b>	28/26/24	28/26/24	30/27/24
	<b>Sound Power</b>	<b>Cooling (Nominal) dB(A)</b>	50	51	53
<b>Dimensions</b>	<b>Net Weight</b>	<b>kg</b>	27.9	27.9	27.5
	<b>Net Dimensions (W x H x D)</b>	<b>mm</b>	850 x 250 x 700	850 x 250 x 700	850 x 250 x 700
<b>Air Filter</b>	<b>Type</b>	-	Long life filter	Long life filter	Long life filter
<b>Additional Accessories</b>	<b>Drain Pump</b>	<b>Model</b>	INCLUDED	INCLUDED	INCLUDED
	<b>Max. Lifting Height</b>	<b>mm</b>	750	750	750

AM045ANMPKH/EU	AM056ANMPKH/EU	AM071ANMPKH/EU	AM090ANMPKH/EU	AM112ANMPKH/EU	AM128ANMPKH/EU	AM140ANMPKH/EU
1Φ, 2, 220-240 V, 50/60 Hz	1Φ, 2, 220-240 V, 50/60 Hz	1Φ, 2, 220-240 V, 50/60 Hz	1Φ, 2, 220-240 V, 50/60 Hz	1Φ, 2, 220-240 V, 50/60 Hz	1Φ, 2, 220-240 V, 50/60 Hz	1Φ, 2, 220-240 V, 50/60 Hz
4.5	5.6	7.1	9.0	11.2	12.8	14.0
5.0	6.3	8.0	10.0	12.5	13.8	16.0
55	70	110	135	130	160	210
55	70	110	135	130	160	210
0.5	0.6	1.0	1.2	1.2	1.4	1.7
0.5	0.6	1.0	1.2	1.2	1.4	1.7
0.89	1.08	1.48	1.78	1.97	2.17	2.38
15	15	15	15	15	15	15
Sirocco Fan	Sirocco Fan	Sirocco Fan	Sirocco Fan	Sirocco Fan	Sirocco Fan	Sirocco Fan
2	2	2	3	3	3	3
14.0 / 11.0 / 8.0	16.0 / 13.5 / 9.0	22.0 / 18.0 / 13.0	27.0 / 22.0 / 16.0	30.0 / 25.0 / 18.0	36.0 / 30.0 / 23.0	40.0 / 34.0 / 24.0
233 / 183 / 133	267 / 225 / 150	350 / 300 / 217	450 / 367 / 267	500 / 417 / 300	600 / 500 / 383	667 / 567 / 400
0 / 3 / 15	0 / 3 / 15	0 / 3 / 15	0 / 4 / 15	0 / 5.2 / 15	0 / 5.2 / 15	0 / 5.2 / 15
0.00 / 29.42 / 14710	0.00/29.42/14710	0.00/29.42/14710	0.00 / 39.23/14710	0.00 / 50.99/14710	0.00 / 50.99/14710	0.00 / 50.99/14710
BLDC motor (feedback)	BLDC motor (feedback)	BLDC motor (feedback)	BLDC motor (feedback)	BLDC motor (feedback)	BLDC motor (feedback)	BLDC motor (feedback)
153 x 1	153 x 1	153 x 1	153 x 1	244 x 1	244 x 1	244 x 1
6.35	6.35	9.52	9.52	9.52	9.52	9.52
1/4	1/4	3/8	3/8	3/8	3/8	3/8
12.70	12.70	15.88	15.88	15.88	15.88	15.88
1/2	1/2	5/8	5/8	5/8	5/8	5/8
VP25 (OD 32, ID 25)	VP25 (OD 32, ID 25)	VP25 (OD 32, ID 25)	VP25 (OD 32, ID 25)	VP25 (OD 32, ID 25)	VP25 (OD 32, ID 25)	VP25 (OD 32, ID 25)
1.5	1.5	1.5	1.5	1.5	1.5	1.5
0.75	0.75	0.75	0.75	0.75	0.75	0.75
F1, F2	F1, F2	F1, F2	F1, F2	F1, F2	F1, F2	F1, F2
R410A(Fluorinated greenhouse gas, GWP=2,088)						
EEV Included	EEV Included	EEV Included	EEV Included	EEV Included	EEV Included	EEV Included
31/28/25	32/29/25	36/32/27	37/33/29	36/33/30	37/34/31	39/36/33
54	57	60	61	61	62	64
27.5	27.5	27.5	35.0	39.5	39.5	39.5
850 x 250 x 700	850 x 250 x 700	850 x 250 x 700	1,200 x 250 x 700	1,300 x 300 x 700	1,300 x 300 x 700	1,300 x 300 x 700
Long life filter	Long life filter	Long life filter	Long life filter	Long life filter	Long life filter	Long life filter
INCLUDED	INCLUDED	INCLUDED	INCLUDED	INCLUDED	INCLUDED	INCLUDED
750	750	750	750	750	750	750

### Accessories



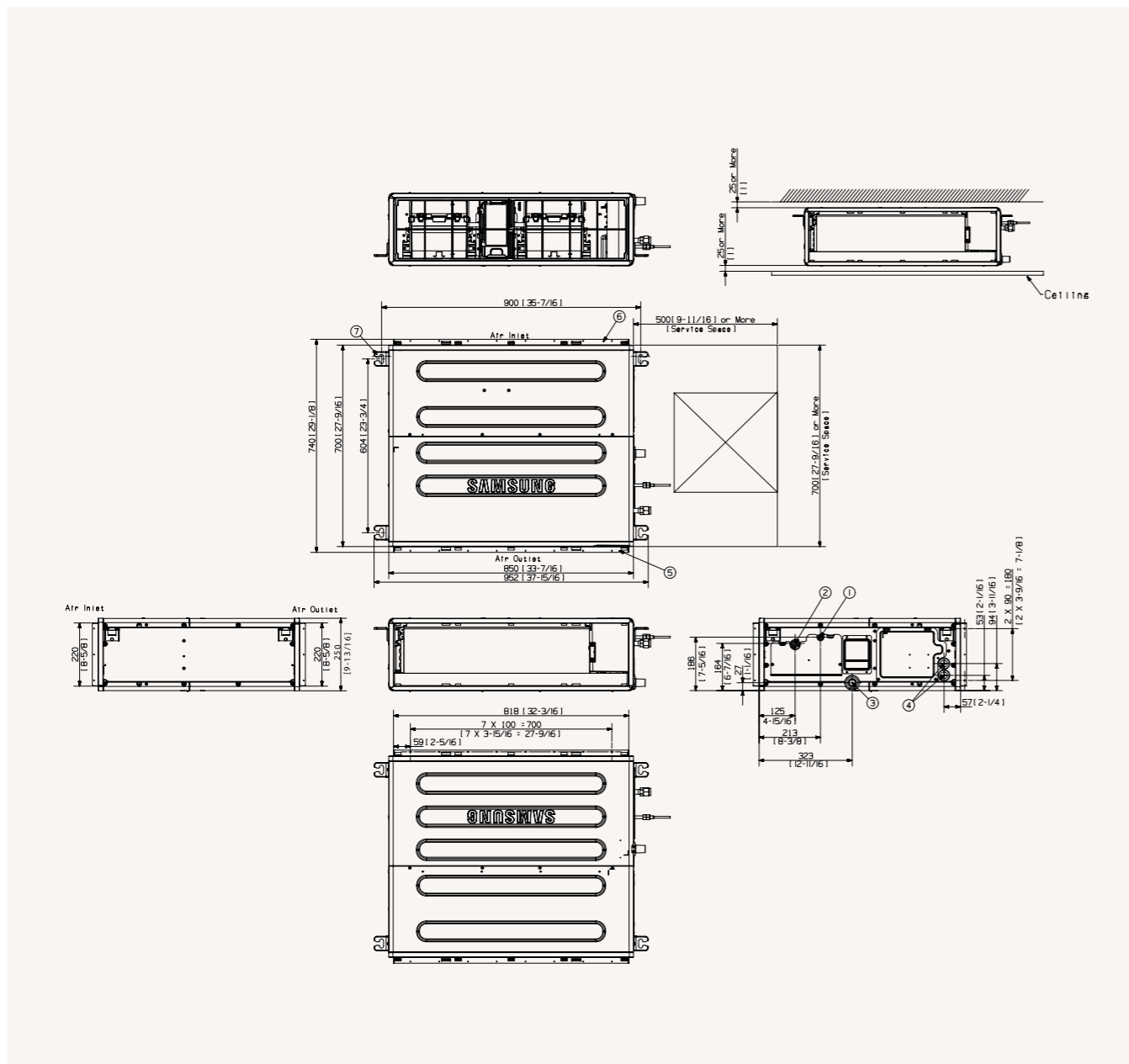
Wireless Remote Controller	Touch Controller	Wi-Fi Kit	Wireless Receiver Kit	External Room Sensor	SPI Kit
AR-EH03E (to be matched with MRK-A10N)	MWR-SH11N	MIM-H04EN	AR-EH03E (to be matched with MRK-A10N)	MRW-TA	MSD-EAN1

<sup>1</sup> Sound pressure level is obtained in an anechoic room. Sound pressure level is a relative value, depending on the distance and acoustic environment. Sound pressure level may differ depending on operation conditions.

# Dimensional drawings

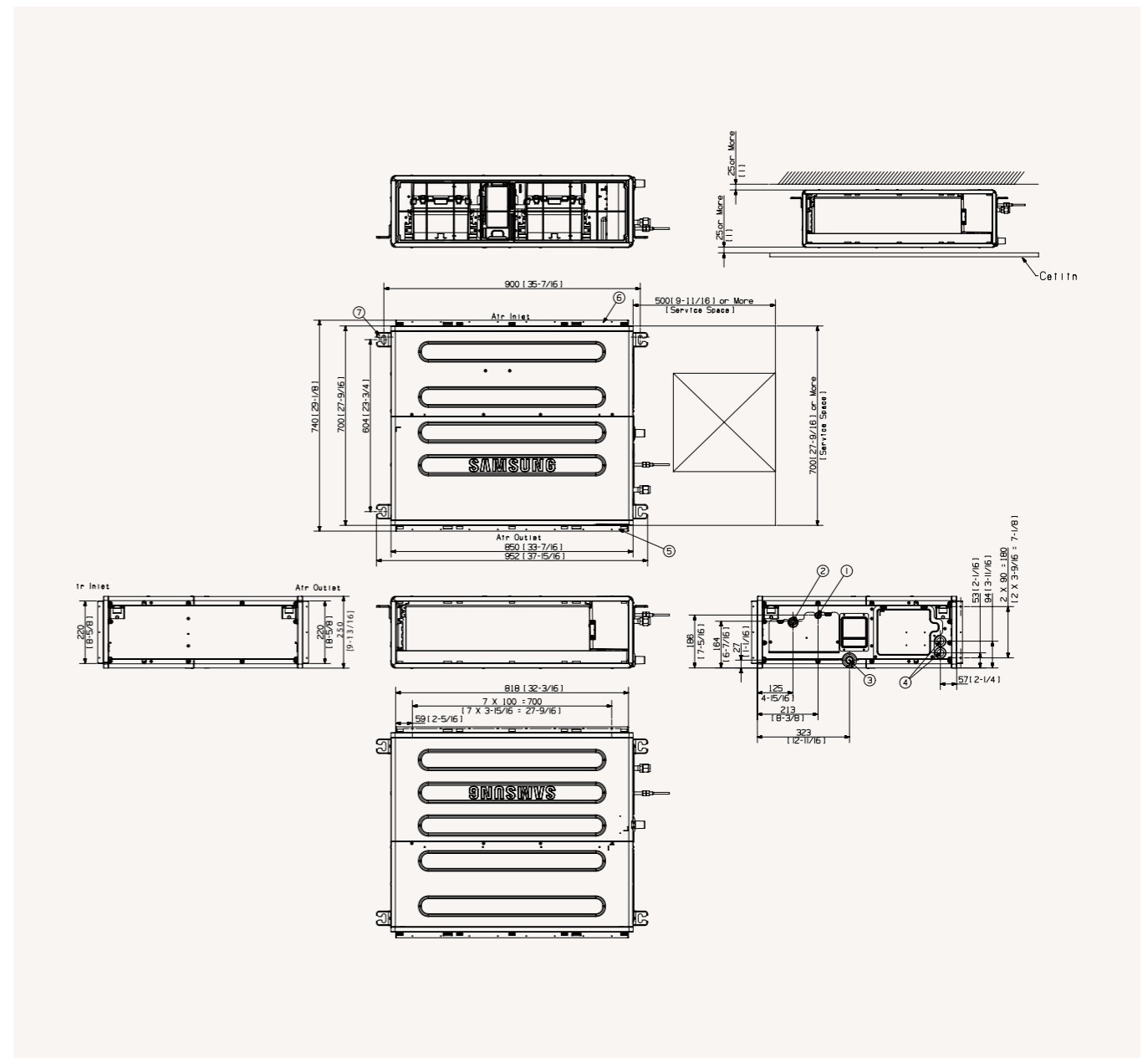
## MSP Duct (drain pump included)

AM022/028ANMPKH/EU



NO	Name	Description
1	Liquid pipe connection	ø6.35 Flare
2	Gas pipe connection	ø12.70 Flare
3	Drain pipe connection without drain pump	VP25 (OD 32, ID 25)
4	Drain pipe connection with drain pump	VP25 (OD 32, ID 25)
5	Control unit	-
6	Power supply/communication wiring conduits	-
7	Return air side	-
8	Air outlet duct flange	-

AM036/045/056/071ANMPKH/EU

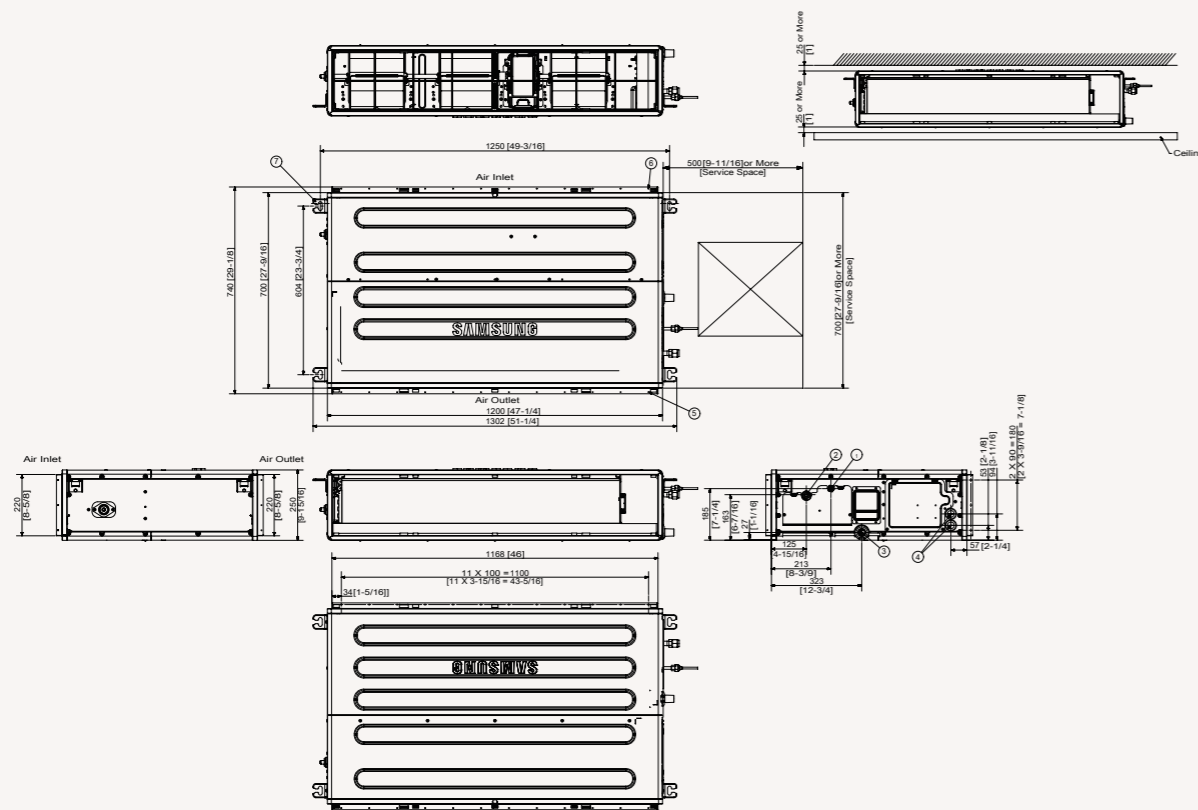


NO	Name	Description	
		AM036/045/056ANMPKH/EU	AM071ANMPKH/EU
1	Refrigerant Liquid Pipe	ø6.35 Flare	ø9.52 Flare
2	Refrigerant Gas Pipe	ø12.70 Flare	ø15.88 Flare
3	Condensate Drain	-	VP25 (OD 32, ID 25)
4	Power & Comm. Wiring Conduits	-	-
5	Supply Air Flange	-	-
6	Return Air Flange	-	-
7	Hook	-	-

# Dimensional drawings

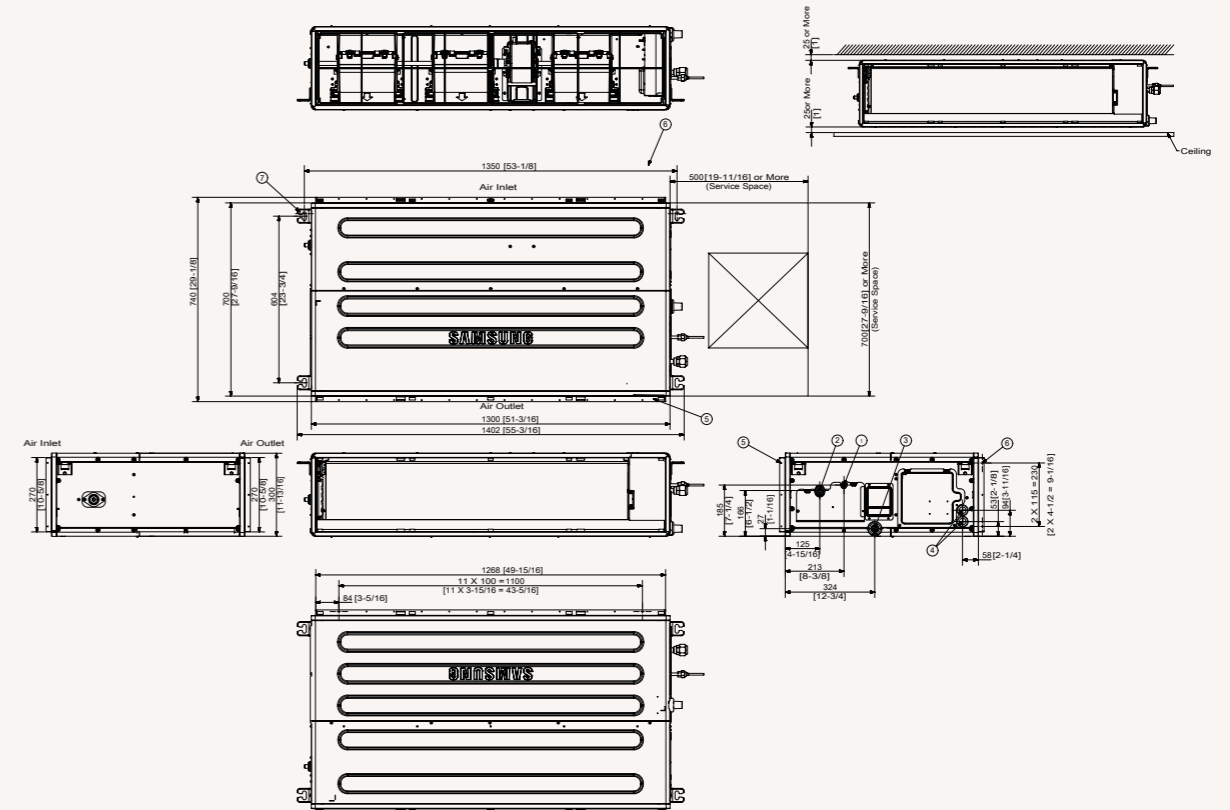
## MSP Duct

AM090ANMPKH/EU



NO	Name	Description
1	Refrigerant Liquid Pipe	Ø9.52 [3/8"] Flare Connection
2	Refrigerant Gas Pipe	Ø15.88 [5/8"] Flare Connection
3	Condensate Drain	VP25 (OD 32, ID 25)
4	Power & Comm. Wiring Conduits	-
5	Supply Air Flange	-
6	Return Air Flange	-
7	Hook	-

AM112/128/140ANMPKH/EU



NO	Name	Description
1	Refrigerant Liquid Pipe	Ø9.52 [3/8"] Flare Connection
2	Refrigerant Gas Pipe	Ø15.88 [5/8"] Flare Connection
3	Condensate Drain	VP25 (OD 32, ID 25)
4	Power & Comm. Wiring Conduits	-
5	Supply Air Flange	-
6	Return Air Flange	-
7	Hook	-

# Specifications

## HSP Duct

- Two-position field adjustable air return, on the bottom or at the rear of the unit.
- Equipped with two Sirocco fans direct driven by a single motor.
- Auto Restart function.
- Auto ESP setting (model-specific).
- Long-life HD 40 permanent filter is included (model-specific).
- Optional SPI kit (model-specific).



Model				AM056ANHPKH/EU	AM071ANHPKH/EU	AM090ANHPKH/EU	
Power Supply		Φ, #, V, Hz		1Φ, 2, 220-240 V, 50/60 Hz	1Φ, 2, 220-240 V, 50/60 Hz	1Φ, 2, 220-240 V, 50/60 Hz	
Performance	Capacity (Nominal)	Cooling	kW	5.6	7.1	9.0	
		Heating	kW	6.3	8.0	10.0	
Power	Power Input (Nominal)	Cooling	W	70.0	120.0	145.0	
		Heating	W	70.0	120.0	145.0	
	Current Input (Nominal)	Cooling	A	0.70	1.00	1.20	
		Heating	A	0.70	1.00	1.20	
	Current Input (Nominal)	MCA	A	1.37	1.62	2.05	
		MFA/MOP	A	15	15	15	
Fan	Type		-	Sirocco Fan	Sirocco Fan	Sirocco Fan	
	Number of Fans	ea		3	3	3	
	Airflow Rate	H/M/L (UL)	m <sup>3</sup> /min		18.00/16.00/14.00	22.00/19.00/16.00	29.00/25.00/22.00
			l/s		300.00 / 267.00 / 233.00	367.00 / 317.00 / 267.00	483.00 / 417.00 / 367.00
External Static Pressure	Min/Std/Max	mmAq		0 / 3.00 / 20.00	0 / 3.00 / 20.00	0 / 3.00 / 20.00	
		Pa		0 / 29.42 / 196.13	0 / 29.42 / 196.13	0 / 29.42 / 196.13	
Fan Motor	Model		-	BLDC motor	BLDC motor	BLDC motor	
	Output x n	W		153 x 1	153 x 1	153 x 1	
Piping Connections	Liquid Pipe	ø, mm		6.35	9.52	9.52	
		ø, inch		1/4"	3/8"	3/8"	
	Gas Pipe	ø, mm		12.7	15.88	15.88	
		ø, inch		1/2"	5/8"	5/8"	
Drain Pipe	ø, mm		VP25 (OD 32, ID 25)	VP25 (OD 32, ID 25)	VP25 (OD 32, ID 25)		
Field Wiring	Power Source Wire	Below 20 m / over 20 m	mm <sup>2</sup>	1.5	1.5	1.5	
	Transmission Cable	Transmission Cable	mm <sup>2</sup>	0.75	0.75	0.75	
	Remark			F1,F2	F1,F2	F1,F2	
Refrigerant	Type		-	R410A(Fluorinated greenhouse gas, GWP=2,088)			
	Control Method		-	EEV INCLUDED	EEV INCLUDED	EEV INCLUDED	
Sound <sup>1</sup>	Sound Pressure <sup>1</sup>	(H/M/L)	dB(A)	31/28/25	32/29/26	34/31/28	
		Cooling	dB(A)	58	58	60	
Dimensions	Net Weight		kg	35.4	35.4	35.4	
	Net Dimensions (W x H x D)		mm	1,200x250x700	1,200x250x700	1,200x250x700	
Air Filter				Long-life Filter	Long-life Filter	Long-life Filter	
Additional Accessories	Drain Pump	Internal		INCLUDED	INCLUDED	INCLUDED	
		External		-	-	-	
	Max. Lifting Height/ Displacement	mm / litres/h		750/24	750/24	750/24	



AM112ANHPKH/EU	AM128ANHPKH/EU	AM140ANHPKH/EU	AM180JNHPKH/EU	AM220FNHDEH/EU	AM280FNHDEH/EU
1Φ, 2, 220-240 V, 50/60 Hz	1Φ, 2, 220-240 V, 50/60 Hz	1Φ, 2, 220-240 V, 50/60 Hz	1Φ, 2, 220-240 V, 50 Hz	1Φ, 2, 220-240 V, 50 Hz	1Φ, 2, 220-240 V, 50 Hz
11.2	12.8	14.0	18.0	22.4	28.0
12.5	13.8	16.0	20.0	25.0	31.5
130	185	220	340	530	790
130	185	220	340	530	790
1.20	1.30	1.50	1.90	3.80	5.90
1.20	1.30	1.50	1.90	3.80	5.90
2.41	2.96	3.23	-	-	-
15	15	15	-	-	-
Sirocco Fan	Sirocco Fan	Sirocco Fan	Sirocco Fan	Sirocco Fan	Sirocco Fan
3	3	3	1	1	1
32.0 / 26.0 / 20.0	37.0 / 30.0 / 22.0	41.0 / 34.0 / 25.0	58.0 / 50.0 / 43.0	58.0 / 52.0 / 47.0	72.0 / 65.0 / 58.0
533.00 / 433.00 / 333.00	617.00 / 500.00 / 367.00	683.00 / 567.00 / 417.00	966.67/833.33/716.67	966.67/866.67/783.33	1,200.00/1,083.33/966.67
3.00 / 6.20 / 20.00	3.00 / 6.20 / 20.00	3.00 / 6.20 / 20.00	5.00/7.34/20.00	5.00/15.00/25.00	5.00/15.00/28.00
29.42 / 60.80 / 196.13	29.42 / 60.80 / 196.13	29.42 / 60.80 / 196.13	49.00/71.93/196.00	49.03/147.10/245.17	49.03/147.10/274.59
BLDC motor	BLDC motor	BLDC motor	-	-	-
350 x 1	350 x 1	350 x 1	630 x 1	400 x 1	400 x 1
9.52	9.52	9.52	9.52	9.52	9.52
3/8"	3/8"	3/8"	3/8"	3/8"	3/8"
15.88	15.88	15.88	19.05	19.05	22.23
5/8"	5/8"	5/8"	3/4	3/4	3/4
VP25 (OD 32, ID 25)	VP25 (OD 32, ID 25)	VP25 (OD 32, ID 25)	VP25 (OD 32, ID 25)	VP25 (OD 32, ID 25)	VP25 (OD 32, ID 25)
1.5	1.5	1.5	1.5/2.5	1.5/2.5	1.5/2.5
0.75	0.75	0.75	0.75-1.50	0.75-1.50	0.75-1.50
F1,F2	F1,F2	F1,F2	F1,F2	F1,F2	F1,F2
R410A(Fluorinated greenhouse gas, GWP=2,088)					
EEV INCLUDED	EEV INCLUDED	EEV INCLUDED	EEV INCLUDED	EEV INCLUDED	EEV INCLUDED
36/33/30	39/36/33	42/38/34	43/39/35	45/43/41	48/46/43
61	64	65			
44.5	44.5	44.5	82.5	89.0	89.0
1300 x 300 x 700	1300 x 300 x 700	1300 x 300 x 700	1,350 x 450 x 910	1,240 x 470 x 1,040	1,240 x 470 x 1,040
Long-life Filter	Long-life Filter	Long-life Filter	-	-	-
INCLUDED	INCLUDED	INCLUDED	MDP-G075SP	MDP-N047SNC1D	MDP-N047SNC1D
-	-	-	MDP-G075SQ	-	-
750/24	750/24	750/24	-	750/24	750/24

### Accessories



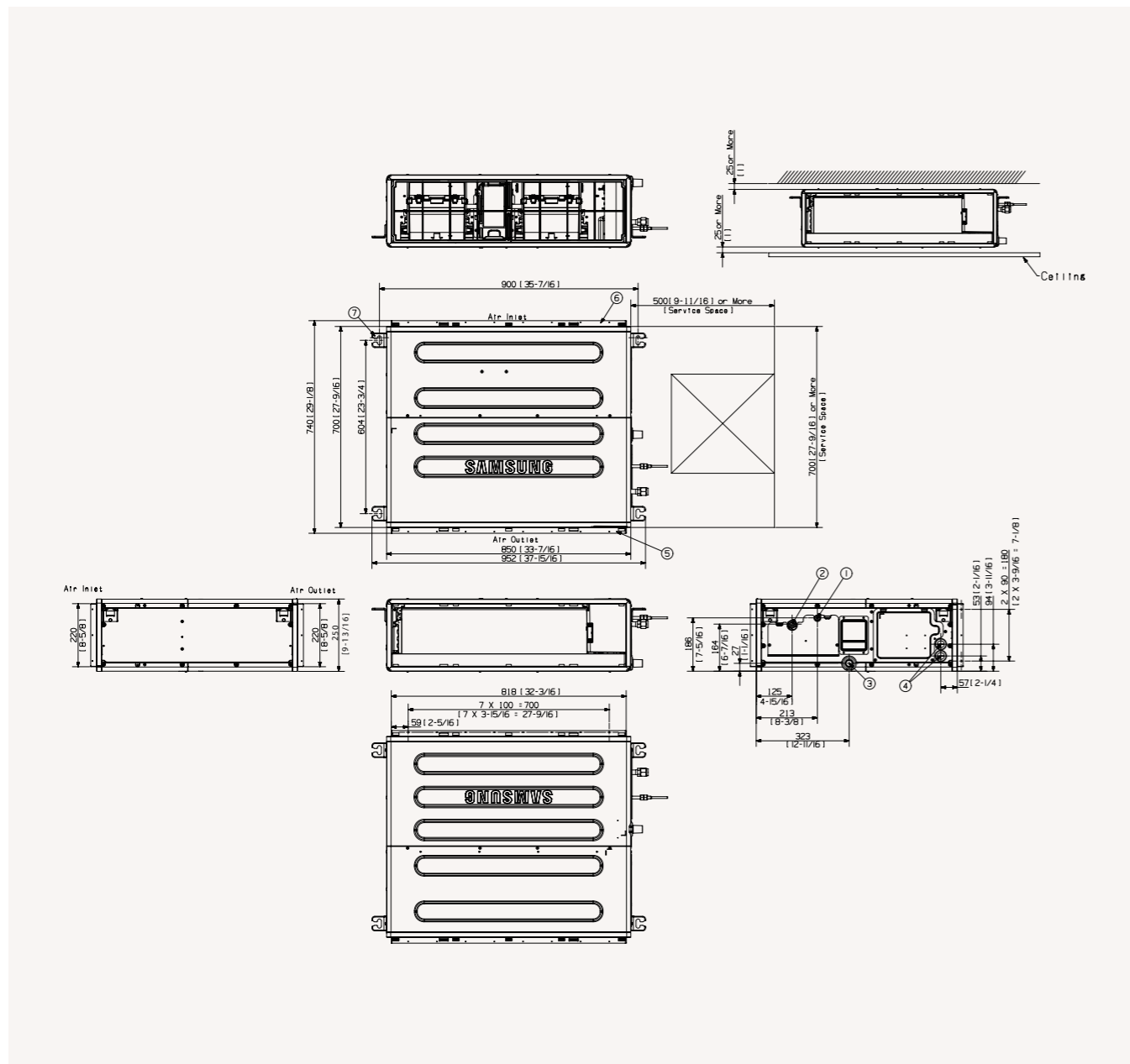
Drain Pump (optional)	Drain Pump (optional)	Wireless Remote Controller	Touch Controller	Wired Remote Controller	Wi-Fi Kit	Wireless Receiver Kit	External Room Sensor	SPI Kit
MDP-G075SP/Q	MDP-N047SNC1D	AR-EH03E (to be matched with MRK-A10N)	MWR-SH11N	MWR-WG00*N	MIM-H04EN	MRK-A10N (to be matched with AR-EH03E)	MRW-TA	MSD-EAN1

<sup>1</sup> Sound pressure level is obtained in an anechoic room. Sound pressure level is a relative value, depending on the distance and acoustic environment. Sound pressure level may differ depending on operation conditions.

# Dimensional drawings

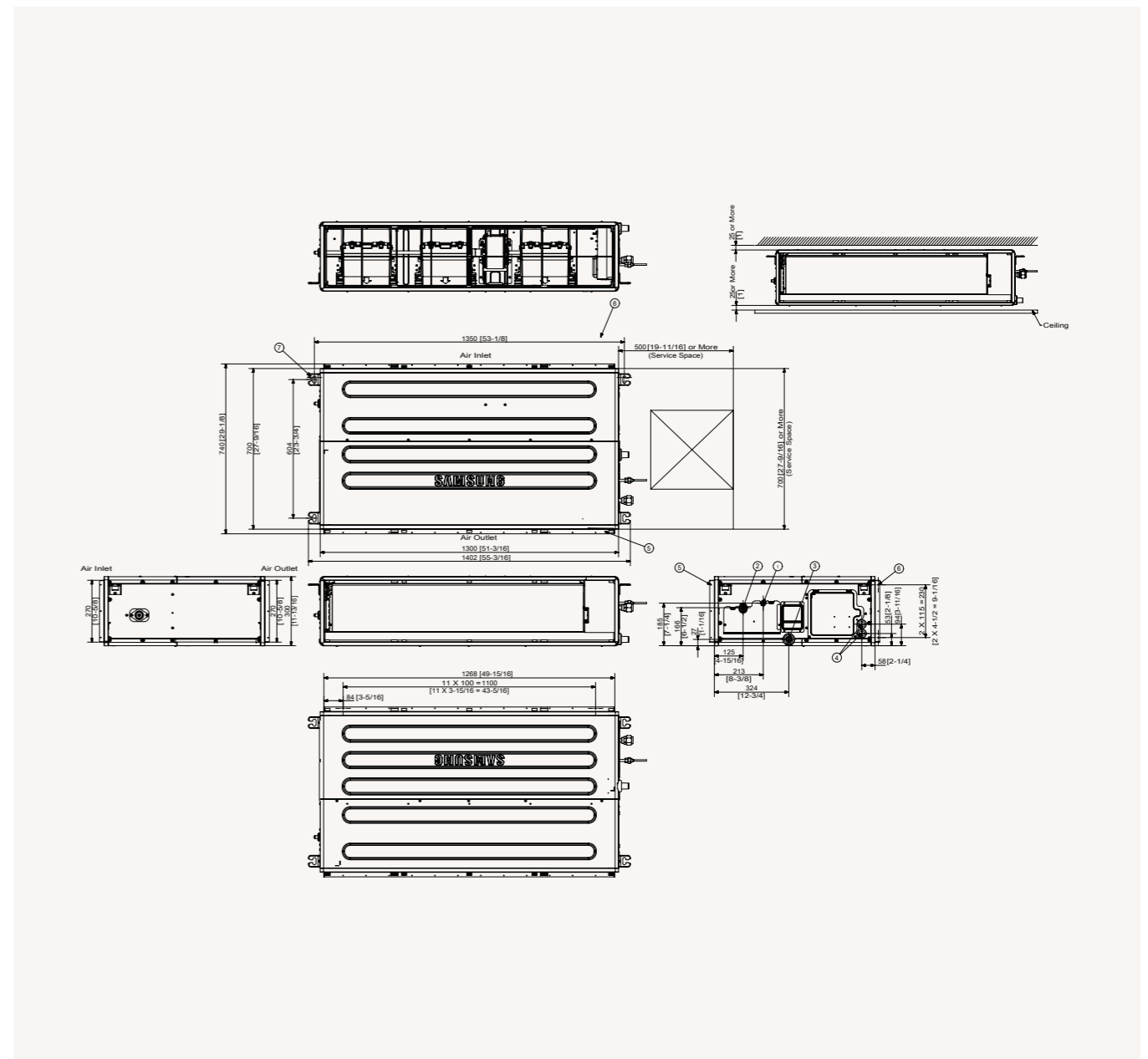
## HSP Duct

AM056/070/090ANHPKH/EU



NO	Name	Description
1	Refrigerant Liquid Pipe	Ø9.52 [3/8"] Flare Connection
2	Refrigerant Gas Pipe	Ø15.88 [5/8"] Flare Connection
3	Condensate Drain	VP25 (OD 32, ID 25)
4	Power & Comm. Wiring Conduits	-
5	Supply Air Flange	-
6	Return Air Flange	-
7	Hook	-
8	Hook	3/8 or M10

AM112/128/140ANHPKH/EU



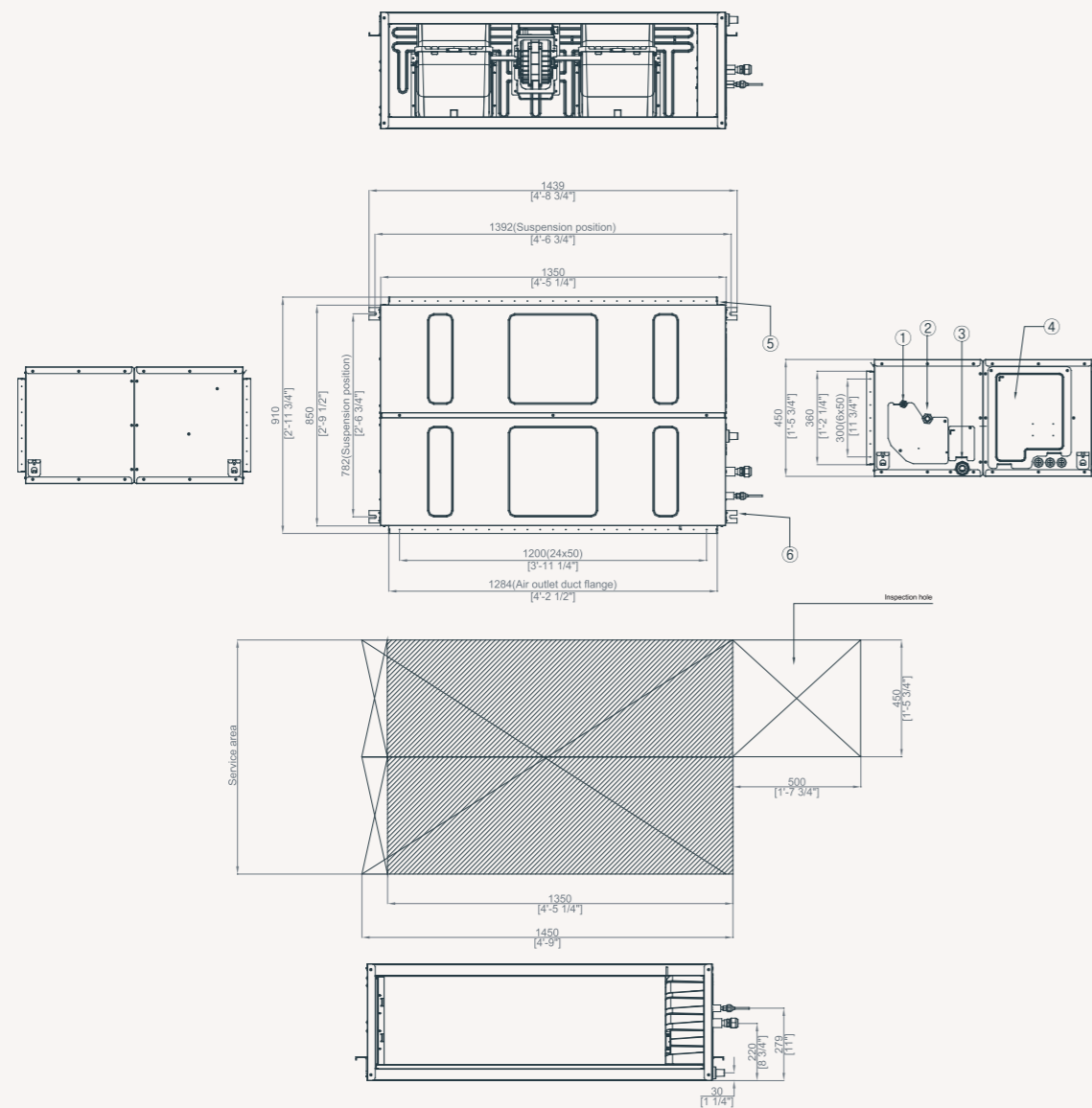
NO	Name	Description
1	Refrigerant Liquid Pipe	Ø9.52 [3/8"] Flare Connection
2	Refrigerant Gas Pipe	Ø15.88 [5/8"] Flare Connection
3	Condensate Drain	VP25 (OD 32, ID 25)
4	Power & Comm. Wiring Conduits	-
5	Supply Air Flange	-
6	Return Air Flange	-
7	Hook	-
8	Hook	3/8 or M10



# Dimensional drawings

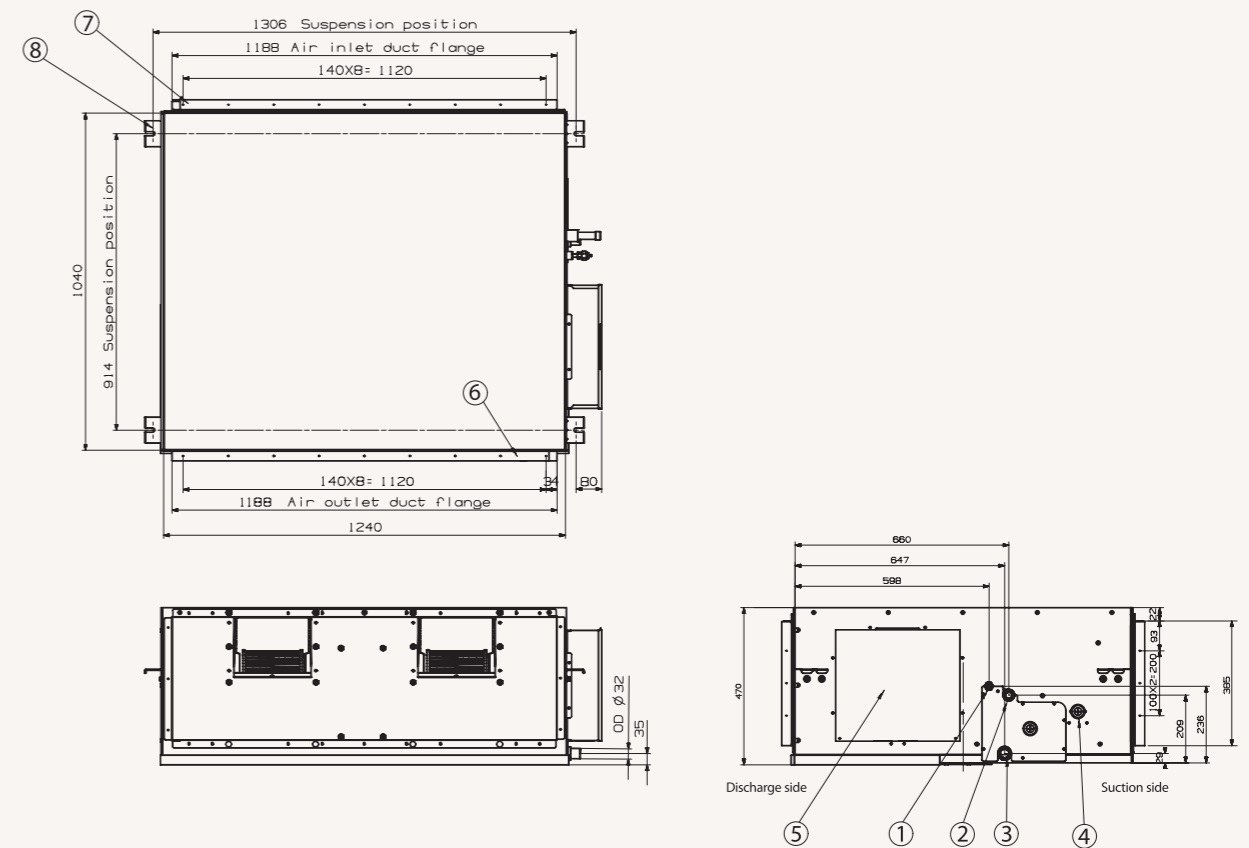
## HSP Duct

AM180JNHFKH/EU



NO	Name
1	Liquid pipe connection
2	Gas pipe connection
3	Drain pipe connection
4	Power supply connection
5	Air discharge flange
6	Hook

AM220/280FNHDEH\*\*\*



NO	Name	Description
1	Liquid pipe connection	ø9.52 (3/8)
2	Gas pipe connection	AM220***: ø19.05 (3/4), AM280***: ø22.22 (7/8)
3	Drain pipe connection	VP25 (OD 32, ID 25)
4	Power supply connection	VP25 (OD 32, ID 25)
5	Air discharge flange	
6	Hook	
7	Suction flange	
8	Hook	3/8 or M10

# Specifications

## Console

- SPI Kit for air purification included as standard.
- Slim design: only 199 mm in width.
- Turbo fan with single-phase inverter motor.
- Two separate air outlets to avoid stratification.

- Long-life washable permanent filter.
- Compatible with Wi-Fi Kit controller.
- Auto Restart function.



Model			AM028FNJDEH/EU	AM028FNJDEH/EU	AM036FNJDEH/EU	AM045KNJDEH/EU	AM056FNJDEH/EU	
Power Supply		Φ, #, V, Hz	1Φ, 2, 220-240 V, 50 Hz	1Φ, 2, 220-240 V, 50 Hz	1Φ, 2, 220-240 V, 50 Hz	1Φ, 2, 220-240 V, 50 Hz	1Φ, 2, 220-240 V, 50 Hz	
Performance	Capacity (Nominal)	Cooling	kW	2.8	2.8	3.6	4.5	5.6
		Heating	kW	3.2	3.2	4	5	6.3
Power	Power Input (Nominal)	Cooling	W	30	30	35	36	62
		Heating	W	30	30	35	36	62
	Current Input (Nominal)	Cooling	A	0.25	0.25	0.29	0.30	0.49
		Heating	A	0.25	0.25	0.29	0.30	0.49
Fan	Motor	Type	-	Turbo Fan	Turbo Fan	Turbo Fan	Turbo Fan	Turbo Fan
		Output x n	w	37	37	37	37 x 1	37
		Number of Fans	ea	1	1	1	-	1
	Airflow Rate	H/M/L (UL)	m <sup>3</sup> /min	7.00/6.00/5.00	7.00/6.00/5.00	8.50/7.50/6.50	11.30/9.80/8.20	13.00/11.50/10.00
			l/s	116.67/100.00/83.33	116.67/100.00/83.33	141.67/125.00/108.33	188.33/163.33/136.67	216.67/191.67/166.67
Piping Connections	Liquid Pipe	ø, mm	6.35	6.35	6.35	6.35	6.35	
		ø, inch	1/4	1/4	1/4	1/4	1/4	
	Gas Pipe	ø, mm	12.7	12.7	12.7	12.7	12.7	
		ø, inch	1/2	1/2	1/2	1/2	1/2	
Drain Pipe	ø, mm	ID 18 HOSE	ID 18 HOSE	ID 18 HOSE	ID 18 HOSE	ID 18 HOSE		
Field Wiring	Power Source Wire	mm <sup>2</sup>	1.5/2.5	1.5/2.5	1.5/2.5	1.5-2.5	1.5/2.5	
	Transmission Cable	mm <sup>2</sup>	0.75-1.50	0.75-1.50	0.75-1.50	0.75-1.50	0.75-1.50	
Refrigerant	Type	-	R410A(Fluorinated greenhouse gas, GWP=2,088)					
	Control Method	-	EEV INCLUDED	EEV INCLUDED	EEV INCLUDED	EEV INCLUDED	EEV INCLUDED	
Sound	Pressure <sup>1</sup>	(H/M/L)	dB(A)	38/36/34	38/36/34	39/37/34	42/39/36	43/40/37
	Power	Cooling	dB(A)	58	58	59	63	64
Dimensions	Net Weight	kg	16.0	16.0	16.0	16.0	16.0	
	Net Dimensions (W x H x D)	mm	720 x 620 x 199	720 x 620 x 199	720 x 620 x 199	720 x 620 x 199	720 x 620 x 199	
Air Filter		-	Long-life Filter	Long-life Filter	Long-life Filter	-	Long-life Filter	

### Accessories

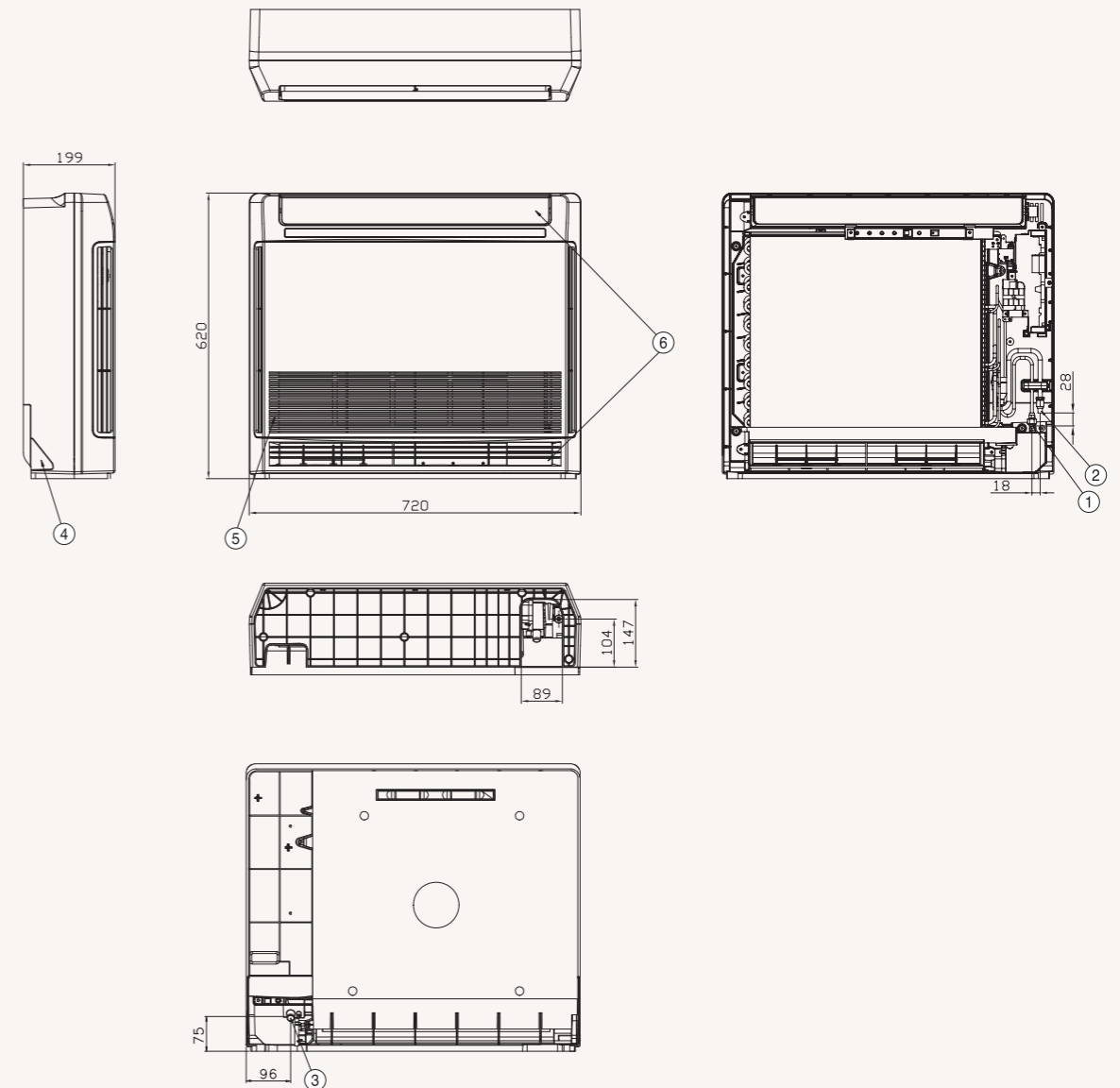


Touch Controller	Wired Remote Controller	Wi-Fi Kit	External Room Sensor	EEV Kit 1 Indoor	EEV Kit 2 Indoor	EEV Kit 3 Indoor
MWR-SH11N	MWR-WG00*N	MIM-H04EN	MRW-TA	MEV-***SA	MXD-E24/32K***A	MXD-E24/32K***A

# Dimensional drawings

## Console

AM022/045KNJDEH/EU, AM028/036FNJDEH/EU



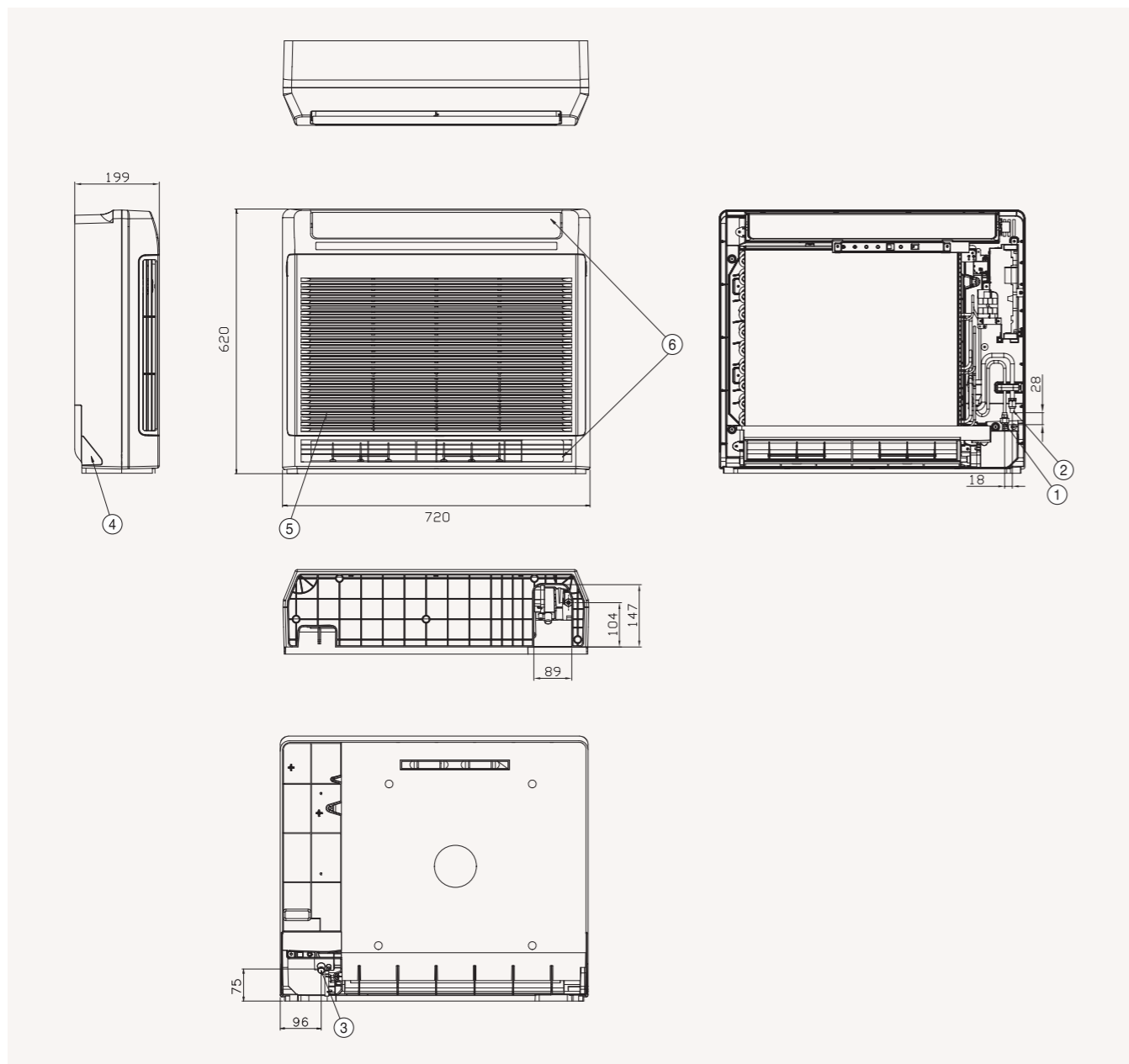
NO	Name	Description
1	Liquid pipe connection	ø6.35 Flare
2	Gas pipe connection	ø12.70 Flare
3	Drain pipe connection	ID 18 Hose
4	Power supply/communication wiring conduits	
5	Air inlet grille	
6	Air outlet louvre	

<sup>1</sup> Sound pressure level is obtained in an anechoic room. Sound pressure level is a relative value, depending on the distance and acoustic environment. Sound pressure level may differ depending on operation conditions.

# Dimensional drawings

## Console

AM056FNJDEH/EU



NO	Name	Description
1	Liquid pipe connection	ø6.35 Flare
2	Gas pipe connection	ø12.70 Flare
3	Drain pipe connection	ID 18 Hose
4	Power supply/communication wiring conduits	
5	Air inlet grille	
6	Air outlet louvre	



# Specifications

## Floor/Ceiling

- Optional vertical or horizontal installation.
- Air supply by means of one adjustable blade.
- Reduced noise thanks to the remotely controlled EEV.
- Sirocco Fan direct driven by a single motor.

- Long-life washable HD 40 permanent filter is included.
- Compatible with Wi-Fi Kit controller.



Model		AM056FNCDEH/EU		AM071FNCDEH/EU	
Power Supply		Φ, #, V, Hz	1Φ, 2, 220-240 V, 50 Hz	1Φ, 2, 220-240 V, 50 Hz	
Performance	Capacity (Nominal)	Cooling	kW	5.6	7.1
		Heating	kW	6.3	8.0
Power	Power Input (Nominal)	Cooling	W	72	80
		Heating	W	72	77
	Current Input (Nominal)	Cooling	A	0.33	0.35
		Heating	A	0.28	0.29
Fan	Motor	Type	-	Sirocco Fan	Sirocco Fan
		Output	W	60	120
	Airflow Rate	Number of Fans	ea	1	1
		H/M/L (UL)	m³/min	14.00/13.00/12.00	18.00/16.50/15.00
Piping Connections	Liquid Pipe	ø, mm	6.35	9.52	
		ø, inch	1/4	3/8	
	Gas Pipe	ø, mm	12.70	15.88	
		ø, inch	1/2	5/8	
	Drain Pipe	ø, mm	ID 18 HOSE	ID 18 HOSE	
	Field Wiring	Power Source Wire	Below 20 m / over 20 m	mm²	1.5/2.5
Transmission Cable			mm²	0.75-1.50	0.75-1.50
Refrigerant	Type	-	-	R410A (Fluorinated greenhouse gas, GWP=2,088)	
	Control Method	-	-	EEV NOT INCLUDED	
Sound	Sound Pressure¹	(H/M/L)	dB(A)	40/37/34	44/42/40
Dimensions	Net Weight		kg	21.0	21.0
	Net Dimensions (W × H × D)		mm	1,000 × 650 × 200	1,000 × 650 × 200
Air Filter				Long-life Filter	Long-life Filter

### Accessories



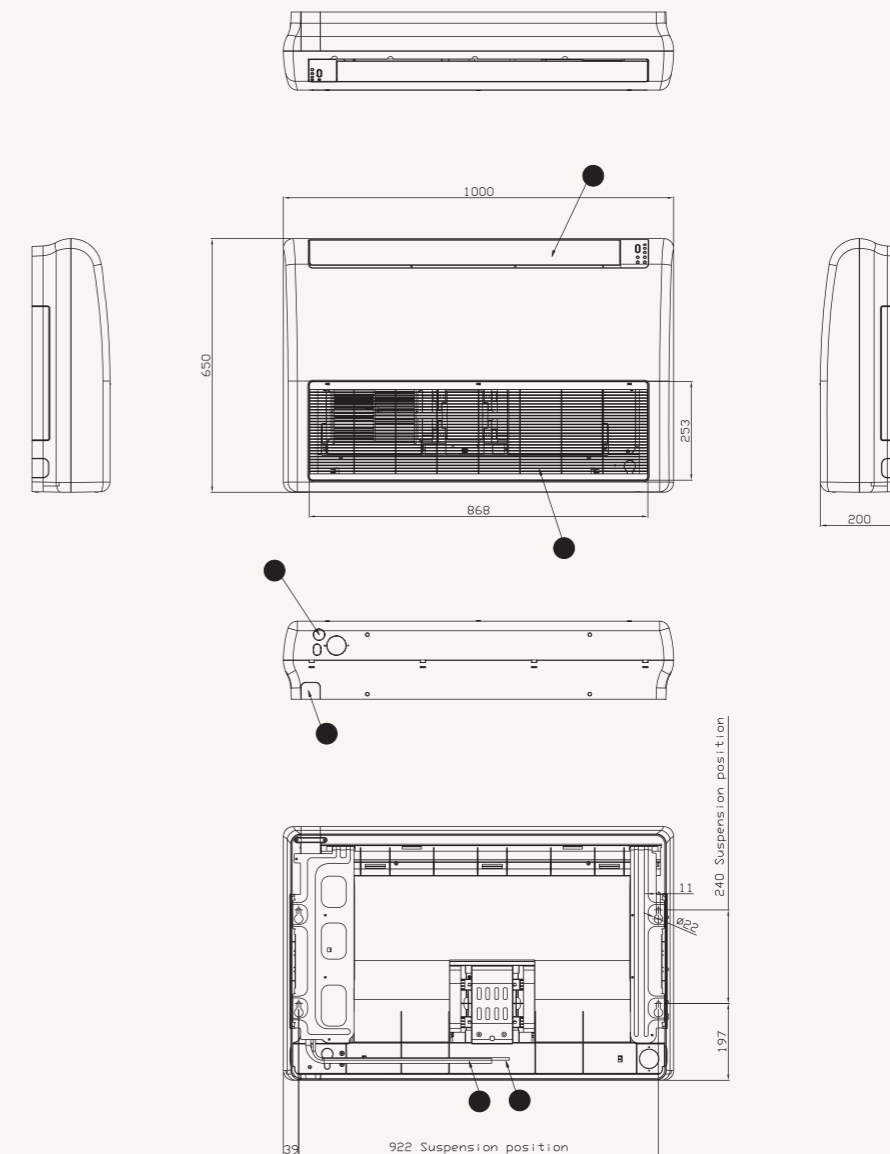
Touch Controller	Wired Remote Controller	Wi-Fi Kit	External Room Sensor	EEV Kit 1 Indoor	EEV Kit 2 Indoor	EEV Kit 3 Indoor
MWR-SH11N	MWR-WG00*N	MIM-H04EN	MRW-TA	MEV-***SA	MXD-E24/32K***A	MXD-E24/32K***A

¹ Sound pressure level is obtained in an anechoic room. Sound pressure level is a relative value, depending on the distance and acoustic environment. Sound pressure level may differ depending on operation conditions.

# Dimensional drawings

## Floor/Ceiling

AM\*\*\*FNCDEH/EU



NO	Name	Description	
		5.6 kW	7.1 kW
1	Liquid pipe connection	ø6.35 Flare	ø9.52 Flare
2	Gas pipe connection	ø12.70 Flare	ø15.88 Flare
3	Drain pipe connection	ID 18 Hose	
4	Power supply/communication wiring conduits		
5	Air inlet grille		
6	Air outlet louvre		

# Specifications

## Big Ceiling

- Horizontal installation only.
- Air supply by means of one adjustable blade.
- Sirocco Fan direct driven by a single motor.
- Long-life washable HD 40 permanent filter is included.

- Compatible with Wi-Fi Kit controller.



Model		AM112JNCDKH/EU	AM140JNCDKH/EU
Power Supply	Φ, #, V, Hz	1Φ, 2, 220-240 V, 50 Hz	1Φ, 2, 220-240 V, 50 Hz
Performance	Capacity (Nominal)	Cooling kW	11.2
		Heating kW	12.5
Power	Power Input (Nominal)	Cooling W	92.0
		Heating W	80.0
	Current Input (Nominal)	Cooling A	0.94
		Heating A	0.83
Fan	Motor	Type	Sirocco Fan
		Output W	260 x 1
	Airflow Rate	H/M/L (UL) m <sup>3</sup> /min	29.30/23.90/18.50
Piping Connections	Liquid Pipe	ø, mm	9.52
		ø, inch	3/8
	Gas Pipe	ø, mm	15.88
		ø, inch	5/8
	Drain Pipe	ø, mm	VP25 (OD 25, ID 20)
	Field Wiring	Power Source Wire	Below 20 m/over 20 m
			1.5/2.5
Refrigerant	Transmission Cable	mm <sup>2</sup>	0.75-1.50
		Type	R410A(Fluorinated greenhouse gas, GWP=2,088)
Sound	Sound Pressure <sup>1</sup>	(H/M/L)	dB(A)
			45/41/37
		Cooling	dB(A)
Dimensions	Net Weight	kg	33.5
		Net Dimensions (W × H × D)	mm

### Accessories



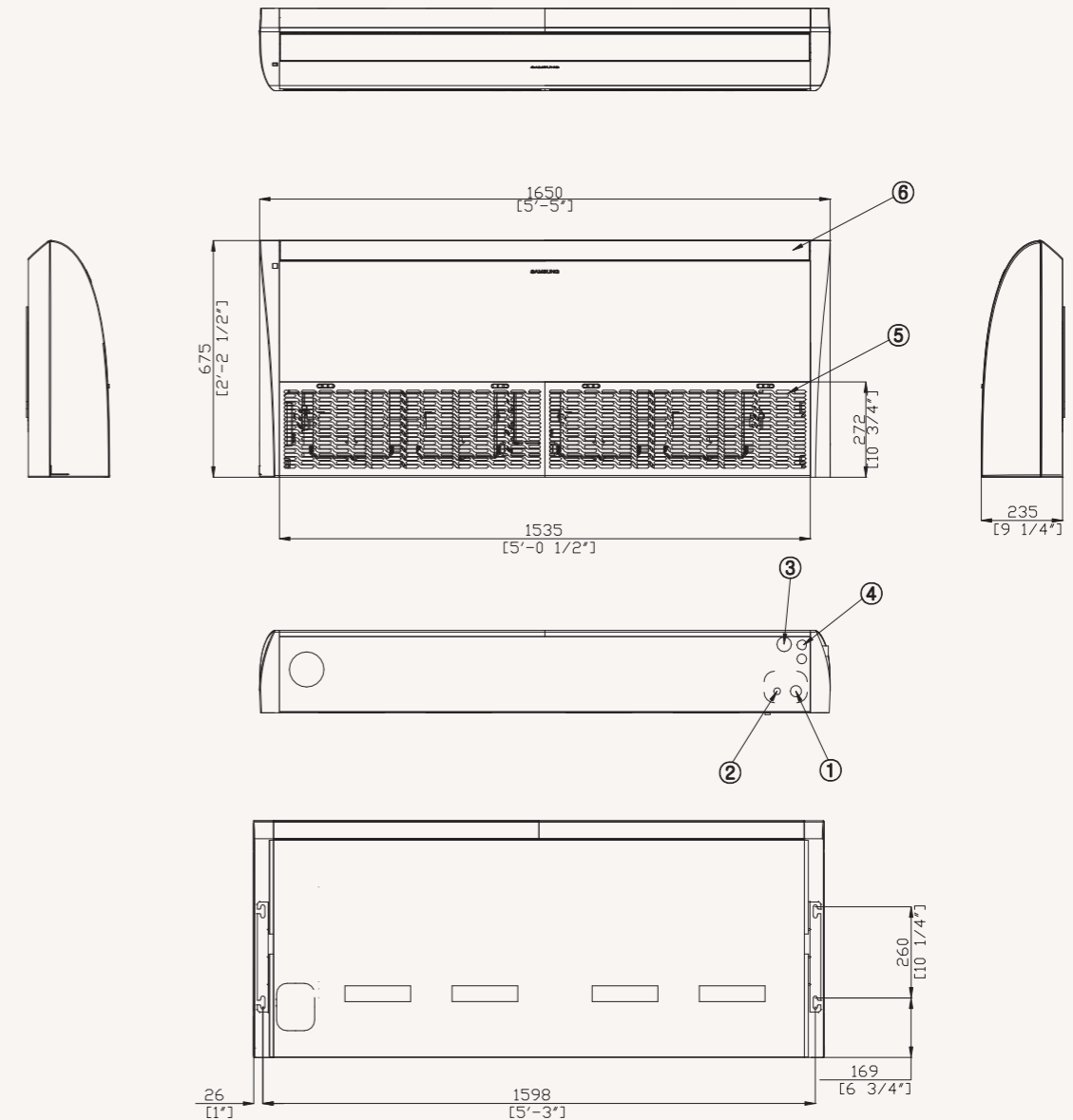
Touch Controller	Wired Remote Controller	Wi-Fi Kit	External Room Sensor	SPI Kit
MWR-SH11N	MWR-WG00*N	MIM-H04EN	MRW-TA	MSD-CAN1

<sup>1</sup> Sound pressure level is obtained in an anechoic room. Sound pressure level is a relative value, depending on the distance and acoustic environment. Sound pressure level may differ depending on operation conditions.

# Dimensional drawings

## Big Ceiling

AM\*\*\*JNCDKH/EU



NO	Name
1	Refrigerant gas pipe
2	Refrigerant liquid pipe
3	Condensate drain
4	Power supply/communication wiring conduits
5	Air inlet grille
6	Air outlet grille

# Specifications

## Concealed Floor-Standing

- Silent operation.
- Sirocco fan driven by inverter motor.
- Compatible with Wi-Fi Kit controller.
- Long-life washable permanent filter.
- Auto Restart function.



Model		AM036FNFDEH/EU	AM056FNFDEH/EU	AM071FNFDEH/EU		
Power Supply	Φ, #, V, Hz	1Φ, 2, 220-240 V, 50 Hz	1Φ, 2, 220-240 V, 50 Hz	1Φ, 2, 220-240 V, 50 Hz		
Performance	Capacity (Nominal)	Cooling	kW	3.6	5.6	7.1
		Heating	kW	4.0	6.3	8.0
Power	Power Input (Nominal)	Cooling	W	50	110	110
		Heating	W	50	110	110
	Current Input (Nominal)	Cooling	A	0.24	0.53	0.53
		Heating	A	0.24	0.53	0.53
Fan	Motor	-	Sirocco Fan	Sirocco Fan	Sirocco Fan	
	Airflow Rate	H/M/L (UL)	m <sup>3</sup> /min	10.00/8.50/6.00	15.50/14.00/11.00	15.50/14.00/11.00
l/s			166.67/141.67/100.00	258.33/233.33/183.33	258.33/233.33/183.33	
Piping Connections	Liquid Pipe	ø, mm	6.35	9.52	9.52	
		ø, inch	1/4	3/8	3/8	
	Gas Pipe	ø, mm	12.70	15.88	15.88	
		ø, inch	1/2	5/8	5/8	
Drain Pipe	ø, mm	ID 18 HOSE	ID 18 HOSE	ID 18 HOSE		
Field Wiring	Power Source Wire	Below 20 m/ over 20 m	mm <sup>2</sup>	1.5/2.5	1.5/2.5	1.5/2.5
	Transmission Cable		mm <sup>2</sup>	0.75-1.50	0.75-1.50	0.75-1.50
Refrigerant	Type	-	R410A (Fluorinated greenhouse gas, GWP=2,088)			
	Control Method	-	EEV INCLUDED	EEV INCLUDED	EEV INCLUDED	
Sound	Sound Pressure <sup>1</sup>	(H/M/L)	dB(A)	37/32/27	40/36/32	40/36/32
Dimensions	Net Weight		kg	23.0	28.5	28.5
	Net Dimensions (W × H × D)		mm	945 × 600 × 220	1,225 × 600 × 220	1,225 × 600 × 220
Air Filter				Long-life Filter	Long-life Filter	Long-life Filter

### Accessories



Touch Controller

Wired Remote Controller

Wi-Fi Kit

External Room Sensor

MWR-SH11N

MWR-WG00\*N

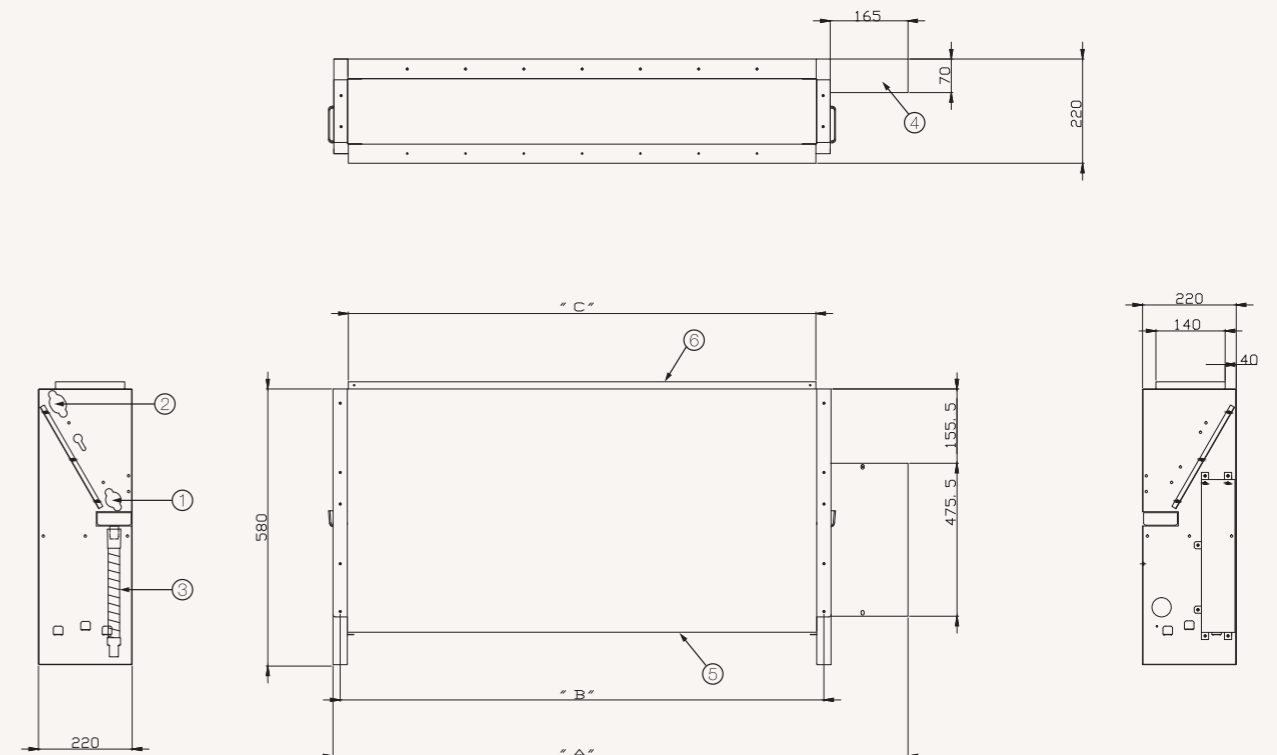
MIM-H04EN

MRW-TA

# Dimensional drawings

## Concealed Floor-Standing

AM036/056/071FNFDEH/\*\*



Model	A	B	C
AM036FNFDEH/EU	945	730	700
AM056/071FNFDEH/EU	1,225	1,010	980

NO	Name	Description		
		3.6 kW	5.6 kW	7.1 kW
1	Liquid pipe connection	ø6.35 Flare	ø6.35 Flare	ø9.52 Flare
2	Gas pipe connection	ø12.70 Flare	ø12.70 Flare	ø15.88 Flare
3	Drain pipe connection		ID 18 Hose	
4	Power supply/communication wiring conduits			
5	Air inlet grille			
6	Air outlet louvre			

<sup>1</sup> Sound pressure level is obtained in an anechoic room. Sound pressure level is a relative value, depending on the distance and acoustic environment. Sound pressure level may differ depending on operation conditions.

# Specifications

## Concealed Floor-Standing High Static Pressure

- Silent operation.
- Sirocco fan driven by inverter motor.
- Compatible with Wi-Fi Kit controller.
- Long-life washable permanent filter.
- Auto Restart function.



Model		AM036MNFDEH/EU	AM056MNFDEH/EU	AM071MNFDEH/EU	
Power Supply	Φ, #, V, Hz	1Φ, 2, 220-240 V, 50 Hz	1Φ, 2, 220-240 V, 50 Hz	1Φ, 2, 220-240 V, 50 Hz	
Performance	Capacity (Nominal)	Cooling kW	3.6	5.6	7.1
		Heating kW	4.0	6.3	8.0
Power	Power Input (Nominal)	Cooling kW	0.022	0.042	0.042
		Heating kW	0.022	0.042	0.042
	Current Input (Nominal)	Cooling A	0.20	0.37	0.37
		Heating A	0.20	0.37	0.37
Fan	Motor	Type	Sirocco Fan	Sirocco Fan	Sirocco Fan
		Output x n	100 x 1	100 x 1	100 x 1
	External Static Pressure	Min/Std/Max mmAq	0.00/3.00/6.00	0.00/3.00/6.00	0.00/3.00/6.00
		Min/Std/Max Pa	0.00/29.40/58.90	0.00/29.40/58.90	0.00/29.40/58.90
Airflow Rate (H/M/L)	m <sup>3</sup> /h	600/510/360	930/840/660	930/840/660	
Piping Connections	Liquid Pipe	ø, mm	6.35	6.35	9.52
		ø, inch	1/4	1/4	3/8
	Gas Pipe	ø, mm	12.70	12.70	15.88
		ø, inch	1/2	1/2	5/8
Drain Pipe	ø, mm	ID 18 HOSE	ID 18 HOSE	ID 18 HOSE	
Field Wiring	Power Source Wire	mm <sup>2</sup>	1.5-2.5	1.5-2.5	1.5-2.5
	Transmission Cable	mm <sup>2</sup>	0.75-1.50	0.75-1.50	0.75-1.50
Refrigerant	Type	-	R410A (Fluorinated greenhouse gas, GWP=2,088)		
	Control Method	-	EEV INCLUDED	EEV INCLUDED	EEV INCLUDED
Sound	Sound Pressure <sup>1</sup> (H/M/L)	dB(A)	37/32/27	40/36/32	40/36/32
		Sound Power dB(A)	53.0	59.0	59.0
Dimensions	Net Weight	kg	22.0	27.0	27.0
	Net Dimensions (W x H x D)	mm	945 x 600 x 220	1,225 x 600 x 220	1,225 x 600 x 220
Air Filter	-	Long-life Filter	Long-life Filter	Long-life Filter	

### Accessories



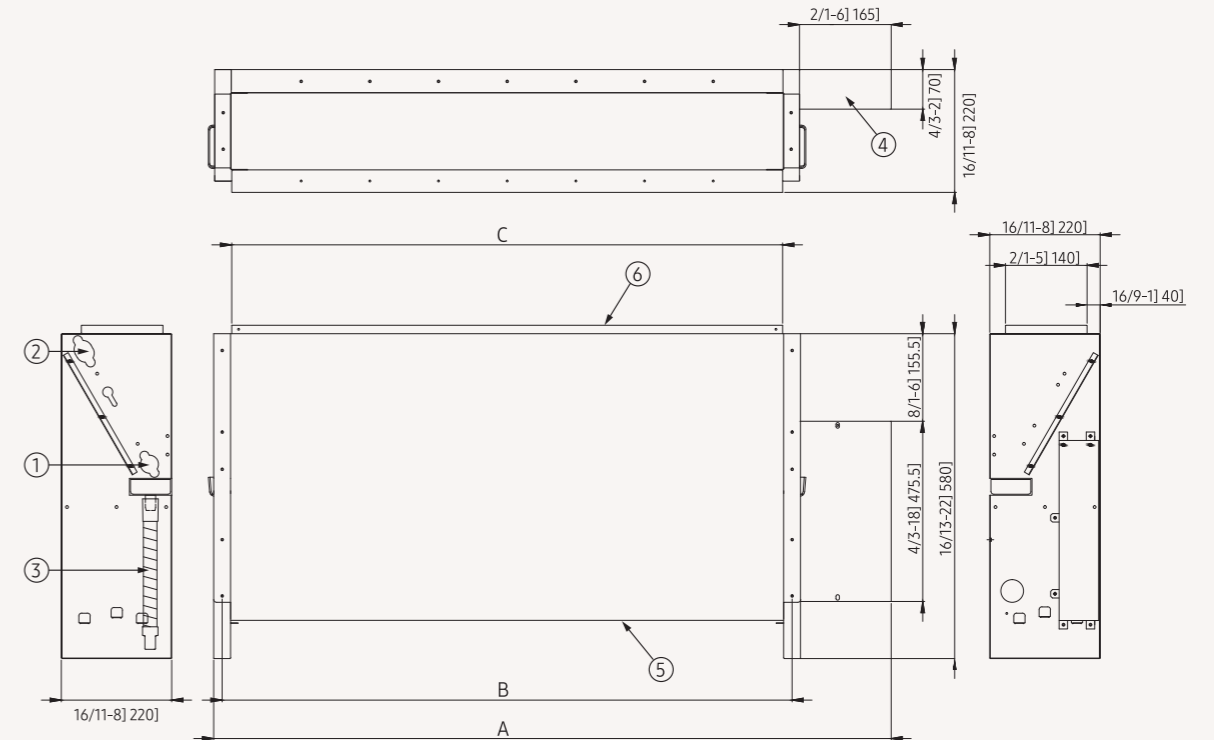
Touch Controller	Wired Remote Controller	Wi-Fi Kit	External Room Sensor
MWR-SH11N	MWR-WG00*N	MIM-H04EN	MRW-TA

<sup>1</sup> Sound pressure level is obtained in an anechoic room. Sound pressure level is a relative value, depending on the distance and acoustic environment. Sound pressure level may differ depending on operation conditions.

# Dimensional drawings

## Concealed Floor-Standing High Static Pressure

AM036/056/071MNFDEH/\*\*



Model	A	B	C
AM036MNFDEH/EU	945	730	700
AM056/071MNFDEH/EU	1,225	1,010	980

NO	Name	3.6 kW	5.6 kW	7.1 kW
1	Liquid pipe connection	ø6.35 Flare	ø6.35 Flare	ø9.52 Flare
2	Gas pipe connection	ø12.70 Flare	ø12.70 Flare	ø15.88 Flare
3	Drain pipe connection	ID 18 Hose		
4	Power supply/communication wiring conduits			
5	Air inlet grille			
6	Air outlet louvre			

# Specifications

## Packaged Floor-Standing

- Sirocco fan driven by inverter motor.
- Compatible with Wi-Fi Kit controller.



Model				AM140RNPDKH/EU	AM280RNPDKH/EU
Power Supply		Φ, #, V, Hz		1Φ, 2, 220-240 V, 50/60 Hz	1Φ, 2, 220-240 V, 50 Hz
Performance	Capacity (Nominal)	Cooling	kW	14	28
		Heating	kW	16	31.5
Power	Power Input (Nominal)	Cooling	W	190	955
		Heating	W	190	955
	Current Input (Nominal)	Cooling	A	0.90	4.73
		Heating	A	0.90	4.73
Fan	Motor	Type	-	Sirocco Fan	Sirocco Fan
		Output x n	W	154 x 1	700 x 1
	Airflow Rate	H/M/L (UL)	m <sup>3</sup> /min	35.00/30.50/27.50	70.00/60.00/50.00
		l/s	583.33/508.33/458.33	1,166.67/1,000.00/833.33	
Piping Connections	Liquid Pipe	ø, mm		9.52	9.52
		ø, inch		3/8	3/8
	Gas Pipe	ø, mm		15.88	22.22
		ø, inch		5/8	7/8
Drain Pipe	ø, mm		ID 18 HOSE	VP25 (OD 32, ID 25)	
Field Wiring	Power Source Wire	mm <sup>2</sup>		2.5	2.5
	Transmission Cable	mm <sup>2</sup>		VCTF 0.75-1.50	VCTF 0.75-1.50
Refrigerant	Type	-		R410A (Fluorinated greenhouse gas, GWP=2,088)	
	Control Method	-		EEV INCLUDED	EEV INCLUDED
Sound	Sound Pressure <sup>1</sup>	(H/L)	dB(A)	54/47	58/54
	Sound Power	Cooling	dB(A)	-	-
Dimension	Net Weight		kg	48.0	115.0
	Net Dimensions (W x H x D)		mm	650 x 1,850 x 400	1,100 x 1,800 x 485

### Accessories



Wi-Fi Kit  
MIM-H04EN

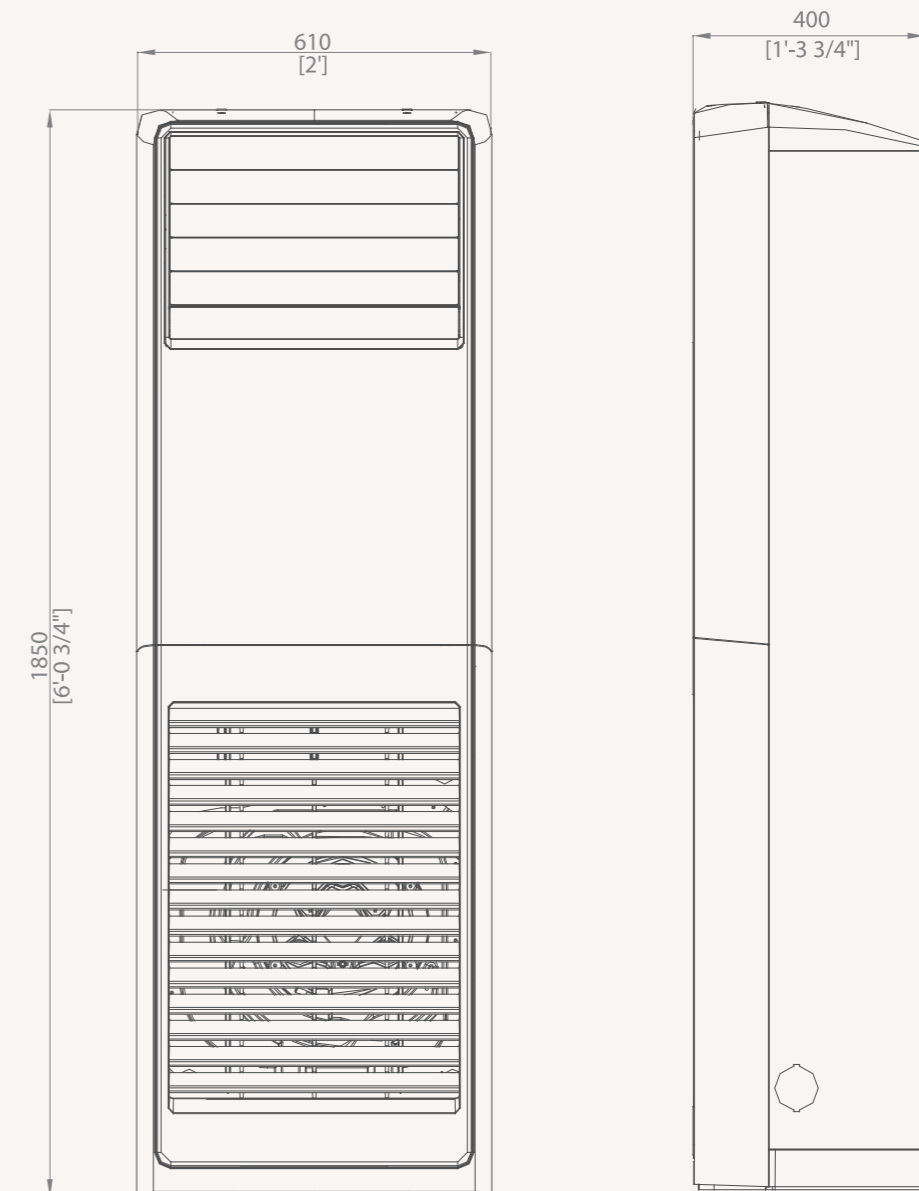
External Room Sensor  
MRW-TA

<sup>1</sup> Sound pressure level is obtained in an anechoic room. Sound pressure level is a relative value, depending on the distance and acoustic environment. Sound pressure level may differ depending on operation conditions.

# Dimensional drawings

## Packaged Floor-Standing

AM140RNPDKH/EU



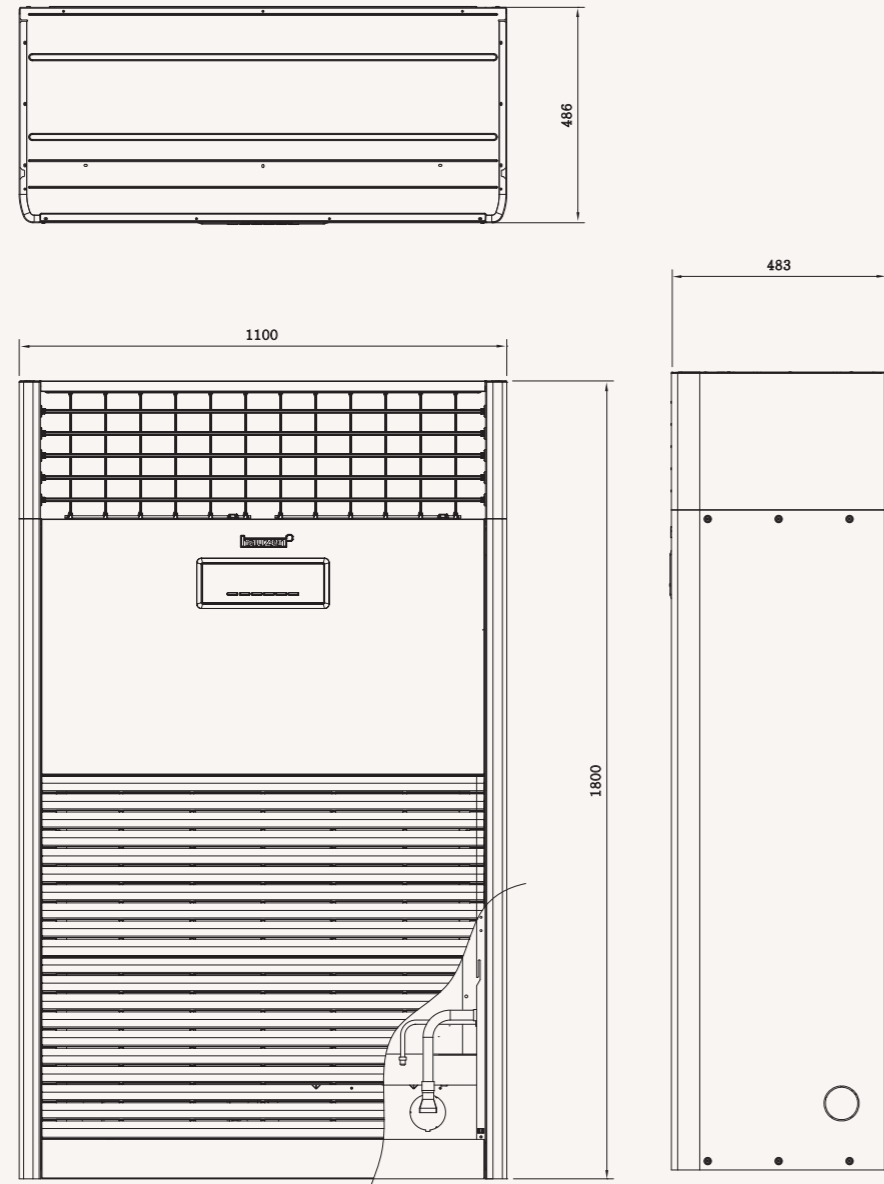
NO	Name	Description
1	Gas piping refrigerant	ø15.88 (5/8)
2	Liquid piping refrigerant	ø9.52 (3/8)
3	Condensation drain piping	-



# Dimensional drawings

## Packaged Floor-Standing

AM280RNPDKH/EU



NO	Name	Description
1	Refrigerant gas pipe	ø22.22 (7/8) Flare
2	Refrigerant liquid pipe	ø9.52 (3/8) Flare
3	Drain pipe connection	VP25 (OD 32, ID 25)



# Specifications

## Boracay Wall-Mounted (EEV excluded)

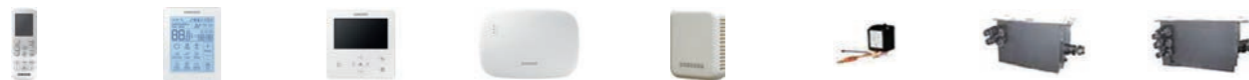
- Motorised louvre provides an automatic change in airflow by directing the air up and down.
- Manual adjustable guide vane allows users to change the airflow from side to side (left to right).
- Turbo function provides fast and powerful cooling.
- Cross-flow fan direct driven by a single motor.
- Washable Full HD 80 filter.
- Four-direction drain and refrigerant piping connection as standard.



Model			AM015KNTDEH/EU	AM022KNTDEH/EU	AM028KNTDEH/EU	
Power Supply		Φ, #, V, Hz	1Φ, 2, 220-240 V, 50 Hz	1Φ, 2, 220-240 V, 50 Hz	1Φ, 2, 220-240 V, 50 Hz	
Performance		Cooling	kW	1.5	2.2	2.8
		Heating	kW	1.7	2.5	3.2
Power	Power Input (Nominal)	Cooling	W	32.0	32.0	38.0
		Heating	W	34.0	35.0	39.0
	Current Input (Nominal)	Cooling	A	0.20	0.20	0.22
		Heating	A	0.20	0.20	0.22
	MCA	A	0.3	0.3	0.4	
	MFA	A	15.0	15.0	15.0	
Fan	Type		Crossflow Fan	Crossflow Fan	Crossflow Fan	
	Number of Fans	ea	1	1	1	
	Airflow Rate	H/M/L (UL)	m <sup>3</sup> /min	6.2/5.7/5.1	6.6/5.7/5.1	7.0/6.2/5.5
		l/s	103.3/95.0/85.0	110.0/95.0/85.0	116.7/103.3/91.7	
Fan motor	Type		SSR Feedback	SSR Feedback	SSR Feedback	
	Output x n	W	19 x 1	19 x 1	19 x 1	
Piping Connections	Liquid Pipe	ø, mm	6.35	6.35	6.35	
		ø, inch	1/4	1/4	1/4	
	Gas Pipe	ø, mm	12.7	12.7	12.7	
		ø, inch	1/2	1/2	1/2	
Drain Pipe	ø, mm	ID 18 HOSE	ID 18 HOSE	ID 18 HOSE		
Field Wiring	Power Source Wire	Minimum	mm <sup>2</sup>	1.5	1.5	1.5
	For connection with indoor	Minimum	mm <sup>2</sup>	0.75	0.75	0.75
	Remark	-		F1, F2	F1, F2	F1, F2
Refrigerant	Type		R410A(Fluorinated greenhouse gas, GWP=2,088)			
	Control Method		EEV NOT INCLUDED			
Sound	Sound Pressure <sup>1</sup>	H/M/L	dB(A)	30/28/25	31/28/25	31/29/26
	Sound Power	Cooling	dB(A)	47	48	48
Dimensions	Net Weight		kg	8.0	8.0	8.5
	Net Dimensions (W × H × D)		mm	820 x 285 x 227	820 x 285 x 227	820 x 285 x 227

	AM036KNTDEH/EU	AM045KNTDEH/EU	AM056KNTDEH/EU	AM071KNTDEH/EU
	1Φ, 2, 220-240 V, 50 Hz	1Φ, 2, 220-240 V, 50 Hz	1Φ, 2, 220-240 V, 50 Hz	1Φ, 2, 220-240 V, 50 Hz
	3.6	4.5	5.6	6.8
	4.0	5.0	6.3	7.0
	42.0	47.0	48.0	51.0
	42.0	47.0	48.0	53.0
	0.23	0.27	0.27	0.28
	0.23	0.27	0.27	0.28
	0.4	0.4	0.4	0.4
	15.0	15.0	15.0	15.0
	Crossflow Fan	Crossflow Fan	Crossflow Fan	Crossflow Fan
	1	1	1	1
	8.5/7.5/6.6	13.9/12.4/11.2	14.4/12.9/11.2	15.7/14.1/12.9
	141.7/125.0/110.0	231.7/206.7/186.7	240.0/215.0/186.7	261.7/235.0/215.0
	SSR Feedback	SSR Feedback	SSR Feedback	SSR Feedback
	19 x 1	28 x 1	28 x 1	28 x 1
	6.35	6.35	6.35	9.52
	1/4	1/4	1/4	3/8
	12.7	6.35	6.35	9.52
	1/2	1/2	1/2	5/8
	ID 18 HOSE	ID 18 HOSE	ID 18 HOSE	ID 18 HOSE
	1.5	1.5	1.5	1.5
	0.75	0.75	0.75	0.75
	F1, F2	F1, F2	F1, F2	F1, F2
	R410A(Fluorinated greenhouse gas, GWP=2,088)			
	EEV NOT INCLUDED			
	36/33/29	38/35/33	39/36/33	40/38/35
	51	53	53	55
	8.5	12.0	12.0	12.0
	820 x 285 x 227	1,065 x 298 x 243	1,065 x 298 x 243	1,065 x 298 x 243

### Accessories



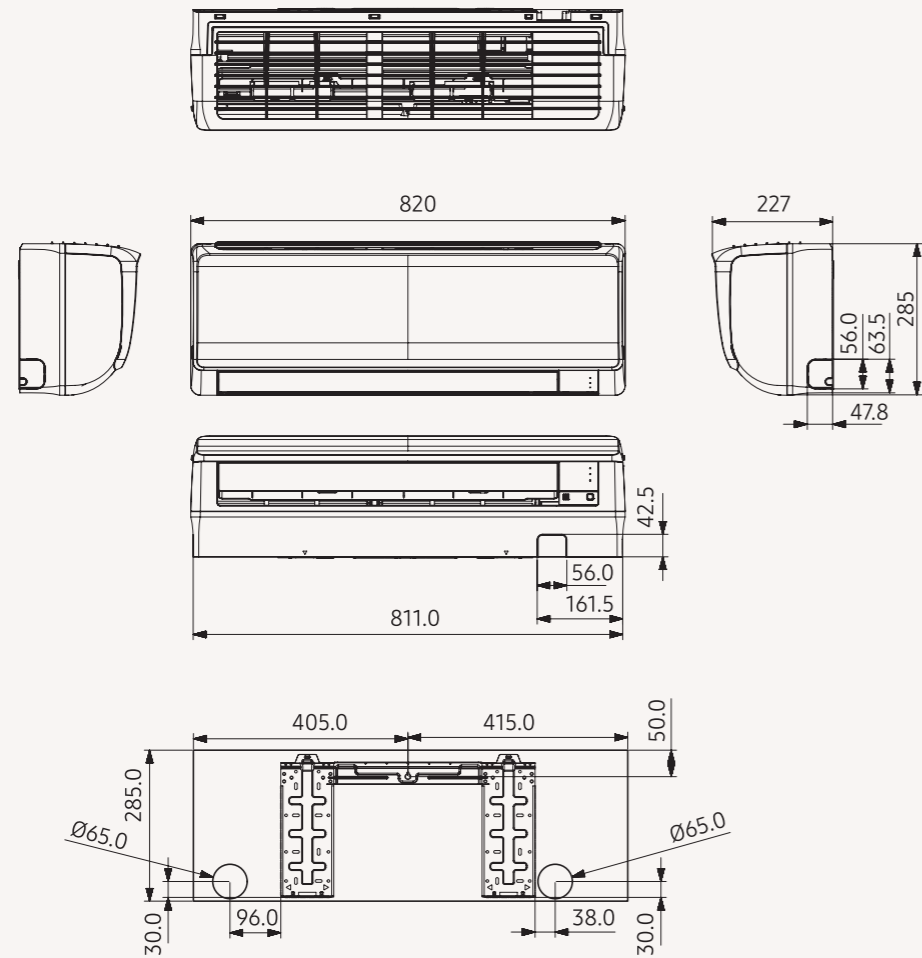
Wireless Remote Controller	Touch Controller	Wired Remote Controller	Wi-Fi Kit	External Room Sensor	EEV Kit 1 Indoor	EEV Kit 2 Indoor	EEV Kit 3 Indoor
AR-EH03E	MWR-SH11N	MWR-WG00*N	MIM-H04EN	MRW-TA	MEV-***SA	MXD-E24/32K***A	MXD-E24/32K***A

<sup>1</sup> Sound pressure level is obtained in an anechoic room. Sound pressure level is a relative value, depending on the distance and acoustic environment. Sound pressure level may differ depending on operation conditions.

# Dimensional drawings

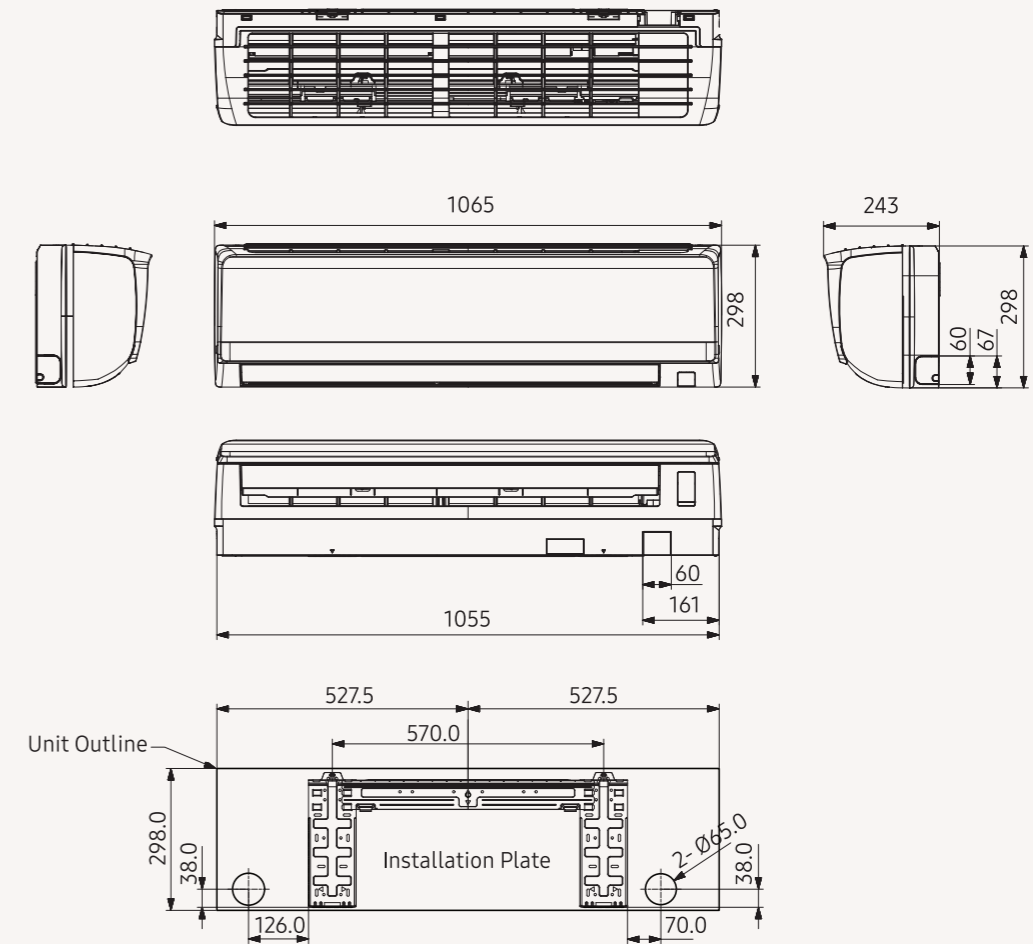
## Boracay Wall-Mounted (EEV excluded)

AM015/022/028/036KNTD\*\*\*\*\*



NO	Name	Description
1	Liquid pipe connection	$\varnothing 6.35$ (1/4)
2	Gas pipe connection	$\varnothing 12.70$ (1/2)
3	Drain pipe connection	ID 18 HOSE
4	Power supply/communication wiring conduits	-

AM045/056/071KNTD\*\*\*\*\*



NO	Name	Description
1	Liquid pipe connection	$\varnothing 6.35$ (1/4)
2	Gas pipe connection	$\varnothing 12.70$ (1/2)
3	Drain pipe connection	ID 18 HOSE
4	Power supply/communication wiring conduits	-

# Specifications

## Boracay Wall-Mounted (EEV included)

- Motorised louvre provides an automatic change in airflow by directing the air up and down.
- Manual adjustable guide vane allows users to change the airflow from side to side (left to right).
- Turbo function provides fast and powerful cooling.
- Cross-flow fan direct driven by a single motor.
- Washable Full HD 80 filter.
- Four-direction drain and refrigerant piping connection as standard.



Model			AM015KNQDEH/EU	AM022KNQDEH/EU	AM028KNQDEH/EU	
Power Supply	Φ, #, V, Hz		1Φ, 2, 220-240 V, 50 Hz	1Φ, 2, 220-240 V, 50 Hz	1Φ, 2, 220-240 V, 50 Hz	
Performance	Cooling	kW	1.5	2.2	2.8	
		Heating	1.7	2.5	3.2	
Power	Power Input (Nominal)	Cooling	32.0	32.0	38.0	
		Heating	34.0	35.0	39.0	
	Current Input (Nominal)	Cooling	0.20	0.20	0.22	
		Heating	0.20	0.20	0.22	
	MCA	A	0.3	0.3	0.4	
	MFA	A	15.0	15.0	15.0	
Fan	Type	-	Crossflow Fan	Crossflow Fan	Crossflow Fan	
	Number of Fans	ea	1	1	1	
	Airflow Rate	H/M/L (UL)	m <sup>3</sup> /min	6.2/5.7/5.1	6.6/5.7/5.1	7.0/6.2/5.5
Fan motor	Type	-	SSR Feedback	SSR Feedback	SSR Feedback	
	Output x n	W	19 x 1	19 x 1	19 x 1	
Piping Connections	Liquid Pipe	ø, mm	6.35	6.35	6.35	
		ø, inch	1/4	1/4	1/4	
	Gas Pipe	ø, mm	12.7	12.7	12.7	
		ø, inch	1/2	1/2	1/2	
	Drain Pipe	ø, mm	ID 18 HOSE	ID 18 HOSE	ID 18 HOSE	
Heat Insulation	-	Both liquid and gas pipes	Both liquid and gas pipes	Both liquid and gas pipes		
Field Wiring	Power Source Wire	Minimum	mm <sup>2</sup>	1.5	1.5	
	For connection with indoor	Minimum	mm <sup>2</sup>	0.75	0.75	
	Remark	-	F1, F2	F1, F2	F1, F2	
Refrigerant	Type	-	R410A(Fluorinated greenhouse gas, GWP=2,088)			
	Control Method	-	EEV INCLUDED	EEV INCLUDED	EEV INCLUDED	
Sound	Sound Pressure <sup>1</sup>	H/M/L	dB(A)	30/28/25	31/28/25	31/29/26
	Sound Power	Cooling	dB(A)	47	48	48
Dimensions	Net Weight	kg	8.5	8.5	9.0	
	Net Dimensions (W x H x D)	mm	820 x 285 x 227	820 x 285 x 227	820 x 285 x 227	

	AM036KNQDEH/EU	AM045KNQDEH/EU	AM056KNQDEH/EU	AM071KNQDEH/EU
	1Φ, 2, 220-240 V, 50 Hz	1Φ, 2, 220-240 V, 50 Hz	1Φ, 2, 220-240 V, 50 Hz	1Φ, 2, 220-240 V, 50 Hz
	3.6	4.5	5.6	6.8
	4.0	5.0	6.3	7.0
	42.0	47.0	48.0	51.0
	42.0	47.0	48.0	53.0
	0.23	0.27	0.27	0.28
	0.23	0.27	0.27	0.28
	0.4	0.4	0.4	0.4
	15.0	15.0	15.0	15.0
	Crossflow Fan	Crossflow Fan	Crossflow Fan	Crossflow Fan
	1	1	1	1
	8.5/7.5/6.6	13.9/12.4/11.2	14.4/12.9/11.2	15.7/14.1/12.9
	141.7/125.0/110.0	231.7/206.7/186.7	240.0/215.0/186.7	261.7/235.0/215.0
	SSR Feedback	SSR Feedback	SSR Feedback	SSR Feedback
	19 x 1	28 x 1	28 x 1	28 x 1
	6.35	6.35	6.35	9.52
	1/4	1/4	1/4	3/8
	12.7	12.7	12.7	15.88
	1/2	1/2	1/2	5/8
	ID 18 HOSE	ID 18 HOSE	ID 18 HOSE	ID 18 HOSE
	Both liquid and gas pipes	Both liquid and gas pipes	Both liquid and gas pipes	Both liquid and gas pipes
	1.5	1.5	1.5	1.5
	0.75	0.75	0.75	0.75
	F1, F2	F1, F2	F1, F2	F1, F2
	R410A(Fluorinated greenhouse gas, GWP=2,088)			
	EEV INCLUDED	EEV INCLUDED	EEV INCLUDED	EEV INCLUDED
	36/33/29	38/35/33	39/36/33	40/38/35
	51	53	53	55
	9.0	12.5	12.5	12.5
	820 x 285 x 227	1,065 x 298 x 243	1,065 x 298 x 243	1,065 x 298 x 243

### Accessories



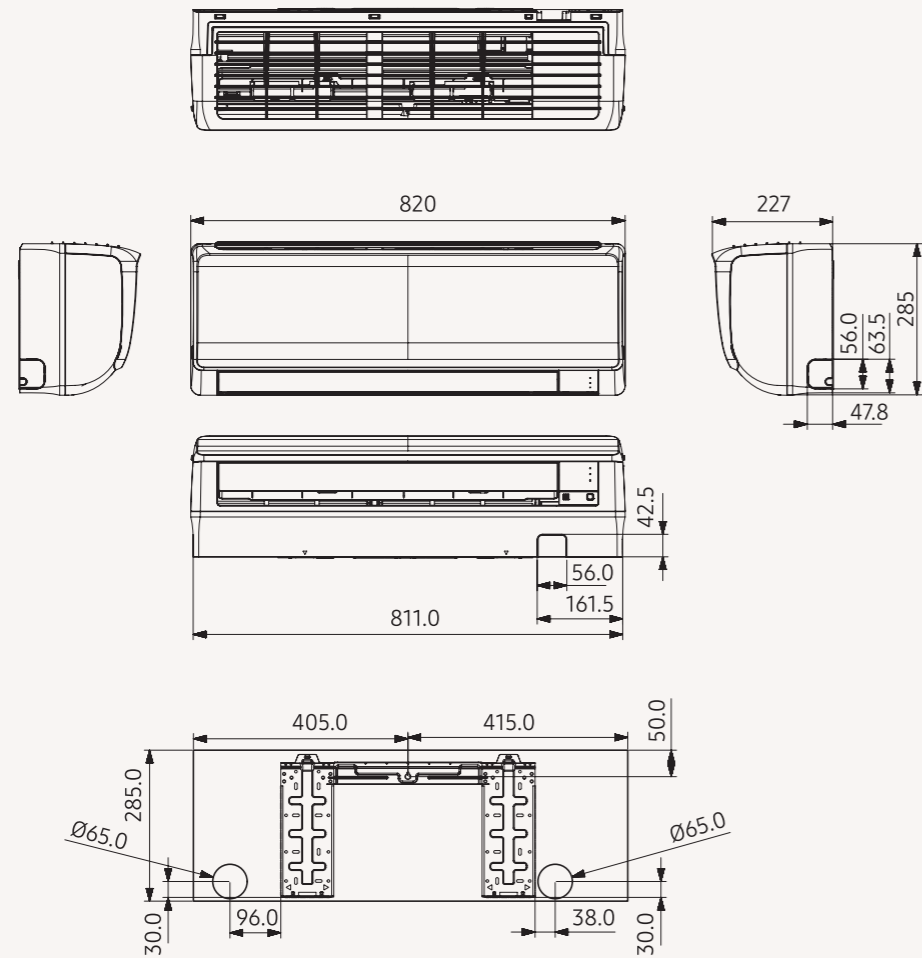
Wireless Remote Controller	Touch Controller	Wired Remote Controller	Wi-Fi Kit	External Room Sensor
AR-EH03E	MWR-SH11N	MWR-WG00*N	MIM-H04EN	MRW-TA

<sup>1</sup> Sound pressure level is obtained in an anechoic room. Sound pressure level is a relative value, depending on the distance and acoustic environment. Sound pressure level may differ depending on operation conditions.

# Dimensional drawings

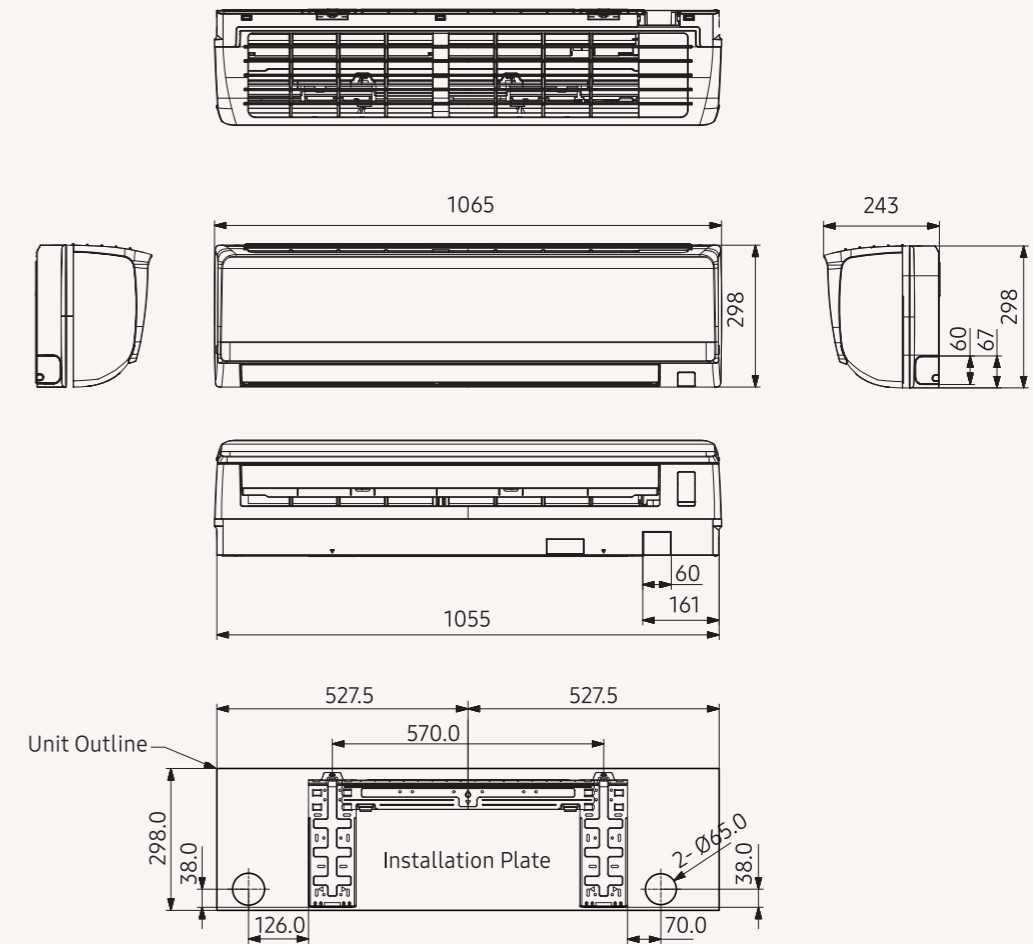
## Boracay Wall-Mounted (EEV included)

AM015/022/028/036KNQD\*\*\*\*



NO	Name	Description
1	Liquid pipe connection	ø6.35 (1/4)
2	Gas pipe connection	ø12.70 (1/2)
3	Drain pipe connection	ID 18 HOSE
4	Power supply/communication wiring conduits	-

AM045/056/071KNQD\*\*\*\*



NO	Name	Description
1	Liquid pipe connection	ø6.35 (1/4)
2	Gas pipe connection	ø12.70 (1/2)
3	Drain pipe connection	ID 18 HOSE
4	Power supply/communication wiring conduits	-

# Specifications

## WindFree™ Deluxe (EEV included)

- Three-step cooling: Fast Cooling mode
- WindFree™ Cooling Mode
- Wi-Fi Control with SmartThings and Bixby voice controls

- Equipped with NASA communication protocol
- Equipped with Easy Filter Plus



			AM015TNVDKH/EU	AM022TNVDKH/EU	AM028TNVDKH/EU	
<b>Power Supply</b>		<b>Φ, #, V, Hz</b>	1Φ, 2, 220~240 V, 50/60 Hz	1Φ, 2, 220~240 V, 50/60 Hz	1Φ, 2, 220~240 V, 50/60 Hz	
<b>Performance</b>	<b>Capacity (Nominal)</b>	<b>Cooling</b>	1.5	2.2	2.8	
		<b>Heating</b>	1.7	2.5	3.2	
<b>Power</b>	<b>Capacity (Nominal)</b>	<b>Cooling</b>	20	24	30	
		<b>Heating</b>	20	24	30	
	<b>Current Input (Nominal)</b>	<b>Cooling</b>	0.13	0.16	0.20	
		<b>Heating</b>	0.13	0.16	0.20	
<b>Fan</b>	<b>Motor</b>	<b>Type</b>	-	Crossflow Fan	Crossflow Fan	
		<b>Output</b>	W	27 x 1	27 x 1	
	<b>Airflow Rate</b>	<b>H/M/L (UL)</b>	<b>m<sup>3</sup>/min</b>	4.9/4.5/4.1	5.7/5.0/4.5	8.5/7.7/6.9
		<b>l/s</b>	81.7/75.0/68.3	95.0/83.3/75.0	141.7/128.3/115.0	
<b>Piping Connections</b>	<b>Liquid Pipe</b>	<b>ø, mm</b>	6.35	6.35	6.35	
		<b>ø, inch</b>	1/4	1/4	1/4	
	<b>Gas Pipe</b>	<b>ø, mm</b>	12.70	12.70	12.70	
		<b>ø, inch</b>	1/2	1/2	1/2	
	<b>Drain Pipe</b>	<b>ø, mm</b>	ID 18 HOSE	ID 18 HOSE	ID 18 HOSE	
<b>Field Wiring</b>	<b>Power Source Wire</b>	<b>mm<sup>2</sup></b>	1.5/2.5	1.5/2.5	1.5/2.5	
	<b>Transmission Cable</b>	<b>mm<sup>2</sup></b>	0.75~1.50	0.75~1.50	0.75~1.50	
<b>Refrigerant</b>	<b>Type</b>	-	R410A (Fluorinated greenhouse gas, GWP = 2,088)			
	<b>Control Method</b>	-	EEV INCLUDED	EEV INCLUDED	EEV INCLUDED	
<b>Sound</b>	<b>Sound Pressure<sup>1</sup></b>	<b>(H/M/L)</b>	<b>dB(A)</b>	31/30/27/26 (WindFree™)	34/32/30/27 (WindFree™)	34/33/32/26 (WindFree™)
	<b>Sound Power</b>	<b>Cooling</b>	<b>dB(A)</b>	50	51	52
<b>Dimensions</b>	<b>Net Weight</b>		<b>kg</b>	9.0	9.0	9.5
	<b>Net Dimensions (WxHxD)</b>		<b>mm</b>	820 x 299 x 215	820 x 299 x 215	820 x 299 x 215



			AM036TNVDKH/EU	AM045TNVDKH/EU	AM056TNVDKH/EU	AM071TNVDKH/EU	AM082TNVDKH/EU
		<b>1Φ, 2, 220~240 V, 50/60 Hz</b>	1Φ, 2, 220~240 V, 50/60 Hz	1Φ, 2, 220~240 V, 50/60 Hz	1Φ, 2, 220~240 V, 50/60 Hz	1Φ, 2, 220~240 V, 50/60 Hz	1Φ, 2, 220~240 V, 50/60 Hz
			3.6	4.5	5.6	6.8	8.2
			4.0	5.0	6.3	7.0	8.5
			37	40	52	60	65
			37	40	52	60	65
			0.25	0.27	0.35	0.40	0.43
			0.25	0.27	0.35	0.40	0.43
			Crossflow Fan	Crossflow Fan	Crossflow Fan	Crossflow Fan	Crossflow Fan
			27 x 1	27 x 1	27 x 1	27 x 1	27 x 1
			10.3/9.1/8.3	12.5/11.4/10.5	15.7/13.8/12.0	16.8/15.0/13.2	17.5/15.6/13.8
			171.7/151.7/138.3	208.3/190.0/175.0	261.7/230.0/200.0	280.0/250.0/220.0	291.7/260.0/230.0
			6.35	6.35	6.35	9.52	9.52
			1/4	1/4	1/4	3/8	3/8
			12.70	12.70	12.70	15.88	15.88
			1/2	1/2	1/2	5/8	5/8
			ID 18 HOSE	ID 18 HOSE	ID 18 HOSE	ID 18 HOSE	ID 18 HOSE
			1.5/2.5	1.5/2.5	1.5/2.5	1.5/2.5	1.5/2.5
			0.75~1.50	0.75~1.50	0.75~1.50	0.75~1.50	0.75~1.50
			R410A (Fluorinated greenhouse gas, GWP = 2,088)				
			EEV INCLUDED	EEV INCLUDED	EEV INCLUDED	EEV INCLUDED	EEV INCLUDED
			40/36/34/26 (WindFree™)	37/34/33/29 (WindFree™)	40/37/34/29 (WindFree™)	43/40/37/29 (WindFree™)	46/45/43/30 (WindFree™)
			56	55	58	62	64
			9.5	12.0	12.0	12.0	13.0
			820 x 299 x 215	1055 x 299 x 215	1055 x 299 x 215	1055 x 299 x 215	1055 x 299 x 215

### Accessories



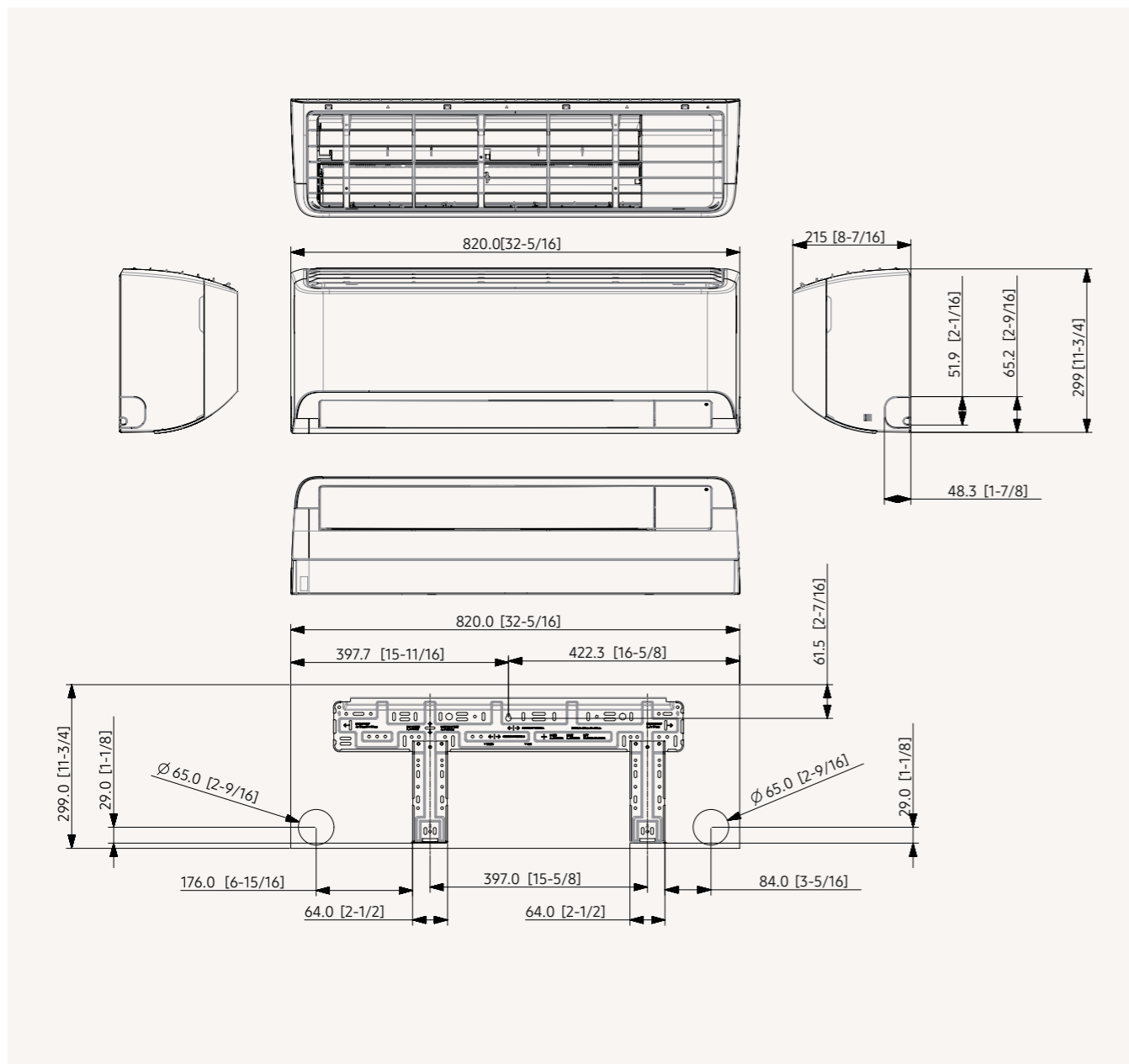
Wireless Remote Controller	Touch Controller	Wired Remote Controller	Wi-Fi Kit
AR-EH03E	MWR-SH11N	MWR-WG00*N	MIM-H04EN

<sup>1</sup> Sound pressure level is obtained in an anechoic room. Sound pressure level is a relative value, depending on the distance and acoustic environment. Sound pressure level may differ depending on operation conditions.

# Dimensional drawings

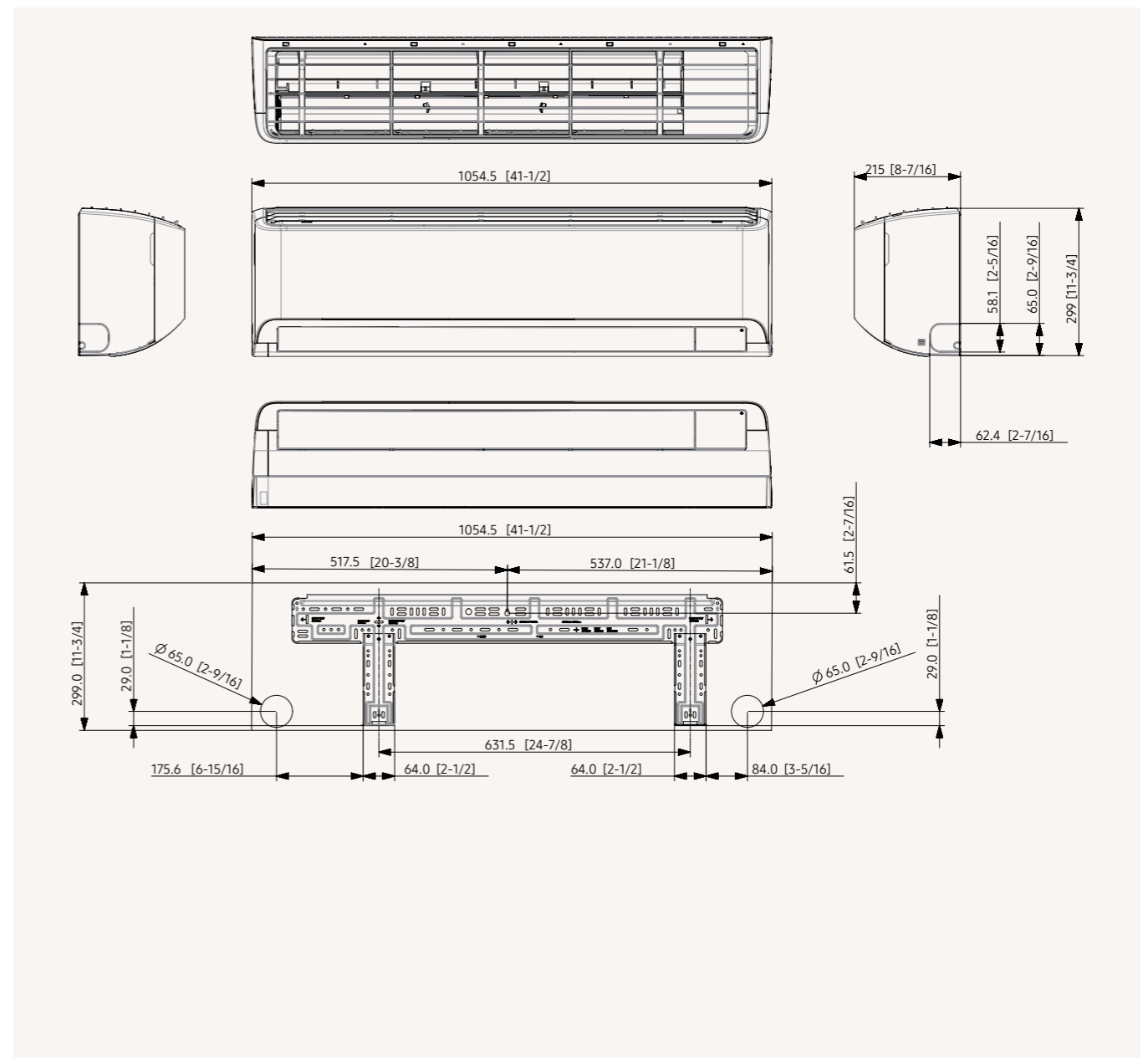
## WindFree™ Deluxe (EEV included)

AM015TNVDKH/EU AM022TNVDKH/EU AM028TNVDKH/EU AM036TNVDKH/EU



NO	Name	Description
1	Refrigerant gas pipe	$\phi 12.70$ (1/2) Flare
2	Refrigerant liquid pipe	$\phi 6.35$ (1/4) Flare
3	Drain pipe connection	ID 18 Hose

AM045TNVDKH/EU AM056TNVDKH/EU AM071TNVDKH/EU AM082TNVDKH/EU



NO	Name	Description
1	Refrigerant gas pipe	$\phi 12.70$ (1/2) Flare
2	Refrigerant liquid pipe	$\phi 6.35$ (1/4) Flare
3	Drain pipe connection	ID 18 Hose

# Specifications

## WindFree™ Deluxe (EEV excluded)

- Three-step cooling: Fast Cooling mode
- WindFree™ Cooling Mode
- Wi-Fi Control with SmartThings and Bixby voice controls

- Equipped with NASA communication protocol
- Equipped with Easy Filter Plus



			AM015TNADKH/EU	AM022TNADKH/EU	AM028TNADKH/EU
<b>Power Supply</b>		Φ, #, V, Hz	1Φ, 2, 220-240 V, 50/60 Hz	1Φ, 2, 220-240 V, 50/60 Hz	1Φ, 2, 220-240 V, 50/60 Hz
<b>Performance</b>	Capacity (Nominal)	Cooling	1.5	2.2	2.8
		Heating	1.7	2.5	3.2
<b>Power</b>	Capacity (Nominal)	Cooling	20	24	30
		Heating	20	24	30
	Current Input (Nominal)	Cooling	0.13	0.16	0.20
		Heating	0.13	0.16	0.20
<b>Fan</b>	Motor	Type	Crossflow Fan	Crossflow Fan	Crossflow Fan
		Output	27 x 1	27 x 1	27 x 1
	Airflow Rate	H/M/L (UL)	m <sup>3</sup> /min l/s	4.9/4.5/4.1 81.7/75.0/68.3	5.7/5.0/4.5 95.0/83.3/75.0
<b>Piping Connections</b>	Liquid Pipe	ø, mm	6.35	6.35	6.35
		ø, inch	1/4	1/4	1/4
	Gas Pipe	ø, mm	12.70	12.70	12.70
		ø, inch	1/2	1/2	1/2
	Drain Pipe	ø, mm	ID 18 HOSE	ID 18 HOSE	ID 18 HOSE
<b>Field Wiring</b>	Power Source Wire	mm <sup>2</sup>	1.5/2.5	1.5/2.5	1.5/2.5
	Transmission Cable	mm <sup>2</sup>	0.75-1.50	0.75-1.50	0.75-1.50
<b>Refrigerant</b>	Type	-	R410A (Fluorinated greenhouse gas, GWP = 2,088)		
	Control Method <sup>1</sup>	-	EEV NOT INCLUDED	EEV NOT INCLUDED	EEV NOT INCLUDED
<b>Sound</b>	Sound Pressure <sup>2</sup>	(H/M/L)	31/30/27/26 (WindFree™)	34/32/30/27 (WindFree™)	34/33/32/26 (WindFree™)
	Sound Power	Cooling	50	51	52
<b>Dimensions</b>	Net Weight	kg	8.5	8.5	9.0
	Net Dimensions (WxHxD)	mm	820 x 299 x 215	820 x 299 x 215	820 x 299 x 215



			AM036TNADKH/EU	AM045TNADKH/EU	AM056TNADKH/EU	AM071TNADKH/EU	AM082TNADKH/EU
		1Φ, 2, 220-240 V, 50/60 Hz	1Φ, 2, 220-240 V, 50/60 Hz	1Φ, 2, 220-240 V, 50/60 Hz	1Φ, 2, 220-240 V, 50/60 Hz	1Φ, 2, 220-240 V, 50/60 Hz	1Φ, 2, 220-240 V, 50/60 Hz
		3.6	4.5	5.6	6.8	8.2	
		4.0	5.0	6.3	7.0	8.5	
		37	40	52	60	65	
		37	40	52	60	65	
		0.25	0.27	0.35	0.40	0.43	
		0.25	0.27	0.35	0.40	0.43	
		Crossflow Fan	Crossflow Fan	Crossflow Fan	Crossflow Fan	Crossflow Fan	
		27 x 1	27 x 1	27 x 1	27 x 1	27 x 1	
		10.3/9.1/8.3	12.5/11.4/10.5	15.7/13.8/12.0	16.8/15.0/13.2	17.5/15.6/13.8	
		171.7/151.7/138.3	208.3/190.0/175.0	261.7/230.0/200.0	280.0/250.0/220.0	291.7/260.0/230.0	
		6.35	6.35	6.35	9.52	9.52	
		1/4	1/4	1/4	3/8	3/8	
		12.70	12.70	12.70	15.88	15.88	
		1/2	1/2	1/2	5/8	5/8	
		ID 18 HOSE	ID 18 HOSE	ID 18 HOSE	ID 18 HOSE	ID 18 HOSE	
		1.5/2.5	1.5/2.5	1.5/2.5	1.5/2.5	1.5/2.5	
		0.75-1.50	0.75-1.50	0.75-1.50	0.75-1.50	0.75-1.50	
		R410A (Fluorinated greenhouse gas, GWP = 2,088)					
		EEV NOT INCLUDED	EEV NOT INCLUDED	EEV NOT INCLUDED	EEV NOT INCLUDED	EEV NOT INCLUDED	
		40/36/34/26 (WindFree™)	37/34/33/29 (WindFree™)	40/37/34/29 (WindFree™)	43/40/37/29 (WindFree™)	46/45/43/30 (WindFree™)	
		56	55	58	62	64	
		9.0	11.5	11.5	11.5	12.5	
		820 x 299 x 215	1055 x 299 x 215	1055 x 299 x 215	1055 x 299 x 215	1055 x 299 x 215	

### Accessories



Wireless Remote Controller	Touch Controller	Wired Remote Controller	Wi-Fi Kit	EEV Kit 1 Indoor	EEV Kit 2 Indoor	EEV Kit 3 Indoor
AR-EH03E	MWR-SH11N	MWR-WG00*N	MIM-H04EN	MEV-***SA	MXD-E24/32K***A	MXD-E24/32K***A

<sup>1</sup> EEV Kit is necessary to control the refrigerant flow in the WindFree™ Deluxe (EEV Excluded), please order EEV Kit separately.

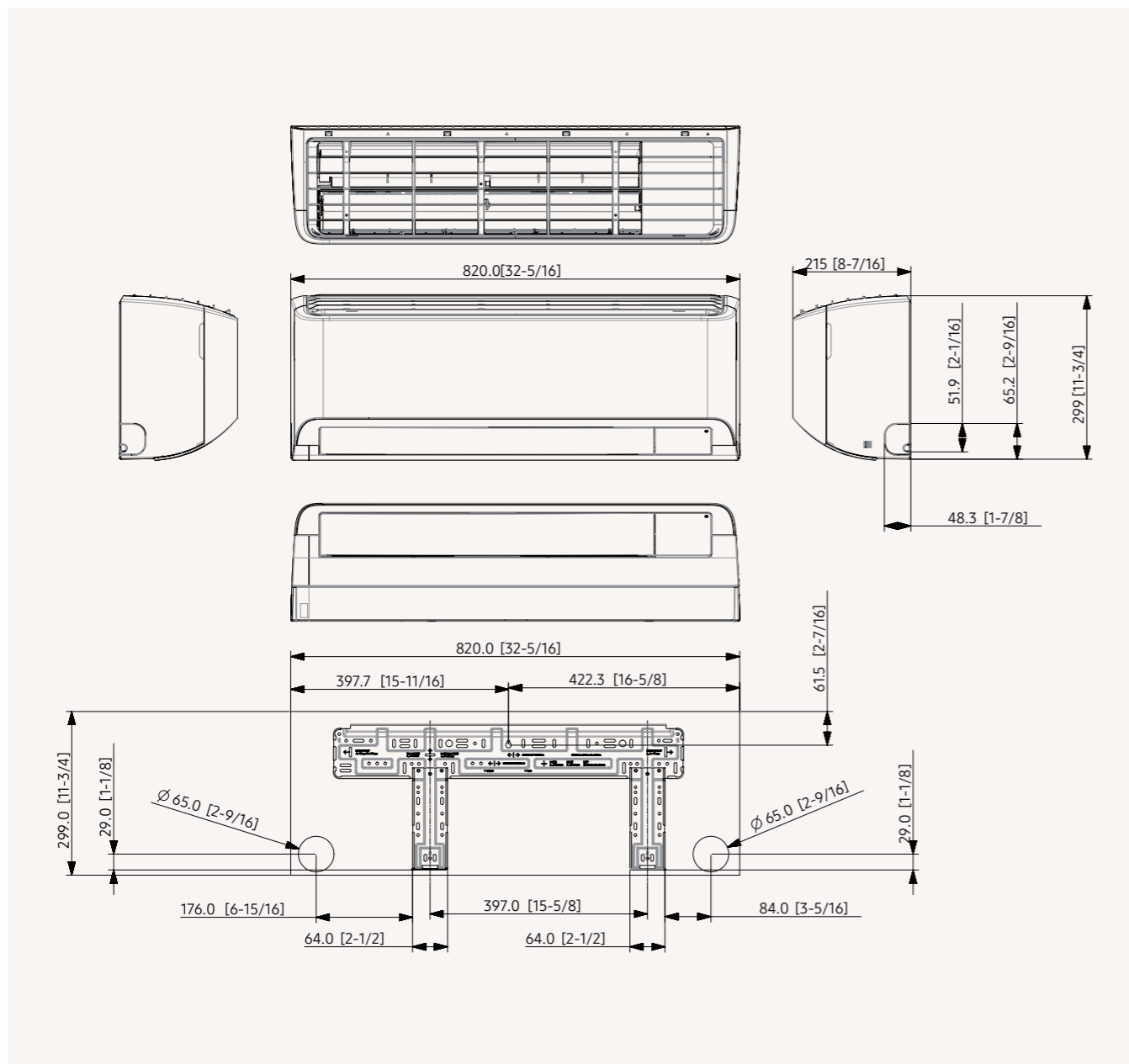
<sup>2</sup> Sound pressure level is obtained in an anechoic room. Sound pressure level is a relative value, depending on the distance and acoustic environment. Sound pressure level may differ depending on operation conditions.



# Dimensional drawings

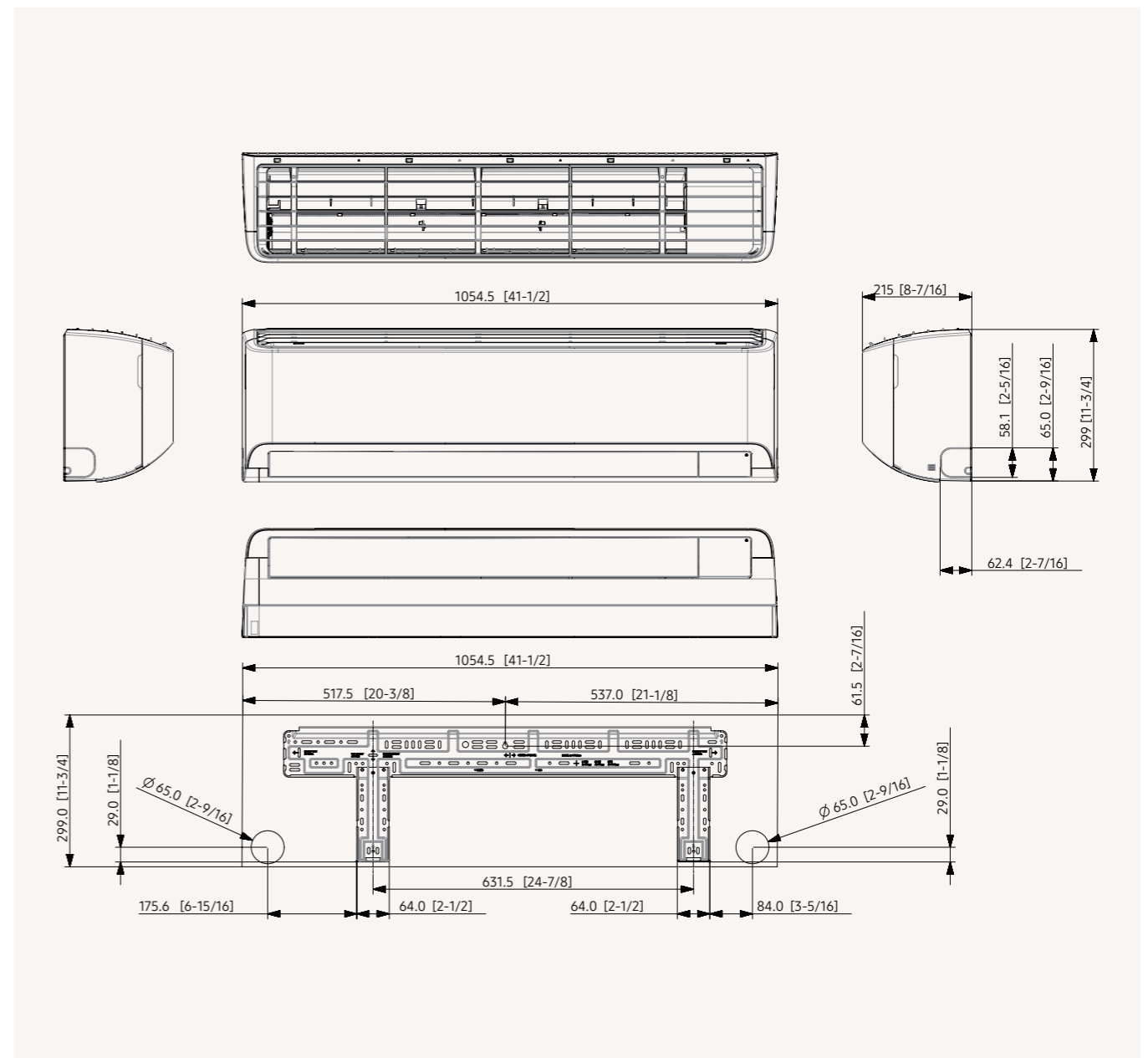
## WindFree™ Deluxe (EEV excluded)

AM015TNADKH/EU AM022TNADKH/EU AM028TNADKH/EU AM036TNADKH/EU



NO	Name	Description
1	Refrigerant gas pipe	$\varnothing 12.70$ (1/2) Flare
2	Refrigerant liquid pipe	$\varnothing 6.35$ (1/4) Flare
3	Drain pipe connection	ID 18 Hose

AM045TNADKH/EU AM056TNADKH/EU AM071TNADKH/EU AM082TNADKH/EU



NO	Name	Description
1	Refrigerant gas pipe	$\varnothing 12.70$ (1/2) Flare
2	Refrigerant liquid pipe	$\varnothing 6.35$ (1/4) Flare
3	Drain pipe connection	ID 18 Hose

# Specifications

## Max Wall-Mounted

- Cross-flow fan direct driven by a single BLDC motor.
- Return air is filtered by means of an easily removable, washable Full HD 80 filter.
- Motorised louvre provides an automatic change in airflow by directing the air up and down.
- Manual adjustable guide vane allows users to change the airflow from side to side (left to right).



Model	AM093MNQDEH/EU			
Power Supply	Φ, #, V, Hz	1Φ, 2, 220-240 V, 50 Hz		
Performance	Capacity	Cooling	kW	9.3
		Heating	kW	9.8
Power	Power Input	Cooling	W	66
		Heating	W	76
	Current Input	Cooling	A	0.47
		Heating	A	0.54
Current	MCA	A	0.68	
	MFA	A	15	
Fan	Type	-		Crossflow Fan
	Number of Fans	ea		1
	Airflow Rate	H/M/L	m <sup>3</sup> /min	23/20/17
		l/s	383/333/283	
Fan Motor	Type	-		BLDC Motor
	Output x n	W		58 x 1
Piping Connections	Liquid Pipe	ø, mm		9.52
		ø, inch		3/8
	Gas Pipe	ø, mm		15.88
		ø, inch		5/8
Drain Pipe	ø, mm		ID 18 HOSE	
Wiring Connections	Communication	Min.	mm <sup>2</sup>	0.75
		Remark	-	
Refrigerant	Type	-		R410A (Fluorinated greenhouse gas, GWP=2,088)
	Electronic Expansion Valve	-		EEV INCLUDED
Sound	Sound Pressure <sup>1</sup>	H/M/L	dB(A)	49/46/42
	Sound Power	Cooling	dB(A)	66
Dimensions	Net Weight	kg		18.5
	Net Dimensions (W × H × D)	mm		1,280 x 345 x 253

### Accessories



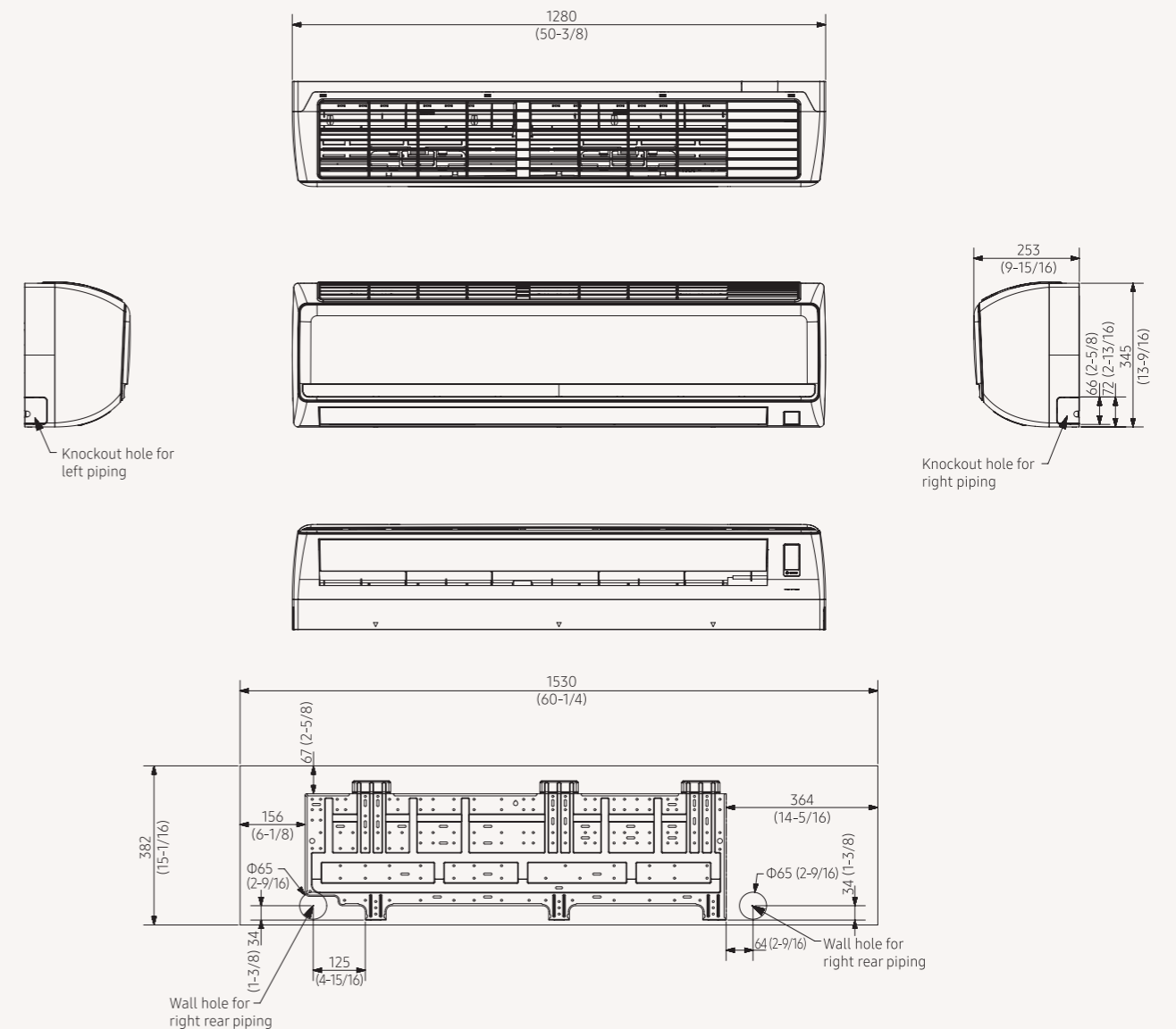
Touch Controller	Wired Remote Controller	Wi-Fi Kit	External Room Sensor
MWR-SH11N	MWR-WG00*N	MIM-H04EN	MRW-TA

<sup>1</sup> Sound pressure level is obtained in an anechoic room. Sound pressure level is a relative value, depending on the distance and acoustic environment. Sound pressure level may differ depending on operation conditions.

# Dimensional drawings

## Max Wall-Mounted

AM093MNQDEH\*\*



NO	Name	Description
1	Liquid pipe connection	ø9.52 (3/8)
2	Gas pipe connection	ø15.88 (5/8)
3	Drain pipe connection	ID 18 HOSE
4	Power supply/communication wiring conduits	-

# Specifications

## Hydro Unit

- Production of low temperature hot water and chilled water.
- Hot water production to a maximum temperature of 50 °C/80 °C (HT models).
- Two-way control: leaving water temperature and room temperature control.
- Connection to low temperature radiators and AHU water coils.
- Hot water production for domestic hot water use.
- Connectable to Heat Recovery DVM S systems (excluding 50 kW hydro unit).

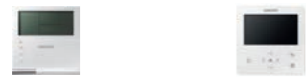


Model (HE)			AM160FNBDEH/EU	AM320FNBDEH/EU	AM500FNBDEH/EU	
Power Supply		Φ, #, V, Hz	1Φ, 2, 220-240 V, 50 Hz	1Φ, 2, 220-240 V, 50 Hz	1Φ, 2, 220-240 V, 50 Hz	
Performance	Capacity (Nominal)	Cooling	kW	14.0	28.0	44.8
		Heating	kW	16.0	31.5	50.4
Power	Power Input (Nominal)	Cooling	W	10	10	10
		Heating	W	10	10	10
	Current Input (Nominal)	Cooling	A	0.05	0.05	0.05
		Heating	A	0.05	0.05	0.05
	MCA (Including External Contact)	A	2.2	2.2	2.2	
	MFA	A	2.75	2.75	2.75	
Heat Exchanger	Type	-	PHE	PHE	PHE	
	Quantity	ea	1	1	1	
	Pipe Size	ø, inch	PT1 (25A)	PT1 (25A)	PT1 1/4 (32A)	
	Water Flow Rate	l/min	48	92	150	
	Flow Switch	l/min	20	30	50	
Piping Connections	Liquid Pipe	ø, mm	9.52	9.52	12.70	
		ø, inch	3/8	3/8	1/2	
	Gas Pipe	ø, mm	15.88	22.20	28.58	
		ø, inch	5/8	7/8	1 1/8	
Field Wiring	Power Source Wire (L<10 m, Single Installation)	mm <sup>2</sup>	2.5	2.5	2.5	
	Transmission Cable	mm <sup>2</sup>	0.75-1.50	0.75-1.50	0.75-1.50	
Refrigerant	Type	-	R410A (Fluorinated greenhouse gas, GWP=2,088)			
	Control Method	-	EEV	EEV	EEV	
Sound	Sound Pressure <sup>1</sup>	dB(A)	27	28	31	
Dimensions	Net Weight	kg	29.0	33.0	40.0	
	Net Dimensions (W x H x D)	mm	518 x 627 x 330	518 x 627 x 330	518 x 627 x 330	
Operating Temperature Range	Ambient	Cooling	°C	-5.0-48.0	-5.0-48.0	-5.0-48.0
		Heating	°C	-20.0-35.0	-20.0-35.0	-20.0-35.0
		Hot Water (Main Cooling, HR)	°C	-20.0-35.0 (43.0)	-20.0-35.0 (43.0)	-20.0-35.0 (43.0)
	Leaving Water	Cooling	°C	5.0-30.0	5.0-30.0	5.0-30.0
		Heating	°C	20.0-50.0	20.0-50.0	20.0-50.0



Model (HT)			AM160TNBFEB/EU	AM160TNBFG/EU	AM250TNBFEB/EU	AM250TNBFG/EU	
Power Supply		Φ, #, V, Hz	1Φ, 2, 220-240 V, 50 Hz	3Φ, 4, 380-415 V, 50 Hz	1Φ, 2, 220-240 V, 50 Hz	3Φ, 4, 380-415 V, 50 Hz	
Performance	Capacity (Nominal)	Cooling	kW	-	-	-	
		Heating	kW	16	16	25	25
Power	Power Input (Nominal)	Cooling	W	-	-	-	
		Heating	W	3.1	3.1	5.0	5.0
	Current Input (Nominal)	Cooling	A	-	-	-	
		Heating	A	14.30	4.85	23.10	7.85
	MCA (Including External Contact)	A	18.0	16.1	30.0	16.1	
	MFA	A	25	20	40	20	
Heat Exchanger	Type	-	PHE	PHE	PHE	PHE	
	Quantity	ea	2	2	2	2	
	Pipe Size	ø, inch	PT1 (25A)	PT1 (25A)	PT1 (25A)	PT1 (25A)	
	Water Flow Rate	l/min	23	23	36	36	
	Flow Switch	l/min	12	12	12	12	
Piping Connections	Liquid Pipe	ø, mm	9.52	9.52	9.52	9.52	
		ø, inch	3/8	3/8	3/8	3/8	
	Gas Pipe	ø, mm	15.88	15.88	15.88	15.88	
		ø, inch	5/8	5/8	5/8	5/8	
Field Wiring	Power Source Wire (L<10 m, Single Installation)	mm <sup>2</sup>	4	2.5	4	2.5	
	Transmission Cable	mm <sup>2</sup>	0.75-1.50	0.75-1.50	0.75-1.50	0.75-1.50	
Refrigerant	Type	-	R134A (Fluorinated greenhouse gas, GWP=1,430)				
	Control Method	-	EEV	EEV	EEV	EEV	
	Factory Charging	kg / tCO <sub>2</sub> e	2.15/3.07	2.15/3.07	2.15/3.07	2.15/3.07	
Sound	Sound Pressure <sup>1</sup>	dB(A)	42	42	42	42	
	Sound Power	dB(A)	-	-	-	-	
Dimensions	Net Weight	kg	105.0	103.5	105.0	103.5	
	Net Dimensions (W x H x D)	mm	518 x 1,210 x 330	518 x 1,210 x 330	518 x 1,210 x 330	518 x 1,210 x 330	
Operating Temperature Range	Ambient	Cooling	°C	-	-	-	
		Heating	°C	-20-43	-20-43	-20-43	-20-43
		Hot Water (Main Cooling, HR)	°C	-20-43	-20-43	-20-43	-20-43
	Leaving Water	Cooling	°C	5-30	5-30	5-30	5-30
		Heating	°C	25-80	25-80	25-80	25-80

### Accessories



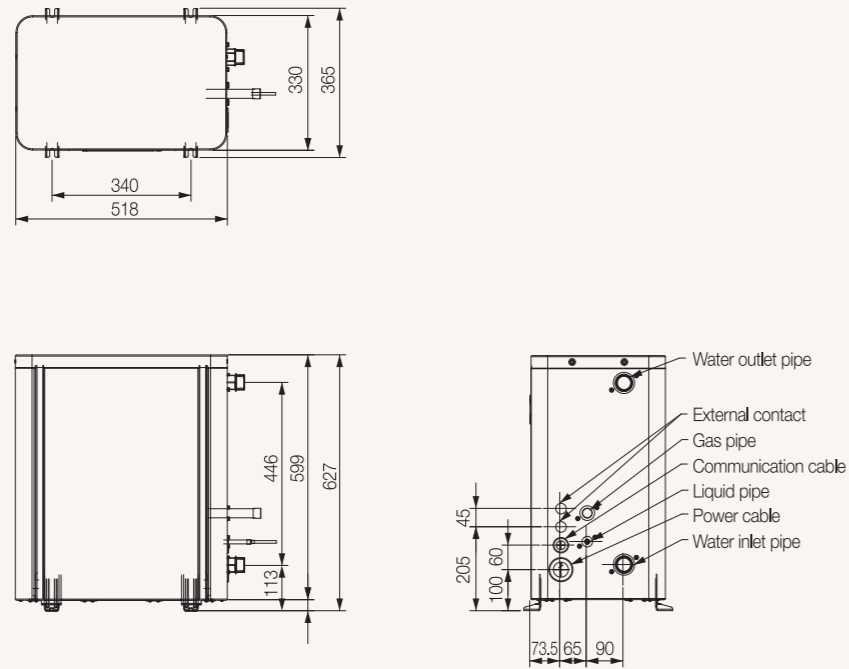
Wired Remote Controller	Wired Remote Controller
MWR-WW00N	MWR-WW10*N

<sup>1</sup> Sound pressure level is obtained in an anechoic room. Sound pressure level is a relative value, depending on the distance and acoustic environment. Sound pressure level may differ depending on operation conditions.

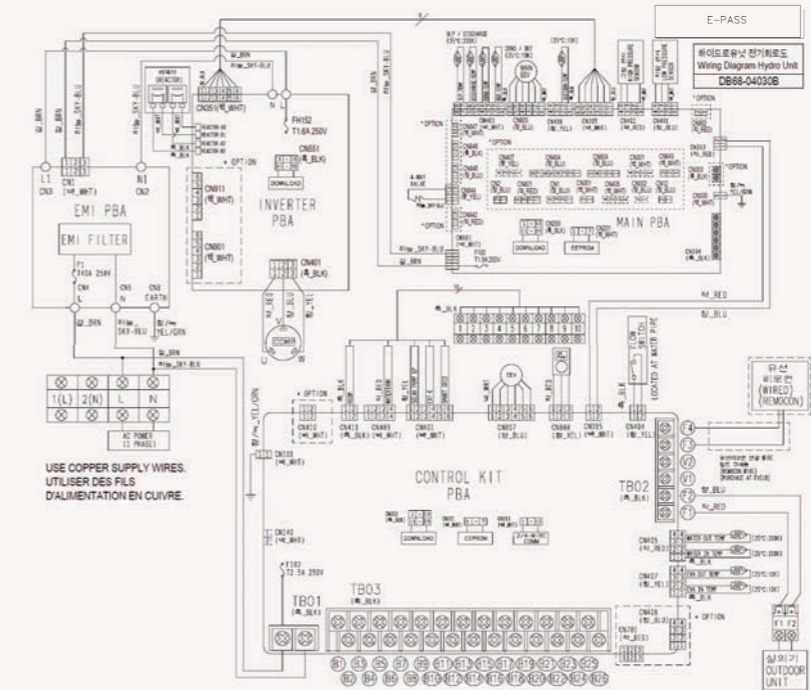
# Dimensional drawings

## Hydro Unit

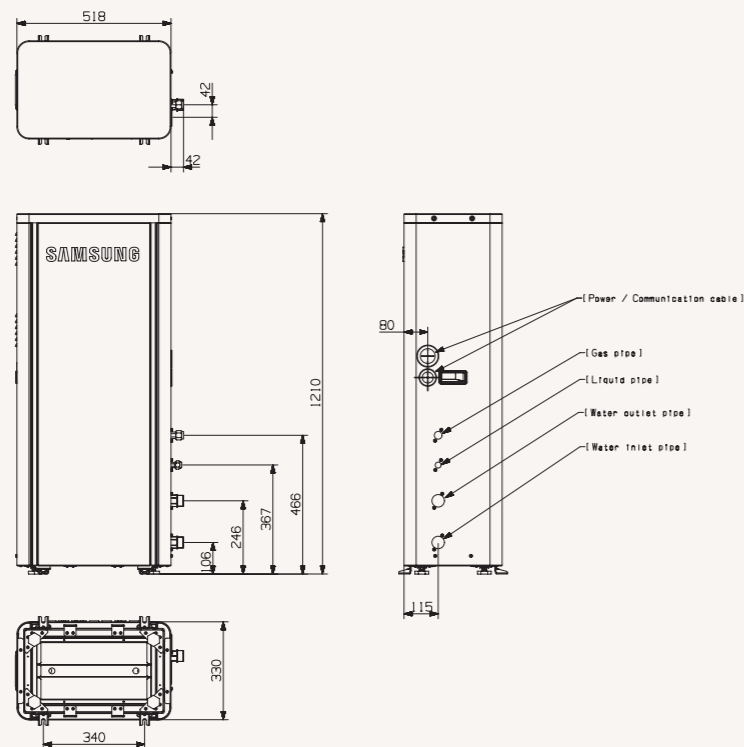
AM\*\*\*FNBDEH/EU



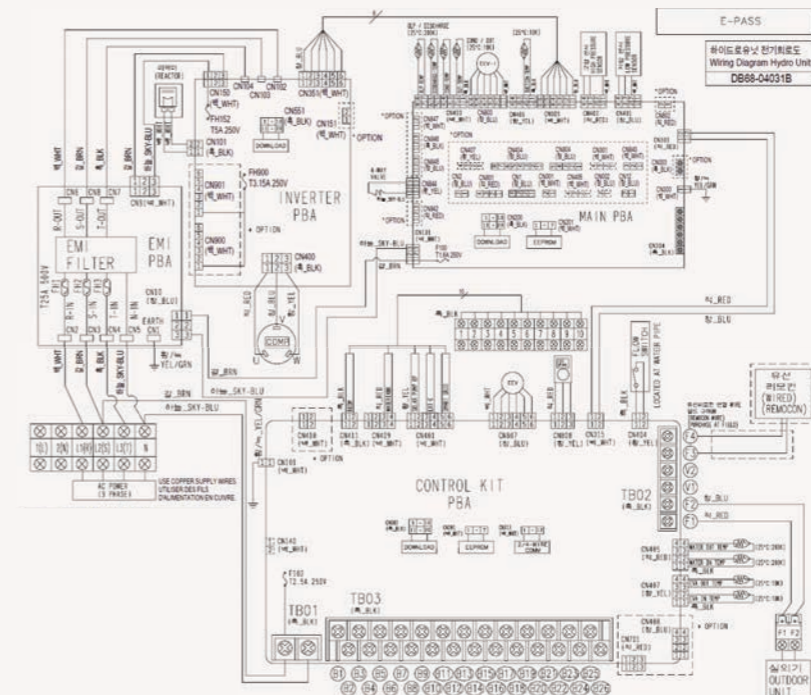
AM160/250TNBFEB/EU



AM\*\*\*TNBF\*B/EU



AM160/250TNBFG/EU



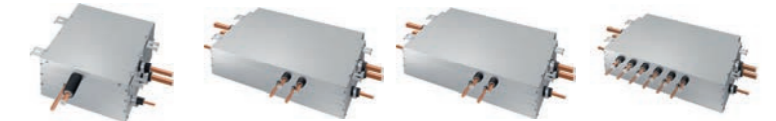
# Specifications

## Mode Control Unit (MCU)

- Enable simultaneous heating and cooling for DVM Heat Recovery model.



Model		MCU-R4NEKON	MCU-S6NEK3N	
Type		HR Changer	MCU	
Power Supply	Φ, #, V, Hz	1Φ, 220~240 V, 50/60 Hz	1Φ, 220~240 V, 50/60 Hz	
Mode	-	Heat Recovery	Heat Recovery	
Max. number of indoor units	ea	12	18	
Max. indoor units per port	ea	3	3	
Number of ports	ea	4	6	
Max. capacity of indoor units	kW	22.4	22.4	
Max. capacity of indoor units per port	kW	5.6	5.6	
	Y-Joint	14.0	14.0	
Refrigerant	Additional Refrigerant Charging	kg/unit	0.5	
Piping Connections	Outdoor Unit - Liquid Pipe	ø, mm	9.52	
		ø, inch	3/8	
		Gas Pipe (Low Pressure)	ø, mm	19.05
		ø, inch	3/4	
	Gas Pipe (High Pressure)	ø, mm	15.88	
		ø, inch	5/8	
		Indoor Unit - Liquid Pipe	ø, mm	6.35
			ø, inch	1/4
Gas Pipe	ø, mm	12.70		
	ø, inch	1/2		
External Dimensions	Net Weight	kg	21.3	
	Net Dimensions (W x H x D)	mm	728 x 199 x 469	
			728 x 199 x 469	
Operating Temperature Range	Cooling	°C	-5~48	
	Heating	°C	-25~26	
			-25~26	

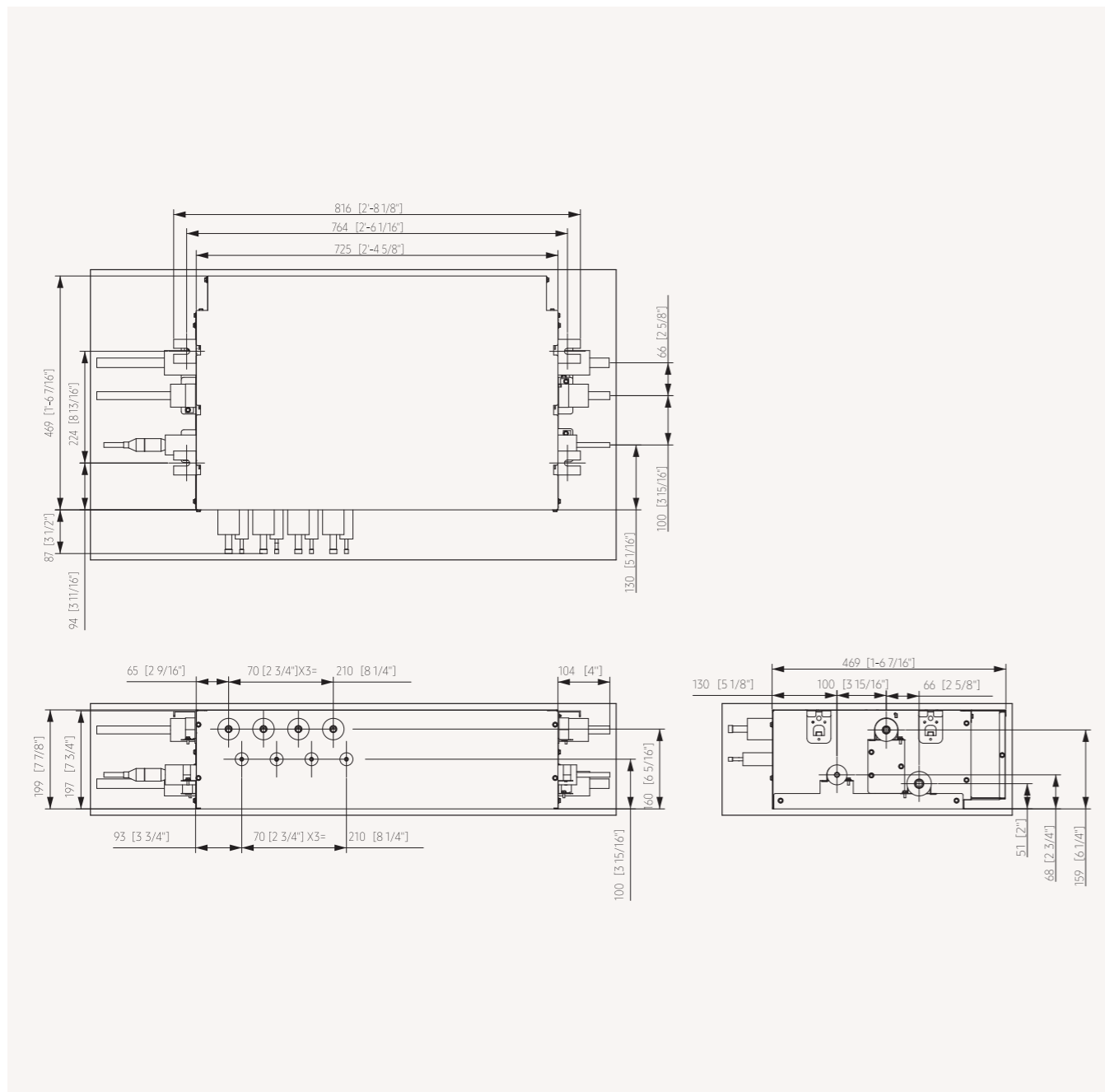


Model		MCU-S1NEK1N	MCU-S2NEK2N	MCU-S4NEK3N	MCU-S6NEK2N		
Power Supply	Φ, #, V, Hz	1Φ, 2, 220~240 V, 50 Hz, 1Φ, 2, 208~230 V, 60 Hz					
Power	Power Input (Nominal)	Cooling	W	19	25	40	55
		Heating	W	19	25	40	55
	Current Input (Nominal)	Cooling	A	0.20	0.20	0.20	0.30
		Heating	A	0.20	0.20	0.20	0.30
	MCA	A	2.0	2.0	2.0	2.0	
MFA (MOP)	A	15.0	15.0	15.0	15.0		
Max. number of connectable indoor units	ea	8	16	32	32		
Max. number of connectable indoor units per branch	ea	8	8	8	8		
Number of branches	ea	1	2	4	6		
Max. capacity of connectable indoor units	kW	16.0	32.0	61.6	61.6		
Max. capacity of connectable indoor units per branch	kW	16.0	16.0	16.0	16.0		
	Y-Joint	kW	-	32.0	32.0	32.0	
Field Wiring	Power Source Wire	mm <sup>2</sup>	2.5	2.5	2.5	2.5	
	Transmission Cable	mm <sup>2</sup>	0.75~1.50	0.75~1.50	0.75~1.50	0.75~1.50	
Sound Pressure	Stable Cooling Operation	dB(A)	33	34	36	36	
	Heating-to-Cooling Changeover	-	50	50	50	50	
Additional Refrigerant Charging	kg/unit	0.5	0.5	0.5	0.5		
Piping Connections	Outdoor Unit	Liquid Pipe	ø, mm	9.52	15.88	15.88	15.88
			ø, inch	3/8	5/8	5/8	5/8
		Gas Pipe	ø, mm	22.22	28.58	28.58	28.58
			ø, inch	7/8	11/8	11/8	11/8
		Discharge Gas	ø, mm	19.05	28.58	28.58	28.58
			ø, inch	3/8	11/8	11/8	11/8
	Indoor Unit	Liquid Pipe	ø, mm	9.52	9.52	9.52	9.52
			ø, inch	3/8	3/8	3/8	3/8
		Gas Pipe	ø, mm	15.88	15.88	15.88	15.88
			ø, inch	5/8	5/8	5/8	5/8
External Dimensions	Net Weight	kg	11.0	21.0	24.5	28.5	
	Net Dimensions (W x H x D)	mm	338 x 409 x 199	728 x 469 x 199	728 x 469 x 199	728 x 469 x 199	
Operation Limit	Cooling	°C (°F)	-15~48 (5~118.4)	-15~48 (5~118.4)	-15~48 (5~118.4)	-15~48 (5~118.4)	
	Heating	°C (°F)	-25~24 (-13~75.2)	-25~24 (-13~75.2)	-25~24 (-13~75.2)	-25~24 (-13~75.2)	

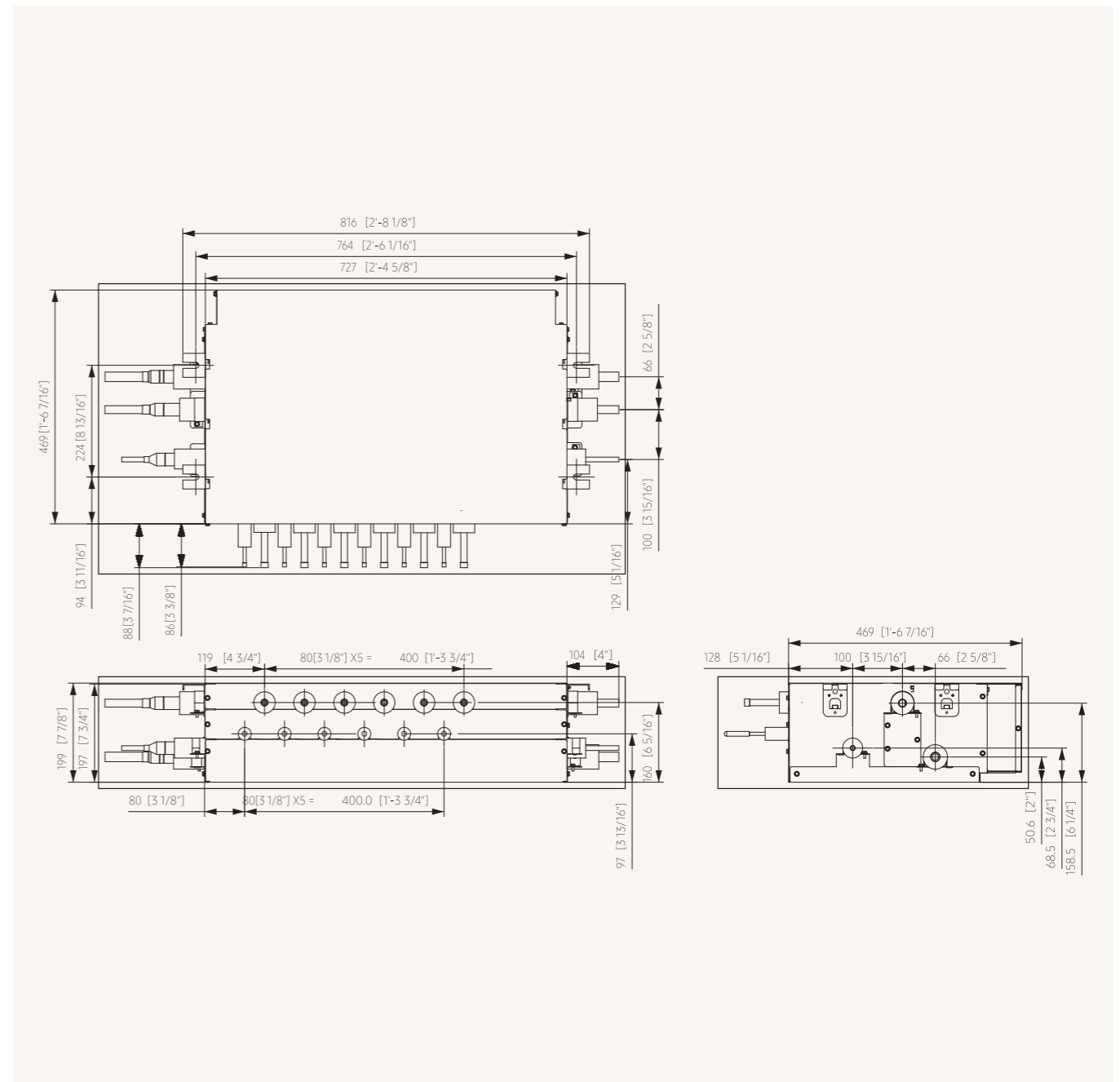
# Dimensional drawings

## Mode Control Unit (MCU)

MCU-R4NEKON



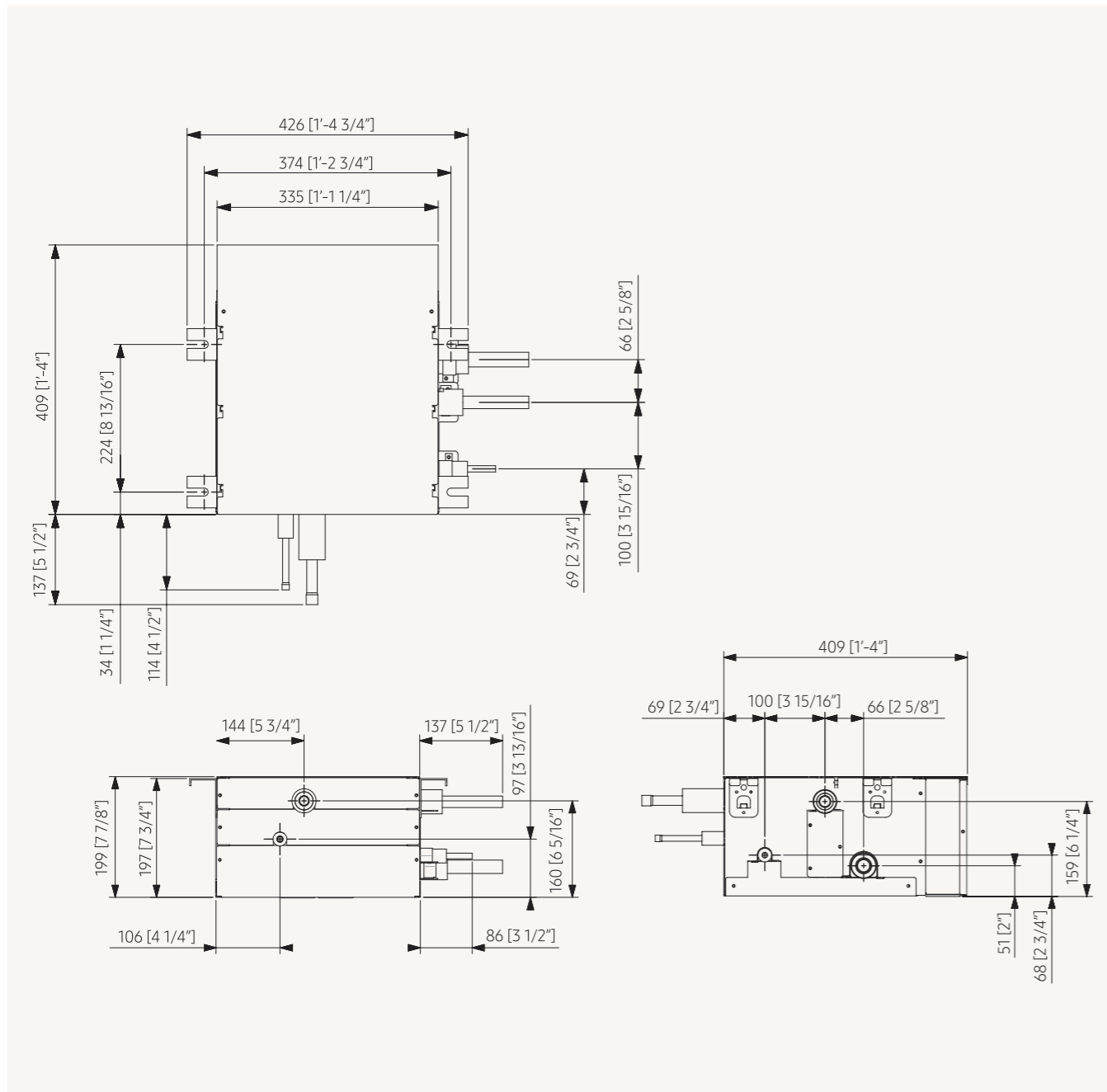
MCU-S6NEK3N



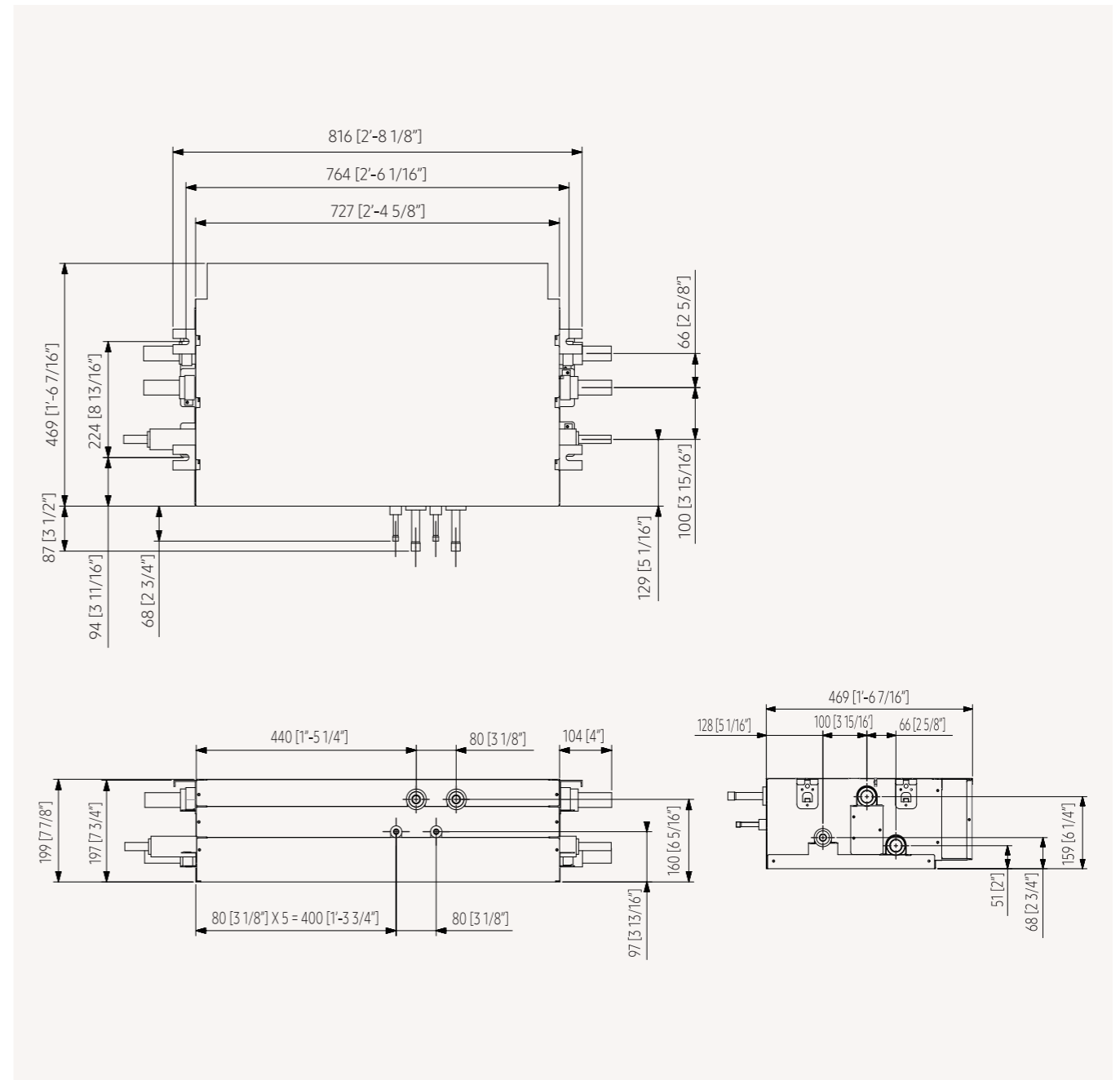
# Dimensional drawings

## Mode Control Unit (MCU)

MCU-S1NEK1N



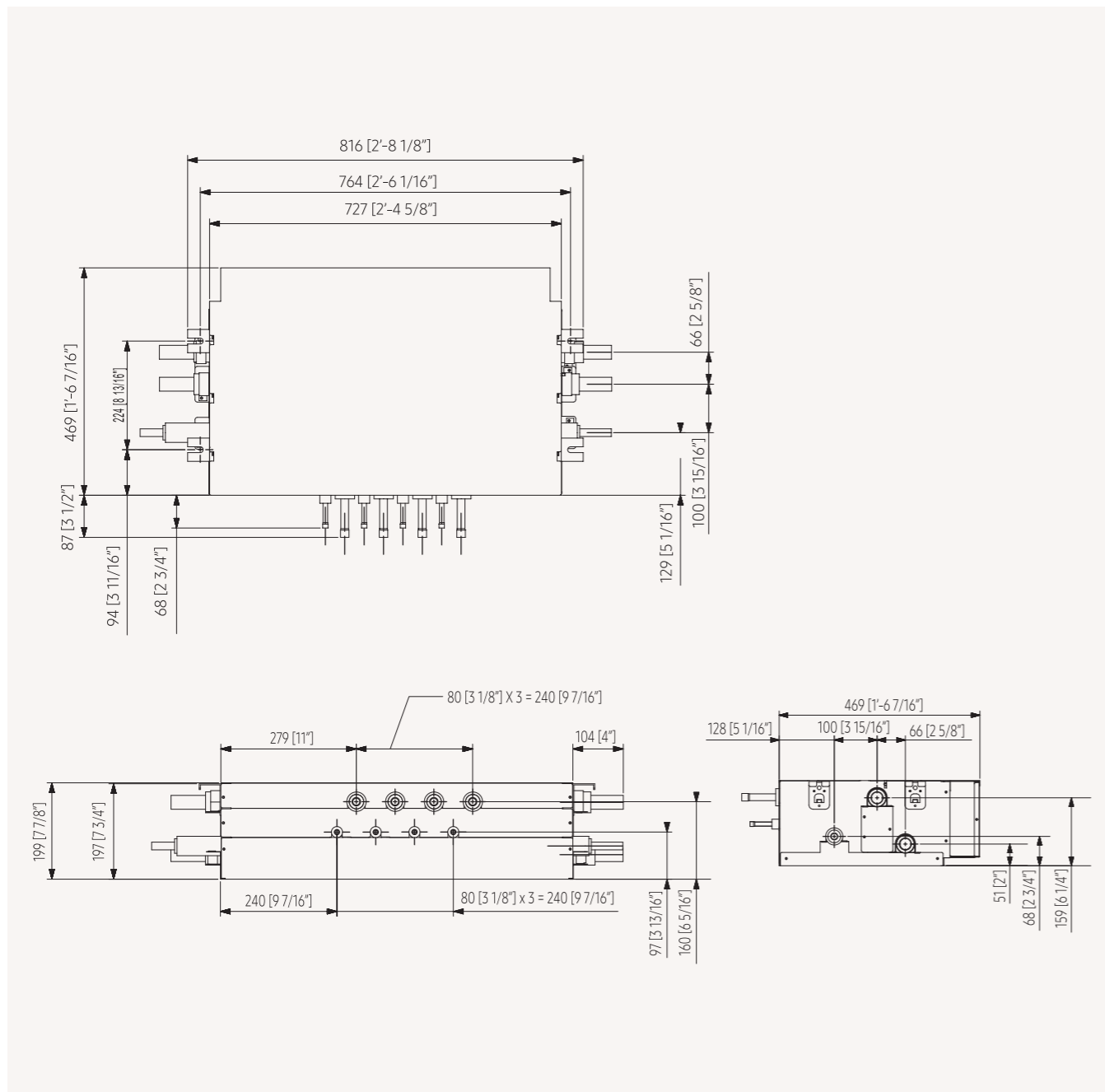
MCU-S2NEK2N



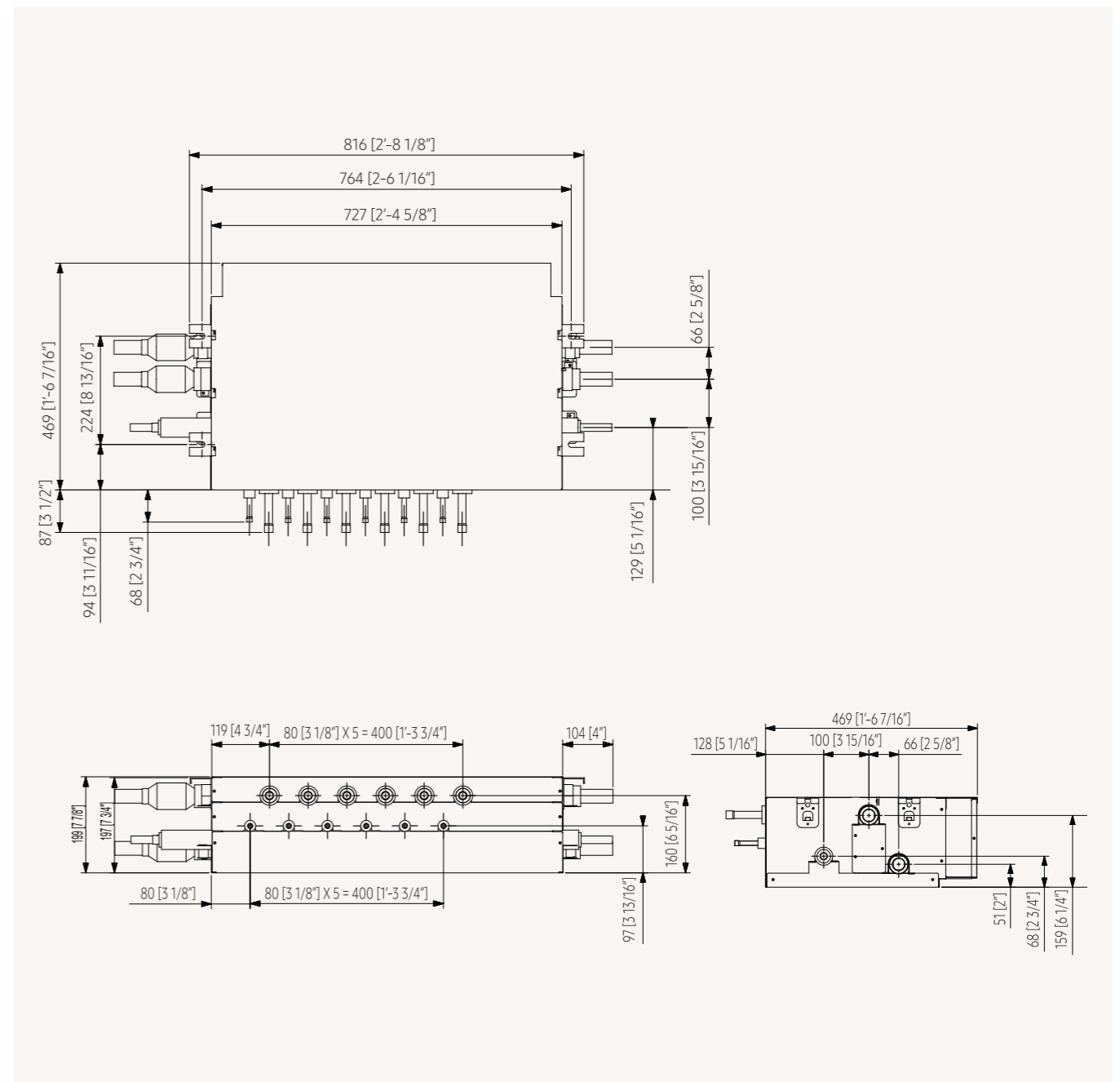
# Dimensional drawings

## Mode Control Unit (MCU)

MCU-S4NEK3N



MCU-S6NEK2N





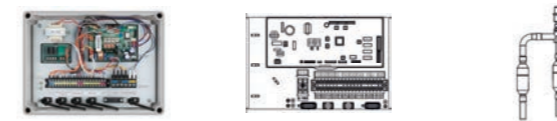
# Specifications

## AHU Kit for Outdoor Unit

- Provide the benefits of the AHU and DVM systems at the same time.
- Centralised air conditioning system.
- The AHU kit can provide cooling or heating in one package.



Model			AHU Kit			
			MXD-K025AN	MXD-K050AN	MXD-K075AN	
Connectable Outdoor			HP/HR	HP/HR	HP/HR	
Power Supply		Φ, #, V, Hz	1Φ, 2, 220-240 V, 50/60 Hz	1Φ, 2, 220-240 V, 50/60 Hz	1Φ, 2, 220-240 V, 50/60 Hz	
Design Recommendation	AHU Capacity Allowance	Max.	kW	8.8	17.5	24.9
			MBH	30	60	85
	Min.	kW	6.3	12.6	18.9	
		MBH	21.6	43.2	64.8	
AHU Internal Heat Exchanger Volume Allowance	Max.	cm <sup>3</sup>	2,000	4,000	6,000	
	Min.	cm <sup>3</sup>	1,200	2,400	4,100	
Piping Connections (EEV Kit)	High pressure pipe from outdoor unit	ø, mm	9.52	9.52	9.52	
		ø, inch	3/8	3/8	3/8	
	High pressure pipe to AHU	ø, mm	9.52	9.52	9.52	
		ø, inch	3/8	3/8	3/8	
Sensor	EVA_IN	Type/Φ	103HW/6Φ	103HW/6Φ	103HW/6Φ	
		m/mm <sup>2</sup>	10 m/2*0.75 mm <sup>2</sup>	10 m/2*0.75 mm <sup>2</sup>	10 m/2*0.75 mm <sup>2</sup>	
	EVA_OUT	Type/Φ	103HW/7Φ	103HW/7Φ	103HW/7Φ	
		m/mm <sup>2</sup>	10 m/2*0.75 mm <sup>2</sup>	10 m/2*0.75 mm <sup>2</sup>	10 m/2*0.75 mm <sup>2</sup>	
	Room	Type/Φ	103HW/Moulding	103HW/Moulding	103HW/Moulding	
		m/mm <sup>2</sup>	10 m/2*0.75 mm <sup>2</sup>	10 m/2*0.75 mm <sup>2</sup>	10 m/2*0.75 mm <sup>2</sup>	
	Discharge	Type/Φ	103HW/7Φ	103HW/7Φ	103HW/7Φ	
		m/mm <sup>2</sup>	10 m/2*0.75 mm <sup>2</sup>	10 m/2*0.75 mm <sup>2</sup>	10 m/2*0.75 mm <sup>2</sup>	
Refrigerant	Type	-	R410A(Fluorinated greenhouse gas, GWP=2,088)			
EEV Kit	Type	-	INCLUDED	INCLUDED	INCLUDED	
	EEV Wire Length	m	2	2	7	
		ft	6.6	6.6	23.0	
External Dimensions	EEV Kit	(W x H x D)	mm	415 x 102 x 170	415 x 102 x 170	415 x 102 x 170
	Control Box	(W x H x D)	mm	380 x 130 x 280	380 x 130 x 280	380 x 130 x 280




AHU Kit	Control Kit	EEV Kit (Optional)
MXD-K100AN	MCM-D201N	MXD-A64K100E
HP/HR	HP	HP
1Φ, 2, 220-240 V, 50/60 Hz	1Φ, 2, 220-240 V, 50/60 Hz	-
35.0	35.0/70.0/105.0/140.0	35.0
120	119/239/358/478	119
25.2	25.2/50.4/75.6/100.8	25.2
86.4	86.4/172.8/259.2/345.6	86.4
8,000	8,000/16,000/24,000/32,000	8,000
6,100	6,100/12,200/18,300/24,400	6,100
9.52	-	12.70
3/8	-	1/2
9.52	-	12.70
3/8	-	1/2
103HW/6Φ	103HW/6Φ	-
10 m/2*0.75 mm <sup>2</sup>	7 m/2*0.75 mm <sup>2</sup>	-
103HW/7Φ	103HW/7Φ	-
10 m/2*0.75 mm <sup>2</sup>	7 m/2*0.75 mm <sup>2</sup>	-
103HW/Moulding	PT1000Ω/4-20 mA Field Supply	-
10 m/2*0.75 mm <sup>2</sup>	-	-
103HW/7Φ	PT1000Ω/4-20 mA Field Supply	-
10 m/2*0.75 mm <sup>2</sup>	-	-
	R410A(Fluorinated greenhouse gas, GWP=2,088)	
INCLUDED	NOT INCLUDED	-
7	-	7
23.0	-	23.0
415 x 102 x 170	-	Accessory for MCM-D201N, ordered separately (1 per 10HP)
380 x 130 x 280	385 x 53 x 275	-

# VRF Chiller



# Line-up outdoor

Model Type	Image	42 kW	56 kW	65 kW
Non-Pump Model		AG042KSVANH/EU	AG056KSVANH/EU	AG070KSVANH/EU

Combining modules allows each product to work at high capacity. You can combine up to 16 modules.






# Combination guide - outdoor

## Modulation guide

Total Capacity (kW)	Model			Suggested ø water type controller piping
	AG042	AG056	AG070	
42	1			40
56		1		40
65			1	50
84	2			50
112		2		65
126	3			65
130			2	80
168		3		80
168 (high efficiency)	4			80
195			3	80
210	5			80
224		4		100
252	6			100
260			4	100
280		5		100
294	7			100
325			5	100
336		6		100
336 (high efficiency)	8			100
378	9			100
390			6	100
392		7		100
420	10			100
448		8		125

Total Capacity (kW)	Model			Suggested ø water type controller piping
	AG042	AG056	AG070	
455			7	125
462	11			125
504		9		125
504 (high efficiency)	12			125
520			8	125
546	13			125
560		10		125
585			9	125
588	14			125
616		11		125
630	15			125
650			10	125
672		12		125
672 (high efficiency)	16			125
715			11	150
728		13		125
780			12	150
784		14		150
840		15		150
845			13	150
896		16		150
910			14	150
975			15	150
1,040			16	150

# Line-up indoor

Model Type	Image	1.9 kW	2.6 kW	3.0 kW	4.2 kW	6.0 kW	7.2 kW	7.8 kW	9.0 kW	10.0 kW
WindFree™ 1-Way Cassette FCU			•	•	•					
4-Way Cassette FCU						•	•		•	•
360 Cassette FCU						•	•		•	•
Concealed FCU		•	•	•	•	•	•			
Cased FCU		•	•	•	•	•	•			

# Selection guide

Cassette



Feature	WindFree™ 1-Way Cassette FCU	4-Way Cassette FCU	360 Cassette FCU
Cooling capacity range (nominal)	2.6–4.15 kW	6.0–10.0 kW	6.0–10.0 kW
Heating capacity range (nominal)	2.9–5.0 kW	7.3–10.7 kW	7.3–10.7 kW
Fan motor type	BLDC	BLDC	BLDC
Drain Pump	Built-in	Built-in	Built-in
Filter	Microfibrous filter	Microfibrous filter	Microfibrous filter
3-Way Valve	Optional	Optional	Optional
2-pipe	●	●	●
4-pipe (optional)			
Installation	Horizontal	Horizontal	Horizontal

Concealed and Cased



Feature	Concealed FCU	Cased FCU
Cooling capacity range (nominal)	1.9–7.8 kW	1.9–7.8 kW
Heating capacity range (nominal)	2.1–8.4 kW	2.1–8.4 kW
Fan motor type	3-step AC	3-step AC
Drain Pump	Optional	Optional
Filter	Polypropylene washable	Polypropylene washable
3-Way Valve	Built-in	Built-in
2-pipe	●	●
4-pipe (optional)	●	●
Installation	Horizontal/vertical	Horizontal/vertical

# Nomenclature

## Indoor units

AG 072 M N 4 P K H  
1 2 3 4 5 6 7 8

1	Classification	AG	Chiller/Fan Coil Unit (FCU)
2	Capacity	x1/10 kW (3 digits)	
3	Version	K	2016
		M	2017
		N	2018
		T	2020
4	Product Type	N	Indoor Unit
5	Product Notation	1	WindFree™ 1-Way Cassette
		4	4-Way Cassette, 360 Cassette
6	Feature	D	Deluxe
		P	Premium
7	Voltage Rating	K	1Φ, 220-240 V, 50/60 Hz
8	Mode	H	Heat Pump

## Indoor units (third party)

ACL 65 D F  
1 2 3 4

1	Classification	ACL	Chiller/Fan Coil Unit (FCU)
2	Capacity	x1/10 kW (3 digits)	
3	Product Notation	D	2-Pipe FCU
		Q	4-Pipe FCU
		A	Accessory
4	Product Type	F	Concealed
		G	Cased

## Outdoor units

AG 070 K S V A N H  
1 2 3 4 5 6 7 8

1	Classification	AG	Chiller (HVM Chiller)
2	Capacity	kW (3 digits)	
3	Version	K	2016
		M	2017
		N	2018
4	Product Type	S	SETHVM Chiller
5	Product Notation	V	Inverter
6	Feature	A	Non-pump
7	Voltage Rating	N	3Φ, 380-415 V, 50/60 Hz
8	Mode	H	Heat Pump

# Specifications



## HVM Chiller

- Air-cooled HVM Chiller Heat Pump.
- Option of connecting up to 16 modules for a total capacity of more than 1 MW.
- Capacity modulation between 15% and 100%.
- Each unit houses 2 Inverter Scroll compressors, all equipped with Flash Injection technology.



Model		AG042KSVANH/EU	AG056KSVANH/EU	AG070KSVANH/EU		
Power Supply	Φ, #, V, Hz	3Φ, 4, 380-415 V, 50/60 Hz	3Φ, 4, 380-415 V, 50/60 Hz	3Φ, 4, 380-415 V, 50/60 Hz		
Performance	Capacity (Nominal)	Cooling kW	42	56	65	
		Heating kW	42.0	56.0	69.5	
Power	Power Input (Nominal)	Cooling kW	12.35	18.67	26.00	
		Heating kW	11.83	17.50	24.39	
	Current Input (Nominal)	Cooling A	19.6	29.6	41.2	
		Heating A	18.8	27.8	38.7	
	Current	MCA A	32	46	58	
		MFA A	40	60	75	
Efficiency	EER Nominal Cooling (pump input is not included)	W/W	3.4	3.0	2.5	
	COP Nominal Heating (pump input is not included)	W/W	3.55	3.20	2.85	
	ESEER (Pump input is not included)	W/W	5.7	5.4	5.0	
Fan	Type	-	Axial Fan	Axial Fan	Axial Fan	
	Number of Fans	-	2	2	2	
	Airflow Rate	m³/min	364 (182 x 2)	364 (182 x 2)	392 (196 x 2)	
	External Static Pressure	Max.	l/s	6,067	6,067	6,535
			mmAq	8.00	8.00	8.00
	Pa	78.5	78.5	78.5		
Fan Motor	Type	-	BLDC Motor	BLDC Motor	BLDC Motor	
	Output x n	W	630 x 2	630 x 2	630 x 2	
Water Side Heat Exchanger	Type	-	Brazing Plate	Brazing Plate	Brazing Plate	
	Water Flow Rate (Cooling/Heating)	l/min	120/120	160/160	186/200	
	Pressure Drop (Set. Nominal)	kPa	60	100	120	
	Max. Operating Pressure	MPa	1	1	1	
	Connection Type	-	FLANGE	FLANGE	FLANGE	
	Pipe Connection (Inlet/Outlet)	ø, mm	40	40	50	
	ø, inch	1 1/2	1 1/2	2		
	Quantity	-	2	2	2	
Wiring Connections	Communication	Min.	0.75	0.75	0.75	
	Remark		F1, F2	F1, F2	F1, F2	
Refrigerant	Type	-	R410A (Fluorinated greenhouse gas, GWP=2,088)			
	Factory Charging	kg/tCO <sub>2</sub> e	18/37.58	18/37.58	18/37.58	
Sound 2	Sound Pressure	Cooling	dB(A)	60	62	63
		Heating	dB(A)	57	59	64
	Sound Power	dB(A)	80	83	85	
External Dimensions	Net Weight	kg	446.0	446.0	465.0	
	Net Dimensions (W x H x D)	mm	1,795 x 1,695 x 765	1,795 x 1,695 x 765	1,795 x 1,695 x 765	
Operating Water Temperature Range	Cooling	°C	5.0-25.0	5.0-25.0	5.0-25.0	
	Cooling (if using brine)	°C	-10.0-25.0	-10.0-25.0	-10.0-25.0	
	Heating	°C	25.0-55.0	25.0-55.0	25.0-55.0	
Operating Water Flow Range	Water Flow Rate	l/min	60-240	80-320	93-400	
	Minimum Water Storage in the System	L	294	392	490	
Operating Ambient Temperature Range	Cooling	°C	-15.0-48.0	-15.0-48.0	-15.0-48.0	
	Heating	°C	-25.0-43.0	-25.0-43.0	-25.0-43.0	

### Accessories

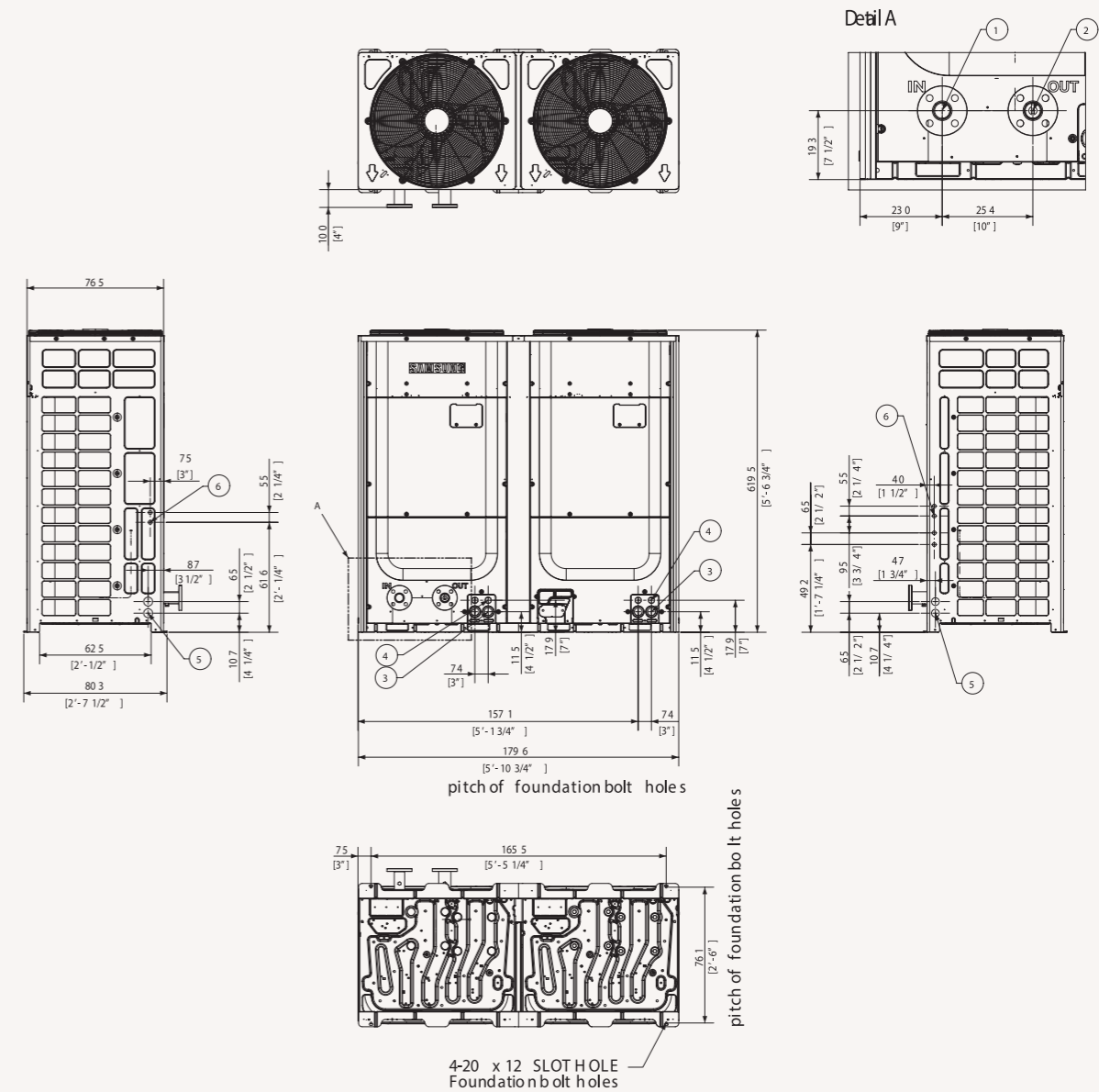


Module Controller	DMS2.5	BACnet Gateway	Touch Centralised Controller	On/Off controller	PIM Module (Pulse Interface Module)	LonWorks Gateway	External Contact Interface Module
MCM-A00N	MIM-D01AN	MIM-B17BN	MCM-A300N	MCM-A202DN	MIM-B16N	MIM-B18BN	MIM-B14

# Dimensional drawings

## HVM Chiller

AG042/056/070KSVANH/EU



NO	Name	Description
1	Inlet water flange	15/20 hp 40A Din Flange, 25 hp: 50A Din Flange
2	Outlet water flange	15/20 hp 40A Din Flange, 25 hp: 50A Din Flange
3	Power wiring conduits	Knock-out hole (front)
4	Communication wiring conduits	Knock-out hole (front)
5	Power wiring conduits	Knock-out hole (side)
6	Communication wiring conduits	Knock-out hole (side)

# Specifications

## WindFree™ 1-Way Cassette FCU

- One-way air supply by means of a 100 mm wide blade
- Cross-flow fan direct driven by a BLDC motor
- Built-in condensation drain pump
- Optional 3-Way valve kit
- Available in WindFree™ function
- Compatible with Wi-Fi Kit controller.



Model		AG026TN1DKH/EU	AG032TN1DKH/EU	AG042TN1DKH/EU		
Power Supply	Φ, V, Hz	1Φ, 220-240 V, 50/60 Hz	1Φ, 220-240 V, 50/60 Hz	1Φ, 220-240 V, 50/60 Hz		
Mode	-	HP	HP	HP		
Performance	Capacity (Nominal)	Cooling	kW	2.60	3.00	4.20
		Heating	kW	2.90	3.40	5.00
Power	Power Input (Nominal)	Cooling	W	27	35	55
		Heating	W	27	35	55
	Current Input (Nominal)	Cooling	A	0.14	0.19	0.29
		Heating	A	0.14	0.19	0.29
Heat Exchanger	Type	-	Fin & tube	Fin & tube	Fin & tube	
Fan	Type	-	Crossflow fan	Crossflow fan	Crossflow fan	
	Number of Fans	ea	1	1	1	
Fan Motor	Airflow Rate	H/M/L	m³/min	6.8/5.8/4.9	7.8/6.8/5.8	14.6/12.6/10.7
	Type	-	BLDC	BLDC	BLDC	
Water	Water Flow Rate	Cooling	L/min	27 x 1	27 x 1	65 x 1
		Heating	L/min	7.5	9.6	11.9
	Pressure Drop	Cooling	kPa	23.0	34.5	45.0
		Heating	kPa	28.0	35.8	64.6
Piping Connections	Liquid Pipe (IN)	Type	PF MALE	PF MALE	PF MALE	
		ø, mm (inch)	20A (3/4")	20A (3/4")	20A (3/4")	
	Liquid Pipe (OUT)	Type	PF MALE	PF MALE	PF MALE	
		ø, mm (inch)	20A (3/4")	20A (3/4")	20A (3/4")	
	Heat Insulation	-	Both inlet/outlet pipes	Both inlet/outlet pipes	Both inlet/outlet pipes	
	Drain Pipe	ø, mm	VP20 (OD 26, ID 20)	VP20 (OD 26, ID 20)	VP25 (OD 32, ID 25)	
Sound	Sound Pressure <sup>1</sup>	(H/M/L)	dB(A)	33/31/29	38/35/31	40/37/33
	Sound Power	Cooling	dB(A)	50	53	59
Dimensions	Net Weight	kg	10.1	10.1	14.0	
	Net Dimensions (W × H × D)	mm	970 × 135 × 410	970 × 135 × 410	1,200 × 138 × 450	
Casing	Material	-	Plastic	Plastic	Plastic	
Panel	Panel Model	-	PC1NWFMBN(WindFree™)	PC1NWFMBN(WindFree™)	PC1BWFMBN(WindFree™)	
Additional Accessories	Drain Pump	Type	Built-in	Built-in	Built-in	
	3-Way Valve Kit (optional)	Max. Lifting Height/Displacement	mm/(cc/min)	750/400	750/400	750/400
		Filter	-	ACL-A60V3	ACL-A60V3	ACL-A60V3

### Accessories

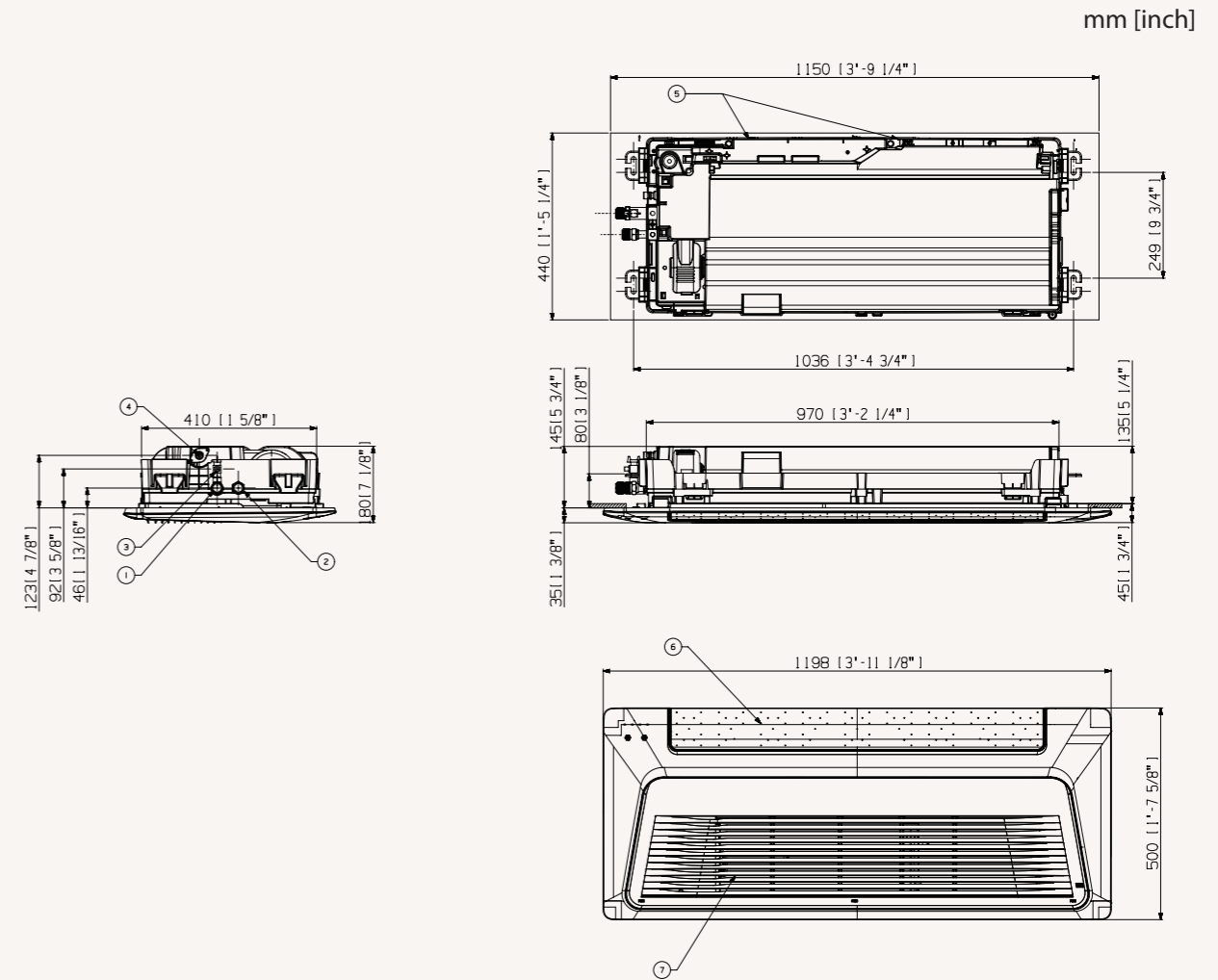


Cooling: Indoor temperature 27 °C DB, 19 °C WB/Water In/Out temperature 7 °C, 12 °C Heating: Indoor temperature 20 °C DB, 15 °C WB/Water In/Out temperature 45 °C, 40 °C. Sound level was acquired in an anechoic room. Thus actual noise level may be different depending on the installation conditions. Specifications may be subject to change without prior notice. Select wire size based on the Minimum Circuit Ampacity (MCA) value.

# Dimensional drawings

## WindFree™ 1-Way Cassette FCU

AG026/032TN1DKH/EUa

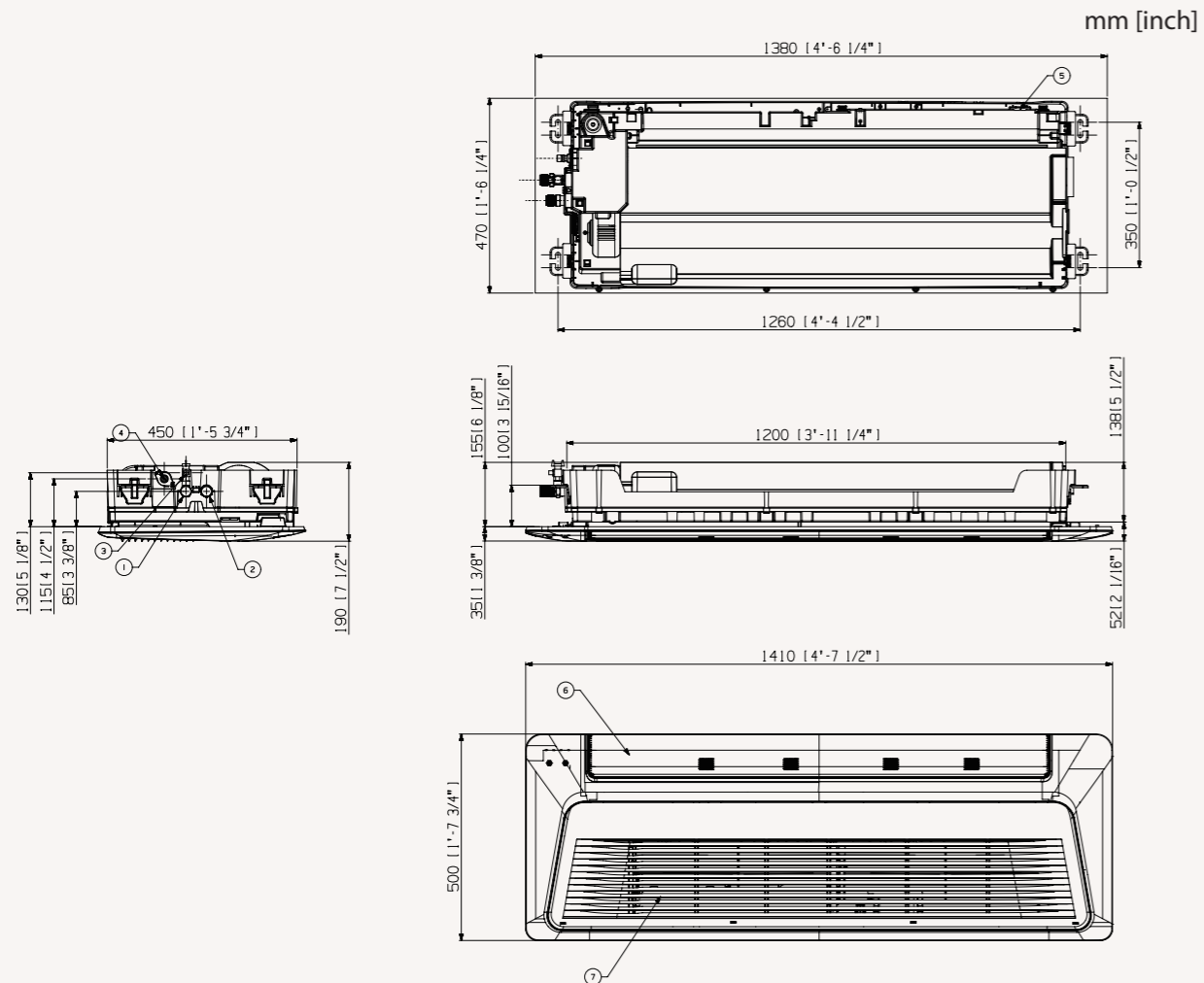


NO	Name	Description
1	Water pipe connection out	PF Male 3/4" (20A)
2	Water pipe connection in	PF Male 3/4" (20A)
3	Air vent valve	
4	Drain hose	VP20 (OD 26, ID 20)
5	Power supply/communication wiring conduits	
6	Air discharge part	
7	Air suction part	

# Dimensional drawings

## WindFree™ 1-Way Cassette FCU

AG042TN1DKH/EU



NO	Name	Description
1	Water pipe connection out	PF Male 3/4" (20A)
2	Water pipe connection in	PF Male 3/4" (20A)
3	Air vent valve	
4	Drain hose	VP25 (OD 32, ID 25)
5	Power supply/communication wiring conduits	
6	Air discharge part	
7	Air suction part	





# Specifications

## 4-Way Cassette FCU

- Four-way air supply via independently adjustable blades.
- Direct drive fan powered by a BLDC motor.
- Built-in condensation drain pump.
- Optional 3-Way valve kit.
- Compatible with Wi-Fi Kit controller.
- Optional SPI Kit



Model			AG060MN4DKH/EU	AG072MN4DKH/EU	AG090MN4DKH/EU	AG105MN4DKH/EU	
<b>Power Supply</b>	<b>Φ, V, Hz</b>		1Φ, 220-240 V, 50/60 Hz	1Φ, 220-240 V, 50/60 Hz	1Φ, 220-240 V, 50/60 Hz	1Φ, 220-240 V, 50/60 Hz	
<b>Mode</b>			HP	HP	HP	HP	
<b>Performance</b>	<b>Capacity (Nominal)</b>	<b>Cooling</b>	<b>kW</b>	6.0	7.2	9.0	10.0
		<b>Heating</b>	<b>kW</b>	7.3	8.5	10.0	10.7
<b>Power</b>	<b>Power Input (Nominal)</b>	<b>Cooling</b>	<b>W</b>	50	73	82	99
		<b>Heating</b>	<b>W</b>	50	73	82	99
	<b>Current Input (Nominal)</b>	<b>Cooling</b>	<b>A</b>	0.37	0.50	0.58	0.79
		<b>Heating</b>	<b>A</b>	0.37	0.5	0.58	0.79
<b>Fan</b>	<b>Type</b>		Fin & tube	Fin & tube	Fin & tube	Fin & tube	
	<b>Type</b>		Turbo Fan	Turbo Fan	Turbo Fan	Turbo Fan	
	<b>Number of Fans</b>		1	1	1	1	
	<b>Airflow Rate</b>	<b>H/M/L</b>	<b>m<sup>3</sup>/min</b>	18.9/16.5/13.6	21.3/18.2/13.6	23.3/21.3/19.4	30.1/26.2/19.4
<b>Fan Motor</b>	<b>Type</b>		BLDC	BLDC	BLDC	BLDC	
	<b>Output x n</b>		65 x 1	65 x 1	65 x 1	97 x 1	
<b>Water</b>	<b>Water Flow Rate</b>	<b>Cooling</b>	<b>l/min</b>	17.5	20.8	26.0	28.9
	<b>Water Flow Rate</b>	<b>Heating</b>	<b>l/min</b>	21.1	24.5	28.9	30.9
	<b>Pressure Drop</b>	<b>Cooling</b>	<b>kPa</b>	27.0	36.0	46.8	56.3
	<b>Pressure Drop</b>	<b>Heating</b>	<b>kPa</b>	37.3	48.6	56.3	63.4
<b>Piping Connections</b>	<b>Liquid Pipe (IN)</b>	<b>Type</b>	PF MALE	PF MALE	PF MALE	PF MALE	
		<b>ø, mm (inch)</b>	20A (3/4)	20A (3/4)	20A (3/4)	20A (3/4)	
	<b>Liquid Pipe (OUT)</b>	<b>Type</b>	PF MALE	PF MALE	PF MALE	PF MALE	
		<b>ø, mm (inch)</b>	20A (3/4)	20A (3/4)	20A (3/4)	20A (3/4)	
	<b>Heat Insulation</b>		Both inlet/outlet pipes	Both inlet/outlet pipes	Both inlet/outlet pipes	Both inlet/outlet pipes	
	<b>Drain Pipe</b>	<b>ø, mm</b>	VP25 (OD 32, ID 25)	VP25 (OD 32, ID 25)	VP25 (OD 32, ID 25)	VP25 (OD 32, ID 25)	
<b>Sound</b>	<b>Sound Pressure</b>	<b>(H/M/L)</b>	<b>dB(A)</b>	37/33/30	41/35/30	42/38/35	45/40/35
	<b>Sound Power</b>	<b>Cooling</b>	<b>dB(A)</b>	56	60	58	60
<b>Dimensions</b>	<b>Net Weight</b>		<b>kg</b>	15.5	15.5	18.0	18.0
	<b>Net Dimensions (W x H x D)</b>		<b>mm</b>	840 x 204 x 840	840 x 204 x 840	840 x 246 x 840	840 x 246 x 840
<b>Panel</b>	<b>Panel Model</b>			PC4NUSKAN PC4NUSKEN	PC4NUSKAN PC4NUSKEN	PC4NUSKAN PC4NUSKEN	PC4NUSKAN PC4NUSKEN
<b>Additional Accessories</b>	<b>Drain Pump</b>	<b>Type</b>		Built-in	Built-in	Built-in	Built-in
		<b>Max. Lifting Height/Displacement</b>	<b>mm/(cc/min)</b>	750/400	750/400	750/400	750/400
	<b>3-Way Valve Kit (optional)</b>			ACL-A60V3	ACL-A60V3	ACL-A60V3	ACL-A60V3
	<b>Filter</b>			Microfibrous filter	Microfibrous filter	Microfibrous filter	Microfibrous filter

### Accessories



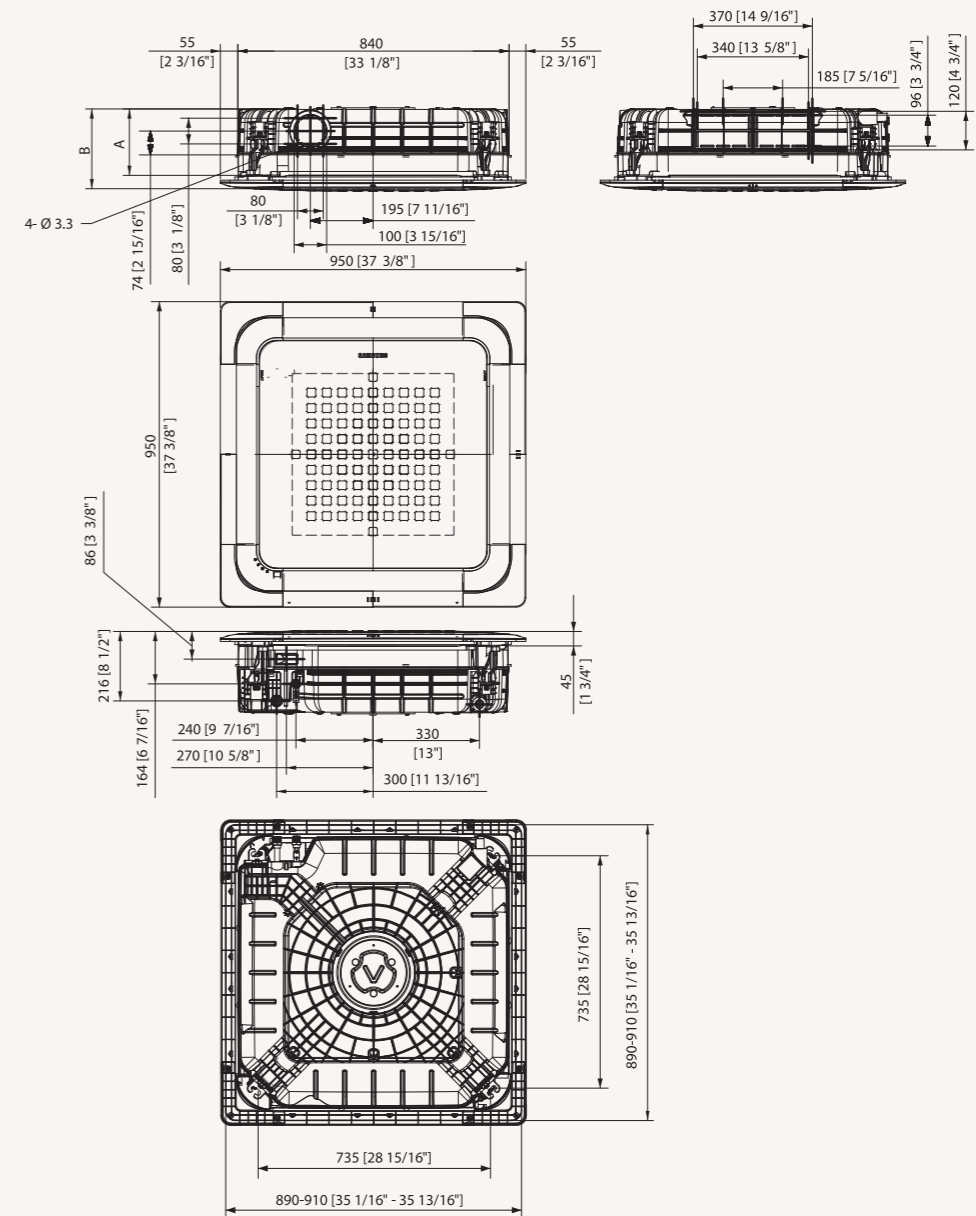
Panel 4-W Waffle (Optional)	Panel 4-W Classic (Optional)	FCU Interface Module	Wireless Remote Controller	Simple Type Controller	Touch Controller	Wired Remote Controller	SPI Kit (optional)
PC4NUSKAN	PC4NUSKEN	MIM-F10N	AR-EH03E	MWR-SH00N	MWR-SH11N	MWR-WG00*N	MSD-CAN1

Cooling: Indoor temperature 27 °C DB, 19 °C WB/Water In/Out temperature 7 °C, 12 °C Heating: Indoor temperature 20 °C DB, 15 °C WB/Water In/Out temperature 45 °C, 40 °C.  
 Sound level was acquired in an anechoic room. Thus actual noise level may be different depending on the installation conditions.  
 Specifications may be subject to change without prior notice.  
 Select wire size based on the Minimum Circuit Ampacity (MCA) value.

# Dimensional drawings

## 4-Way Cassette FCU

AG060/072/090/105MN4DKH/EU



Pos.	Name	Description
<b>Model</b>	AG060MN4DKH/EU	AG090MN4DKH/EU
	AG072MN4DKH/EU	AG105MN4DKH/EU
	204 [8 1/16]	246 [9 11/16]
<b>A</b>	253 [9 15/16]	295 [11 5/8]
<b>A</b>	205	289
<b>Pipe connection</b>		PF 3/4 Male
<b>Drain pipe connection</b>		VP25 (OD 32, ID 25)

# Specifications

## 360 Cassette FCU

- 360 degree air supply.
- Bladeless discharge. Booster fans can be individually controlled, allowing for completely horizontal flow discharge. Coandă effect is created even without ceiling.
- 3-Way valve kit (optional)
- Compatible with Wi-Fi Kit controller.

- Built-in condensation drain pump.
- Predisposition of the air inlet to let fresh air in.
- Circular or square cassette panel.
- Optional SPI Kit.
- Optional Motion Detect Sensor



Model			AG060MN4PKH/EU	AG072MN4PKH/EU	AG090MN4PKH/EU	AG105MN4PKH/EU	
Power Supply	Φ, V, Hz		1Φ, 220-240 V, 50/60 Hz	1Φ, 220-240 V, 50/60 Hz	1Φ, 220-240 V, 50/60 Hz	1Φ, 220-240 V, 50/60 Hz	
Mode			HP	HP	HP	HP	
Performance	Capacity (Nominal)	Cooling	kW	6.0	7.2	9.0	10.0
		Heating	kW	7.3	8.5	10.0	10.7
Power	Power Input (Nominal)	Cooling	W	58	58	77	100
		Heating	W	58	58	77	100
	Current Input (Nominal)	Cooling	A	0.50	0.50	0.62	0.79
		Heating	A	0.50	0.50	0.62	0.79
Heat Exchanger	Type		Fin & tube	Fin & tube	Fin & tube	Fin & tube	
Fan	Type		Turbo Fan	Turbo Fan	Turbo Fan	Turbo Fan	
	Number of Fans	ea	1	1	1	1	
Fan Motor	Airflow Rate	H/M/L	m <sup>3</sup> /min	21.0/17.5/15.0	25.5/22.0/19.8	29.5/24.0/19.8	31.5/22.5/19.8
	Type			BLDC	BLDC	BLDC	BLDC
Water	Water Flow Rate	Cooling	l/min	17.5	20.8	26.0	28.9
		Heating	l/min	21.1	24.5	28.9	30.9
	Pressure Drop	Cooling	kPa	27.0	26.0	38.5	47.4
		Heating	kPa	37.6	35.6	47.4	53.2
Piping Connections	Liquid Pipe (IN)	Type		PF MALE	PF MALE	PF MALE	PF MALE
		ø, mm (inch)		20A (3/4)	20A (3/4)	20A (3/4)	20A (3/4)
	Liquid Pipe (OUT)	Type		PF MALE	PF MALE	PF MALE	PF MALE
		ø, mm (inch)		20A (3/4)	20A (3/4)	20A (3/4)	20A (3/4)
Heat Insulation			Both inlet/outlet pipes	Both inlet/outlet pipes	Both inlet/outlet pipes	Both inlet/outlet pipes	
Drain Pipe	ø, mm		VP25 (OD 32, ID 25)	VP25 (OD 32, ID 25)	VP25 (OD 32, ID 25)	VP25 (OD 32, ID 25)	
Sound	Sound Pressure	(H/M/L)	dB(A)	40/37/32	39/35/33	43/38/33	45/39/33
	Sound Power	Cooling	dB(A)	57	58	60	62
Dimensions	Net Weight		kg	21.0	25.0	25.0	25.0
	Net Dimensions (W x H x D)		mm	947 x 281 x 947	947 x 365 x 947	947 x 365 x 947	947 x 365 x 947
Casing	Material		-	-	-	-	
Panel	Panel Model	White		PC4NUDMAN	PC4NUDMAN	PC4NUDMAN	PC4NUDMAN
				PC4NUNMAN	PC4NUNMAN	PC4NUNMAN	PC4NUNMAN
	Black			PC4NBDMAN	PC4NBDMAN	PC4NBDMAN	PC4NBDMAN
				PC4NBNMAN	PC4NBNMAN	PC4NBNMAN	PC4NBNMAN
Additional Accessories	Drain Pump	Type		Built-in	Built-in	Built-in	Built-in
		Max. Lifting Height/ Displacement	mm/(cc/min)	750/400	750/400	750/400	750/400
		3-Way Valve Kit	(optional)	ACL-A60V3	ACL-A60V3	ACL-A60V3	ACL-A60V3
Filter				Microfibrous filter	Microfibrous filter	Microfibrous filter	Microfibrous filter

### Accessories



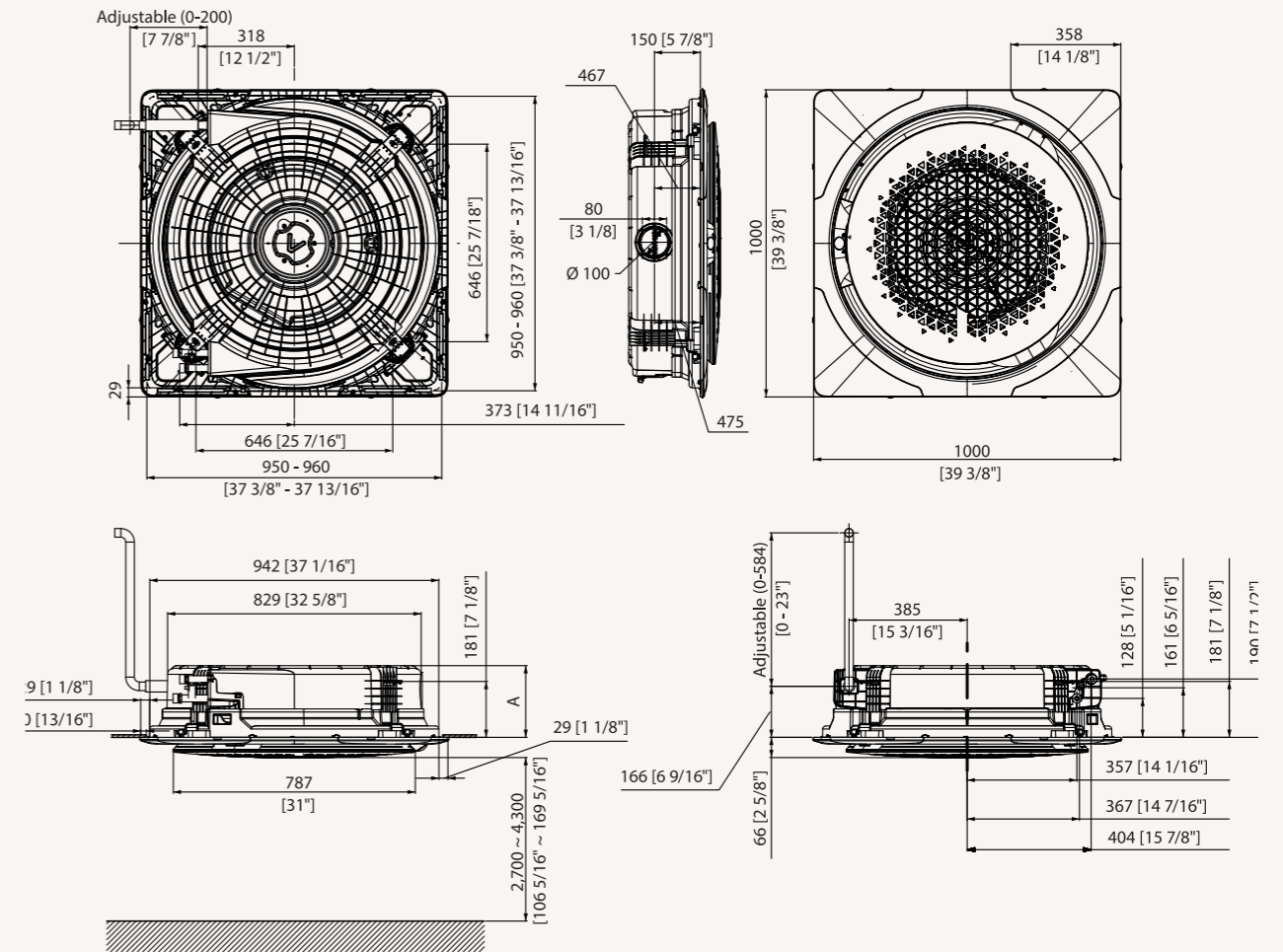
Panel (Optional)	Panel (Optional)	Panel (Optional)	Panel (Optional)	FCU Interface Module	Wireless Remote Controller	Touch Controller	Wired Remote Controller	Simple Type Controller	SPI Kit (optional)	Motion Detect Sensor
PC4NBDMAN	PC4NBNMAN	PC4NUDMAN	PC4NUNMAN	MIM-F10N	AR-EH03E	MWR-SH11N	MWR-WG00*N	MWR-SH00N	MSD-CAN1	MCR-SME

Cooling: Indoor temperature 27 °C DB, 19 °C WB/Water In/Out temperature 7 °C, 12 °C Heating: Indoor temperature 20 °C DB, 15 °C WB/Water In/Out temperature 45 °C, 40 °C.  
 Sound level was acquired in an anechoic room. Thus actual noise level may be different depending on the installation conditions.  
 Specifications may be subject to change without prior notice.  
 Select wire size based on the Minimum Circuit Ampacity (MCA) value.

# Dimensional drawings

## 360 Cassette FCU

AG060/072/090/105MN4PKH/EU

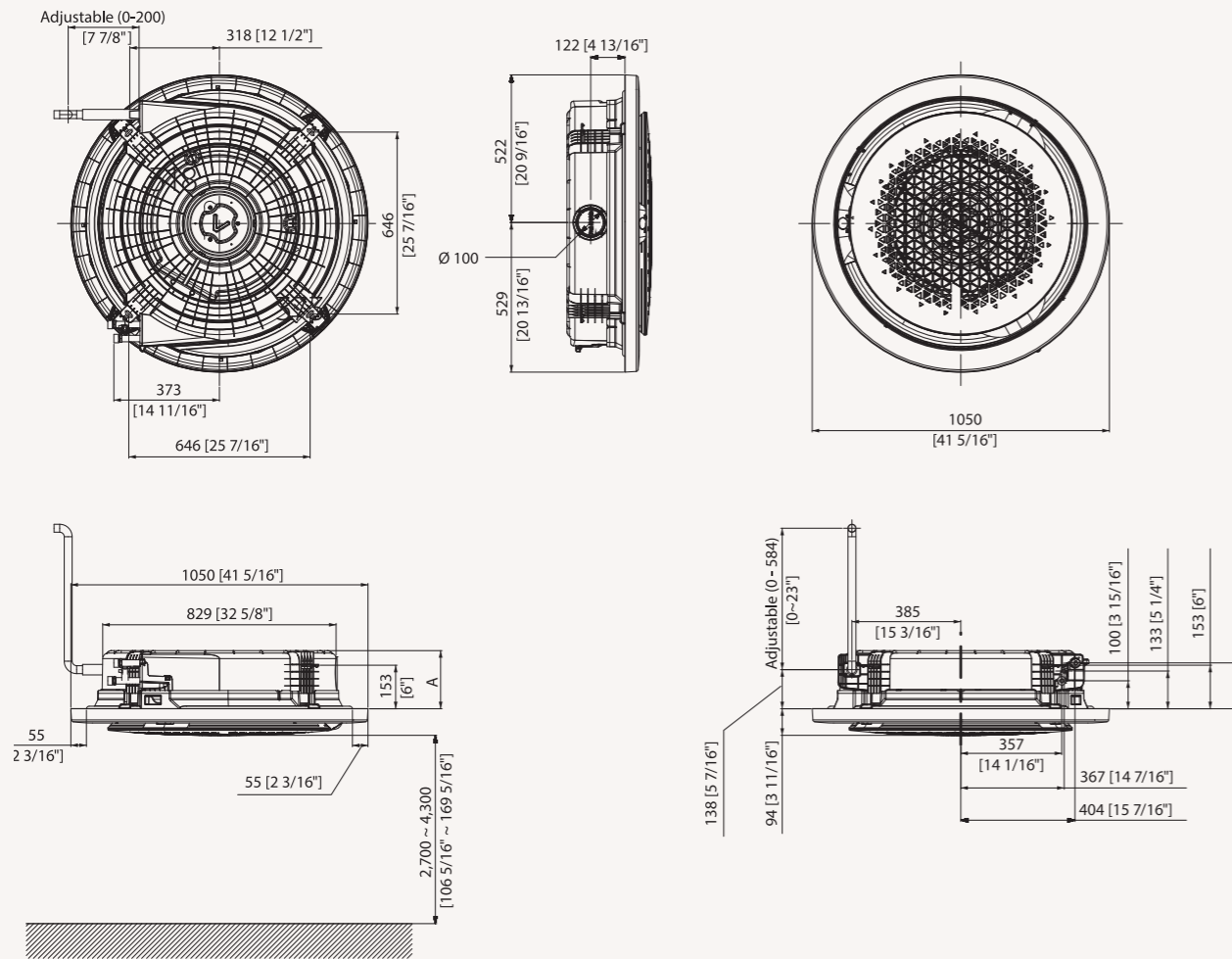


Pos.	A Type	B Type
Model	AG060MN4PKH/EU	AG072MN4PKH/EU AG090MN4PKH/EU AG105MN4PKH/EU
A	233 [9 3/16"]	317 [12 1/2"]
Pipe connection	PF 3/4 Male	
Drain pipe connection		VP25 (OD 32, ID 25)

# Dimensional drawings

## 360 Cassette FCU

AG060/072/090/105MN4PKH/EU



Pos.	A Type	B Type
Model	AG060MN4PKH/EU	AG072MN4PKH/EU AG090MN4PKH/EU AG105MN4PKH/EU
A	205	289
Pipe connection		PF 3/4 Male
Drain pipe connection		VP25 (OD 32, ID 25)



# Specifications

## Concealed FCU

- Plug & play solution in combination with HVM Chiller.
- Optional vertical or horizontal installation
- 3-Way valve kit included as standard.
- FCU kit included as standard.
- Optional drain pipe.
- Optional heating coil 4-pipe.
- Optional 3-way valve kit 4-pipe.
- Auxiliary Drain Pan vertical/horizontal



Model			ACL-18DF	ACL-25DF	ACL-35DF	
Power Supply	Φ, V, Hz		1Φ, 220-240 V, 50/60 Hz	1Φ, 220-240 V, 50/60 Hz	1Φ, 220-240 V, 50/60 Hz	
Mode			HP	HP	HP	
Performance	Capacity (Nominal)	Cooling (H/M/L)	kW	1.91/1.66/1.34	2.87/2.34/1.73	4.24/3.20/2.47
		Heating (H/M/L)	kW	2.15/1.81/1.50	2.91/2.35/1.73	4.24/3.24/2.47
Power	Power Input (Nominal)	Cooling (H/M/L)	W	53/36/24	56/43/29	90/50/40
		Heating (H/M/L)	W	53/36/24	56/43/29	90/50/40
	Current Input (Nominal)	Cooling	A	0.26	0.28	0.45
		Heating	A	0.26	0.28	0.45
Heat Exchanger	Type		-	Fin & tube	Fin & tube	Fin & tube
Fan	Type		-	Double suction centrifugal fan	Double suction centrifugal fan	Double suction centrifugal fan
	Number of Fans		ea	2	2	2
	Airflow Rate	H/M/L	m <sup>3</sup> /min	5.7/4.5/3.5	7.6/5.7/4.0	11.7/8.3/6.0
Fan Motor	Type		-	3-step AC	3-step AC	3-step AC
	Output x n		W	53/36/24	56/43/29	90/50/40
Water	Water Flow Rate	Cooling	l/min	5.6	8.4	12.4
		Heating	l/min	6.2	8.4	12.4
	Pressure Drop	Cooling	kPa	17	24	35
		Heating	kPa	20	24	35
Piping Connections	Liquid Pipe (IN)	Type	-	Female	Female	Female
		Dimension	ø, mm (inch)	1/2	1/2	1/2
	Liquid Pipe (OUT)	Type	-	Female	Female	Female
		Dimension	ø, mm (inch)	1/2	1/2	1/2
	Heat Insulation		-	-	-	-
	Drain Pipe		ø, mm	-	-	-
Sound	Sound Pressure (H/M/L)		dB(A)	42/36/32	40/34/28	45/35/27
	Sound Power (H/M/L)		dB(A)	50/44/40	48/42/36	53/43/35
Dimensions	Net Weight		kg	18.0	23.0	27.0
	Net Dimensions (W × H × D)		mm	725 × 224 × 535	935 × 224 × 535	1,145 × 224 × 535
Casing	Material		-	-	-	
Panel	Panel Model		-	-	-	
Additional Accessories	Drain Pump	Type	optional	ACL-ADP	ACL-ADP	ACL-ADP
		Max. Lifting Height/Displacement	mm/(cc/min)	750/133	750/133	750/133
	Heating Coil	4-pipe	optional	ACL-A018HC	ACL-A025HC	ACL-A035HC
	3-Way Valve	4-pipe	optional	ACL-A018V3	ACL-A018V3	ACL-A018V3
	Auxiliary Drain Pan	Vertical	optional	ACL-ADV	ACL-ADV	ACL-ADV
		Horizontal	optional	ACL-ADH	ACL-ADH	ACL-ADH
	Filter		-	Polypropylene washable	Polypropylene washable	Polypropylene washable

ACL-55DF	ACL-65DF
1Φ, 220-240 V, 50/60 Hz	1Φ, 220-240 V, 50/60 Hz
HP	HP
7.19/5.69/4.32	7.78/6.07/4.00
7.19/5.69/4.32	8.37/6.53/4.39
182/127/86	244/169/109
182/127/86	244/169/109
0.90	1.20
0.90	1.20
Fin & tube	Fin & tube
Double suction centrifugal fan	Double suction centrifugal fan
3	3
16.8/12.8/9.5	23.2/17.0/10.7
3-step AC	3-step AC
182/127/86	244/169/109
21.1	22.9
20.2	24.2
39	42
35	47
Female	Female
3/4	3/4
Female	Female
3/4	3/4
-	-
-	-
53/46/39	59/52/41
61/54/47	67/60/49
370	370
1,355 × 249 × 535	1,355 × 249 × 535
-	-
-	-
ACL-ADP	ACL-ADP
750/133	750/133
ACL-A055HC	ACL-A055HC
ACL-A055V3	ACL-A055V3
ACL-ADV	ACL-ADV
ACL-ADH	ACL-ADH
Polypropylene washable	Polypropylene washable

### Accessories



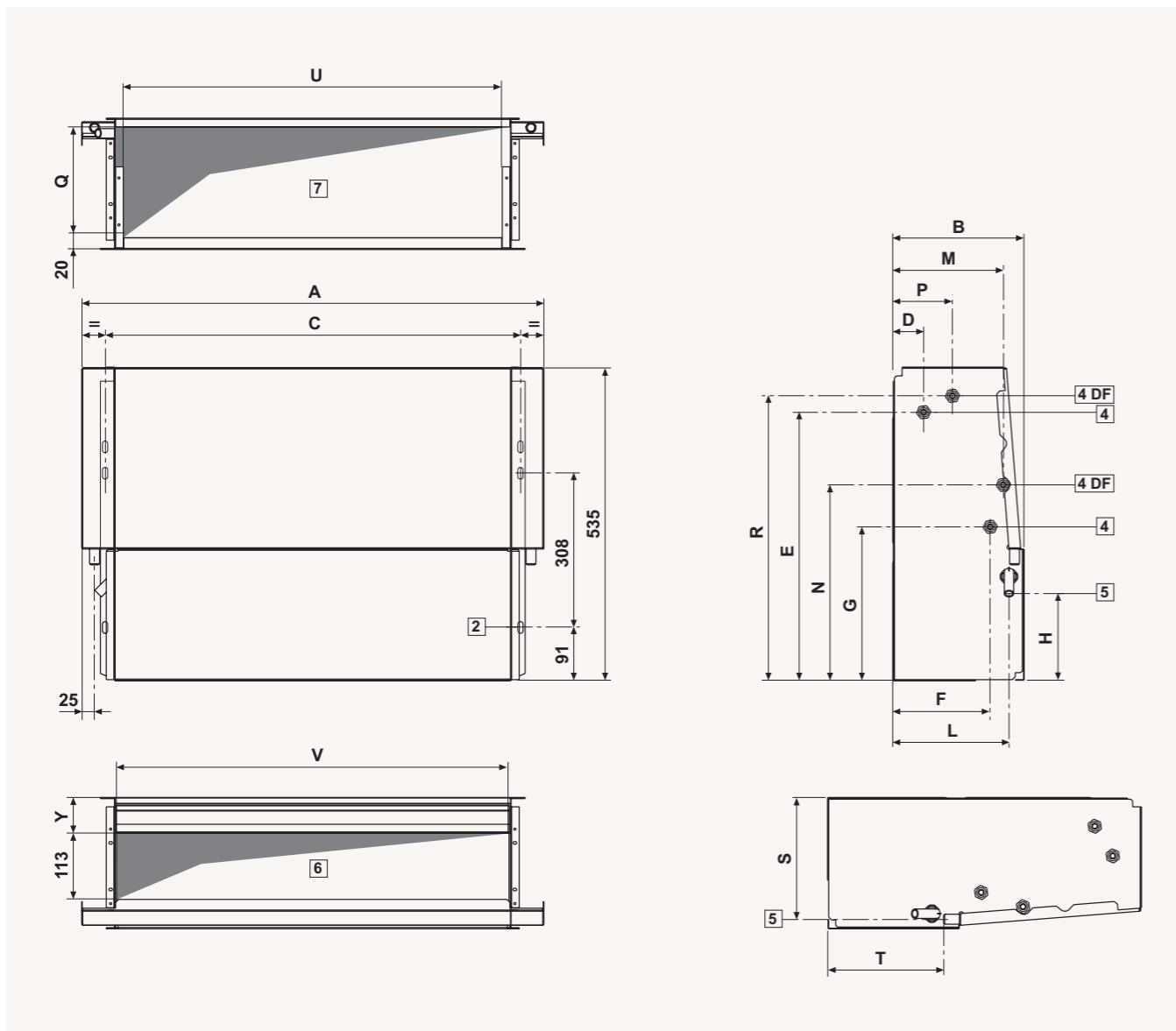
FCU Interface Module	FCU Kit	Touch Controller	Wired Remote Controller	Simple Type Controller
MIM-F10N	MIM-F00N	MWR-SH11N	MWR-WG00*N	MWR-SH00N

Cooling: Indoor temperature 27 °C DB, 19 °C WB/Water In/Out temperature 7 °C, 12 °C Heating: Indoor temperature 20 °C DB, 15 °C WB/Water In/Out temperature 45 °C, 40 °C.  
 Sound level was acquired in an anechoic room. Thus actual noise level may be different depending on the installation conditions.  
 Specifications may be subject to change without prior notice.  
 Select wire size based on the Minimum Circuit Ampacity (MCA) value.

# Dimensional drawings

## Concealed FCU

ACL-\*\*DF



NO	Name	Description
1	Water pipe connection out	PF Male 3/4 (20A)
2	Water pipe connection in	PF Male 3/4 (20A)
3	Air vent valve	
4	Drain hose	VP25 (OD 32, ID 25)
5	Power supply/communication wiring conduits	
6	Air discharge part	
7	Air suction part	

MODEL	A	B	C	H	L	S	T	Y
ACL-18DH	584	224	498	149	198	208	198	61
ACL-25DH	794	224	708	149	198	208	198	61
ACL-35DH	1004	224	918	149	198	208	198	61
ACL-55DH	1214	249	1128	155	220	234	208	67
ACL-65DH	1214	249	1128	155	220	234	208	67



# Specifications

## Cased FCU

- Plug & play solution in combination with HVM Chiller.
- Optional vertical or horizontal installation
- 3-Way valve kit included as standard.
- FCU kit included as standard.
- Optional drain pipe.
- Optional heating coil 4-pipe.
- Optional 3-Way valve kit 4-pipe.
- Auxiliary Drain Pan vertical/horizontal



Model				ACL-18DG	ACL-25DG	ACL-35DG	
Power Supply	Φ, V, Hz			1Φ, 220-240 V, 50/60 Hz	1Φ, 220-240 V, 50/60 Hz	1Φ, 220-240 V, 50/60 Hz	
Mode				HP	HP	HP	
Performance	Capacity (Nominal)	Cooling (H/M/L)	kW	1.91/1.66/1.34	2.87/2.34/1.73	4.24/3.20/2.47	
		Heating (H/M/L)	kW	2.15/1.81/1.50	2.91/2.35/1.73	4.24/3.24/2.47	
Power	Power Input (Nominal)	Cooling (H/M/L)	W	53/36/24	56/43/29	90/50/40	
		Heating (H/M/L)	W	53/36/24	56/43/29	90/50/40	
	Current Input (Nominal)	Cooling	A	0.26	0.28	0.45	
		Heating	A	0.26	0.28	0.45	
Heat Exchanger	Type	-			Fin & tube	Fin & tube	
Fan	Type	-			Double suction centrifugal fan	Double suction centrifugal fan	
	Number of Fans	-			2	2	
	Airflow Rate	H/M/L	m <sup>3</sup> /min	5.7/4.5/3.5	7.6/5.7/4.0	11.7/8.3/6.0	
Fan Motor	Type	-			3-step AC	3-step AC	
	Output x n	-			53/36/24	56/43/29	
Water	Water Flow Rate	Cooling	l/min	5.6	8.4	12.4	
		Heating	l/min	6.2	8.4	12.4	
	Pressure Drop	Cooling	kPa	17	24	35	
		Heating	kPa	20	24	35	
Piping Connections	Liquid Pipe (IN)	Type	-			Female	Female
		Dimension	ø, mm (inch)	1/2	1/2	1/2	
	Liquid Pipe (OUT)	Type	-			Female	Female
		Dimension	ø, mm (inch)	1/2	1/2	1/2	
Heat Insulation	-			-	-		
Drain Pipe	-			-	-		
Sound	Sound Pressure	(H/M/L)	dB(A)	42/36/32	40/34/28	45/35/27	
	Sound Power	(H/M/L)	dB(A)	50/44/40	48/42/36	53/43/35	
Dimensions	Net Weight	-			22.0	35.0	
	Net Dimensions (W x H x D)	-			774x564x226	984x564x226	
Casing	Material	-			-	-	
Panel	Panel Model	-			-	-	
Additional Accessories	Drain Pump	Type	optional	ACL-ADP	ACL-ADP	ACL-ADP	
		Max. Lifting Height/Displacement	mm / (cc/min)	750/133	750/133	750/133	
	Heating Coil	4-pipe	optional	ACL-A018HC	ACL-A025HC	ACL-A035HC	
	3-Way Valve	4-pipe	optional	ACL-A018V3	ACL-A018V3	ACL-A018V3	
	Auxiliary Drain Pan	Vertical	optional	ACL-ADV	ACL-ADV	ACL-ADV	
	Auxiliary Drain Pan	Horizontal	optional	ACL-ADH	ACL-ADH	ACL-ADH	
	Filter	-			Polypropylene washable	Polypropylene washable	

ACL-55DG	ACL-65DG
1Φ, 220-240 V, 50/60 Hz	1Φ, 220-240 V, 50/60 Hz
HP	HP
7.19/5.69/4.32	7.78/6.07/4.00
7.19/5.69/4.32	8.37/6.53/4.39
182/127/86	244/169/109
182/127/86	244/169/109
0.90	1.20
0.90	1.20
Fin & tube	Fin & tube
Double suction centrifugal fan	Double suction centrifugal fan
3	3
16.8/12.8/9.5	23.2/17.0/10.7
3-step AC	3-step AC
182/127/86	244/169/109
21.1	22.9
20.2	24.2
39	42
35	47
Female	Female
3/4	3/4
Female	Female
3/4	3/4
-	-
-	-
53/46/39	59/52/41
61/54/47	67/60/49
45.0	45.0
1,404x564x251	1,404x564x251
-	-
-	-
ACL-ADP	ACL-ADP
750/133	750/133
ACL-A055HC	ACL-A055HC
ACL-A055V3	ACL-A055V3
ACL-ADV	ACL-ADV
ACL-ADH	ACL-ADH
Polypropylene washable	Polypropylene washable

### Accessories



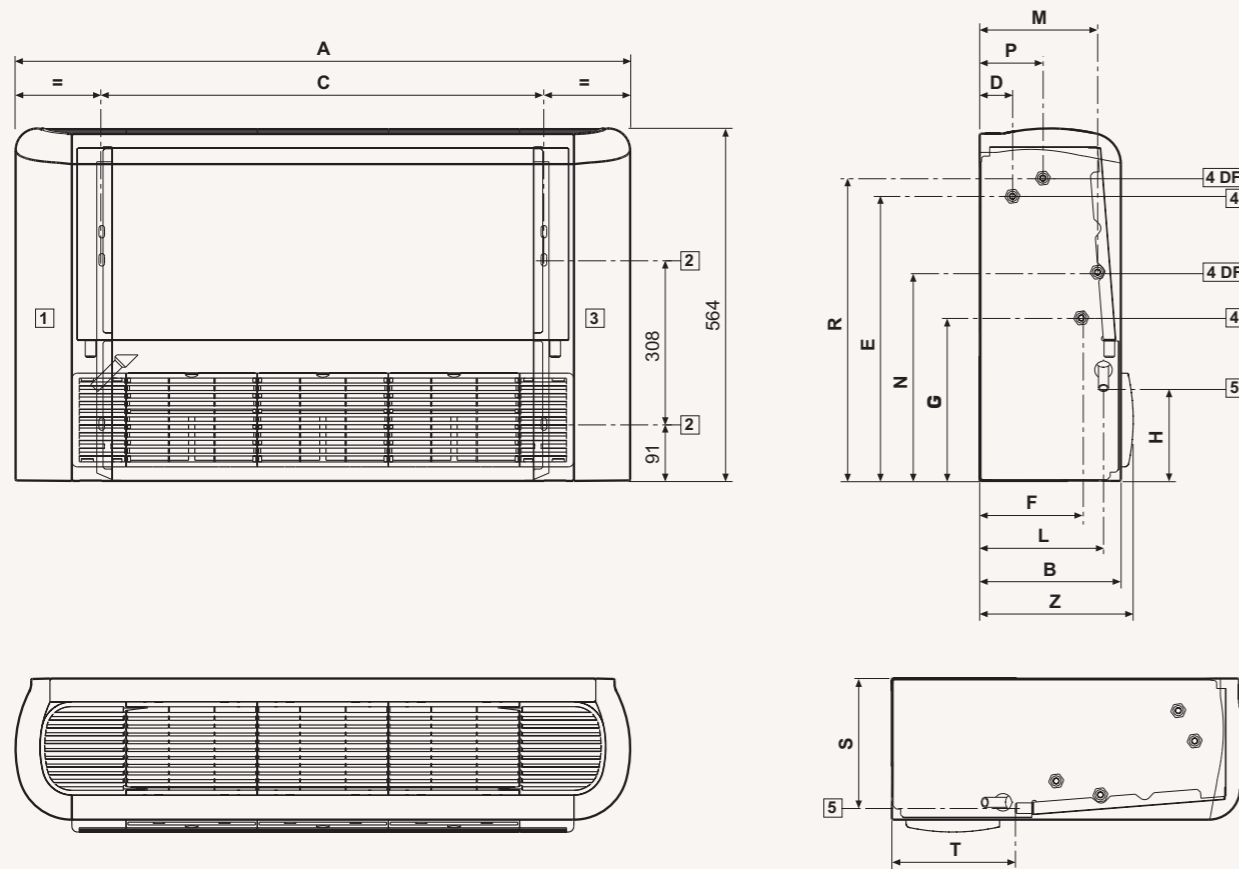
FCU Interface Module	FCU Kit	Touch Controller	Wired Remote Controller	Simple Type Controller
MIM-F10N	MIM-F00N	MWR-SH11N	MWR-WG00*N	MWR-SH00N

Cooling: Indoor temperature 27 °C DB, 19 °C WB/Water In/Out temperature 7 °C, 12 °C Heating: Indoor temperature 20 °C DB, 15 °C WB/Water In/Out temperature 45 °C, 40 °C.  
 Sound level was acquired in an anechoic room. Thus actual noise level may be different depending on the installation conditions.  
 Specifications may be subject to change without prior notice.  
 Select wire size based on the Minimum Circuit Ampacity (MCA) value.

# Dimensional drawings

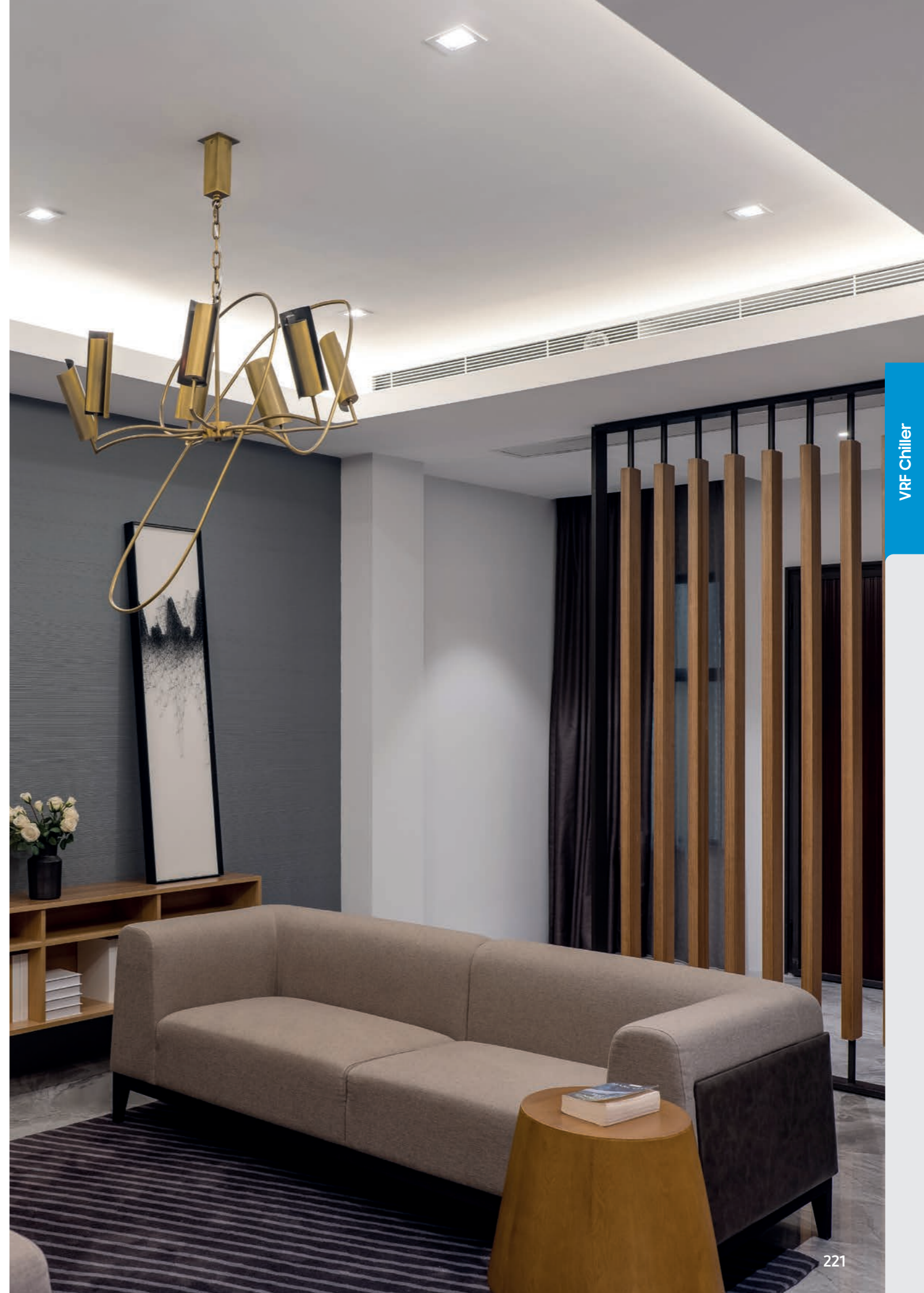
## Cased FCU

ACL-\*\*DG



NO	Name	Description
1	Water pipe connection out	PF Male 3/4 (20A)
2	Water pipe connection in	PF Male 3/4 (20A)
3	Air vent valve	
4	Drain hose	VP25 (OD 32, ID 25)
5	Power supply/communication wiring conduits	
6	Air discharge part	
7	Air suction part	

MODEL	A	B	C	H	L	S	T	Z
ACL-18DG	774	226	498	149	198	208	198	246
ACL-25DG	984	226	708	149	198	208	198	246
ACL-35DG	1194	226	918	149	198	208	198	246
ACL-55DG	1404	251	1128	155	220	234	208	271
ACL-65DG	1404	251	1128	155	220	234	208	271



# Ventilation



Interior design  
OFFICE №55



# Specifications

## ERV

- Energy recovery ventilation unit.
- Cellulose heat exchanger element.
- High Efficiency (F7 class) air filter.
- Optional CO2 sensor for automatic regulation.
- Bypass operation mode when there's a small temperature difference between indoor and outdoor environment (automatically or manually operated).
- Interlocking with DVM S indoor units.
- Frost formation prevention without electric heater.
- Optional SPI Kit.



Model			AN026JSKLN/EU	AN035JSKLN/EU	AN050JSKLN/EU	AN080JSKLN/EU	AN100JSKLN/EU	
Power Supply		Ø, #, V, Hz	10, 2, 220-240 V, 50/60 Hz	10, 2, 220-240 V, 50/60 Hz	10, 2, 220-240 V, 50/60 Hz	10, 2, 220-240 V, 50/60 Hz	10, 2, 220-240 V, 50/60 Hz	
Performance	Air Volume	m³/h	260	350	500	800	1,000	
	Temperature Exchange Efficiency	Cooling Turbo/High/Low	%	70/70/74	70/70/74	70/70/74	70/70/74	70/70/74
		Heating Turbo/High/Low	%	74/74/75	78/78/79	74/74/75	77/77/78	74/74/75
	Effective Enthalpy Exchange Efficiency	Cooling Turbo/High/Low	%	50/50/55	50/50/55	50/50/55	50/50/55	50/50/55
Heating Turbo/High/Low		%	70/70/76	70/70/76	70/70/76	70/70/76	70/70/76	
Power	Power Input	Turbo/High/Low	W	115/80/45	115/80/50	175/120/65	330/230/125	450/280/155
	Current Input	Turbo	A	0.7	0.7	1.1	2.1	2.9
Fan	Airflow Rate	Turbo/High/Low	m³/h	260/250/180	350/350/256	500/500/360	800/800/560	1,000/1,000/690
	External Static Pressure	Turbo/High/Low	Pa	100/65/55	155/100/83	165/100/85	155/90/80	155/90/75
Noise Level	Sound Pressure <sup>1</sup>	Turbo/High/Low/ Quiet	dB(A)	31/28/25/22	32/29/26/23	35/32/28/24	36/33/29/25	37/34/30/26
	Sound Power		dB(A)	-	-	-	-	-
Field Wiring	Power Source Wire		mm²	1.5-2.5	1.5-2.5	1.5-2.5	1.5-2.5	1.5-2.5
	Transmission Cable		mm²	0.75-1.50	0.75-1.50	0.75-1.50	0.75-1.50	0.75-1.50
Dimensions	Net Weight		kg	28.5	42.5	42.5	67.0	67.0
	Net Dimensions (W x H x D)		mm	600 x 350 x 660	1,012 x 270 x 1,000	1,012 x 270 x 1,000	1,2220 x 340 x 1,135	1,2220 x 340 x 1,135
	Supply/Return/Exhaust/Outside Duct Flange (ø)		mm	150	200	200	250	250

### Accessories



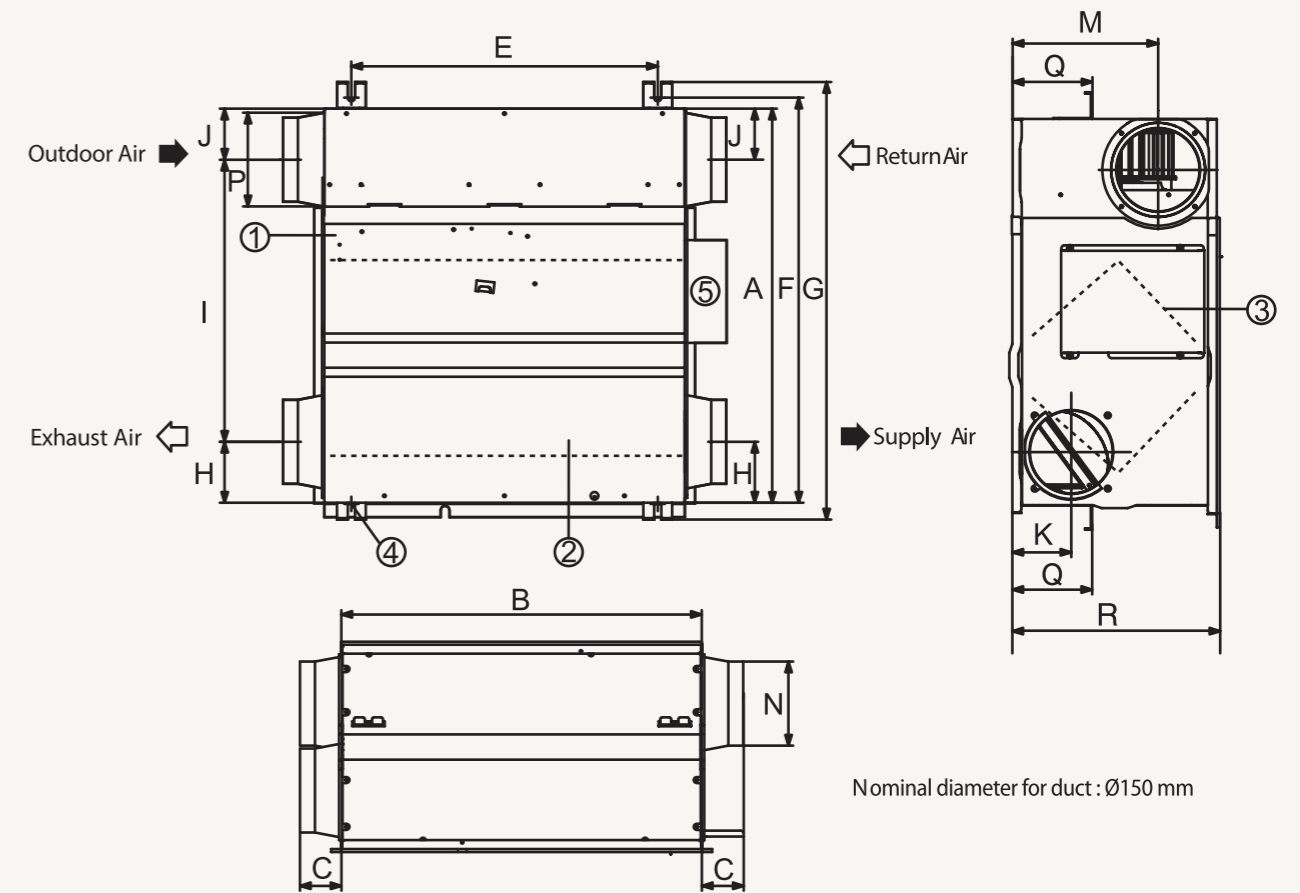
Differential pressure switch <sup>2</sup>	ERV Wired Remote Controller	Wired Remote Controller	CO <sub>2</sub> Sensor	SPI Kit
MOS-P1050	MWR-VH12N	MWR-WG00*N	MOS-C1	MSD-EANT

<sup>1</sup> Sound level was acquired in an anechoic room. Thus actual noise level may be different depending on the installation conditions.  
<sup>2</sup> Please order MOS-P1050 separately. Differential pressure switch (model code: MOS-P1050) is a mandatory accessory for all ERV and ERV Plus units in EU countries according to Ecodesign Directive 1253/2014.

# Dimensional drawings

## ERV

AN026JSKLN/EU



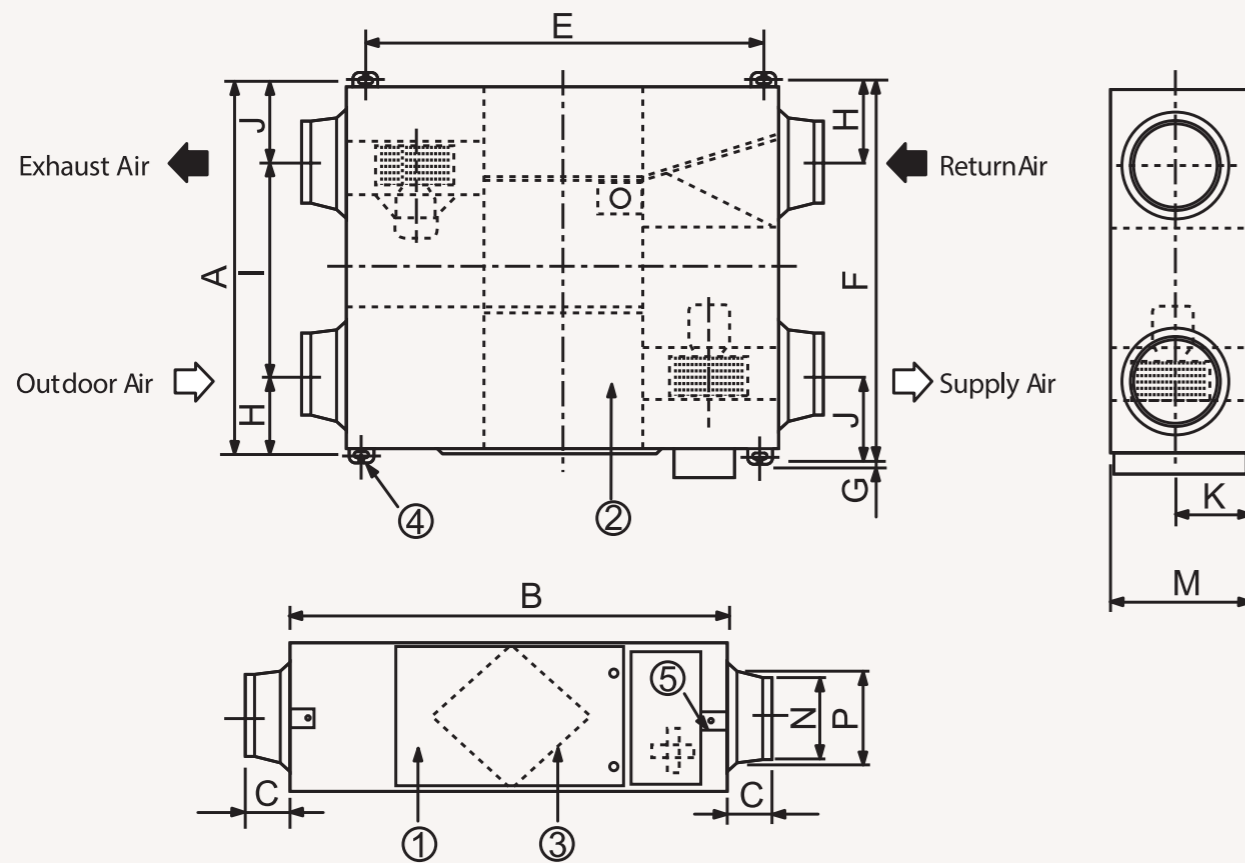
NO	Name	Description
1	Maintenance cover	1
2	Heat exchange element	1
3	Dust filter	2
4	Hanger	4
5	Electrical component box	1

Model	A	B	C	E	F	G	H	I	J	K	M	N	P	Q	R
	Length (mm)										Diameter (mm)		Length (mm)		
026	600	660	70	510	675	729	102	470	85	98	242	140	156	133	350

# Dimensional drawings

ERV

035/050 - 080/100



NO	Name	Description
1	Maintenance cover	1
2	Heat exchange element	2
3	Dust filter	4
4	Hanger	4
5	Electrical component box	1

Model	Nominal diameter for duct (mm)
035/050	200
080/100	250

Model	Length (mm)										Diameter (mm)		Length (mm)		
	A	B	C	E	F	G	H	I	J	K	M	N	P	Q	R
035/050	1,000.00	1,012.00	99.00	940.60	1,036.40	26.00	130.00	617.00	253.00	135.00	270.00	194.00	241.50	133.00	350.00
080/100	1,135.00	1,220.00	84.00	1,110.00	1,183.00	25.00	184.00	613.25	387.75	170.00	340.00	244.00	270.00		



# Specifications

## ERV Plus for DVM S

- Energy recovery ventilation unit with built-in direct expansion coil.
- Cellulose heat exchanger element.
- High Efficiency (F7 class) air filter.
- Two centrifugal fans direct driven by electric BLDC motor.
- Optional CO<sub>2</sub> sensor for automatic regulation.
- Bypass operation mode when there's a small temperature difference between indoor and outdoor environment (automatically or manually operated).
- Frost formation prevention without electric heater.
- Auto Restart function.
- Optional SPI Kit.



Model		AM050FNKDEH/EU	AM100FNKDEH/EU
Power Supply	Φ, #, V, Hz	1Φ, 2, 220-240 V, 50 Hz	1Φ, 2, 220-240 V, 50 Hz
Performance	Temp. Exchange Efficiency	Cooling Turbo/High/Low %	70/70/74
	Heating Turbo/High/Low %	75/75/79	75/75/79
	Effective Enthalpy Exchange Efficiency	Cooling Turbo/High/Low %	60/60/66
	Heating Turbo/High/Low %	73/73/79	75/75/81
Outside Air Processing Capacity	Cooling (DX Coil/Element)	-	5.1 (3.6/1.5)
	Heating (DX Coil/Element)	-	6.5 (4.0/2.5)
Fan	Airflow Rate	Turbo/High/Low (UL) m <sub>v</sub> /hr	500/500/360
		l/s	138.9/138.9/100.0
	External Static Pressure	Turbo/High/Low mmAq	16.30/10.20/8.70
		Pa	160.00/100.00/85.00
Motor	Type	-	BLDC
	Output W	-	60
	Quantity ea	-	2
Power	Power Input W	Turbo/High/Low	220/140/90
	Current Input A	Turbo/High/Low	1.7/1.0/0.6
Piping Connections	Liquid Pipe	ø, mm	6.35
		ø, inch	1/4
	Gas Pipe	ø, mm	12.70
		ø, inch	1/2
	Drain Pipe	ø, mm	VP25 (OD 32, ID 25)
		ø, inch	VP25 (OD 1-1/4", ID 1")
Water Supply	ø, mm	12.70	
	ø, inch	1/2	
Field Wiring	Power Source Wire	mm <sup>2</sup>	1.5/2.5
	Transmission Cable	mm <sup>2</sup>	0.75-1.50
Refrigerant	Type	-	R410A (Fluorinated greenhouse gas, GWP=2,088)
	Control Method	-	EEV
Sound	Sound Pressure <sup>1</sup>	Turbo/High/Low dB(A)	36/32/28
	Sound Power dB(A)		67
Dimensions	Net Weight	kg	61.0
	Net Dimensions (W x H x D)	mm	1,553 x 270 x 1,000
	Supply/Return/Exhaust/Outside Duct Flange (ø)	mm	200
Air Filter		-	High Efficiency Filter (PP)
Ambient Conditions	Around Unit	-	0-40 °C DB, 80 % RH or less
	Outdoor Air	-	-15-40 °C DB, 80 % RH or less
	Return Air	-	0-40 °C DB, 80 % RH or less

### Accessories



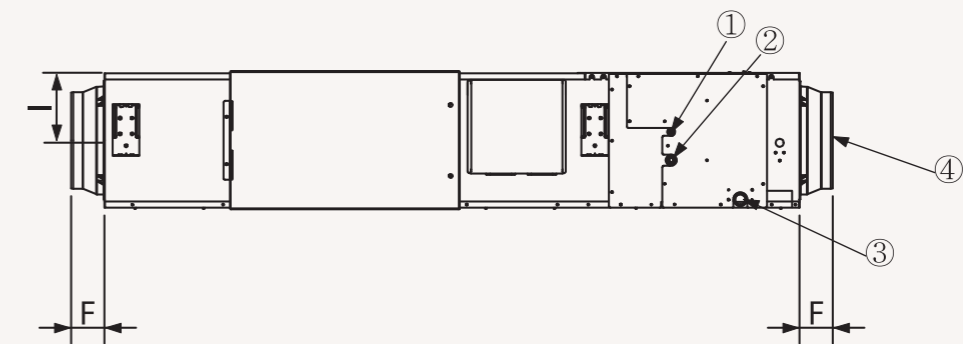
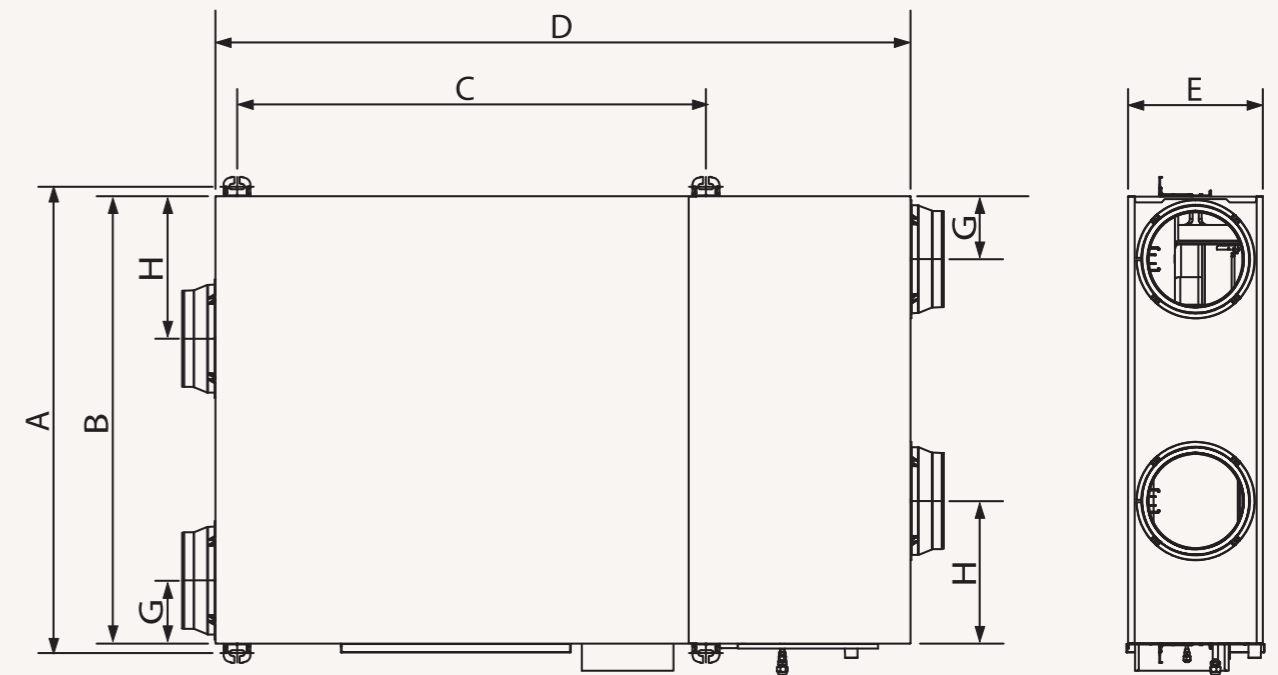
Differential pressure switch <sup>2</sup>	Wired Remote Controller	CO <sub>2</sub> Sensor	SPI Kit
MOS-P1050	MWR-WG00*N	MOS-C1	MSD-EAN1

<sup>1</sup>Sound level was acquired in an anechoic room. Thus actual noise level may be different depending on the installation conditions.  
<sup>2</sup>Please order MOS-P1050 separately. Differential pressure switch (model code: MOS-Pa) is a mandatory accessory for all ERV and ERV Plus units in EU countries according to Ecodesign Directive 1253/2014.

# Dimensional drawings

## ERV Plus for DVM S

AM\*\*\*FNKDEH/EU



NO	Name	Description	
		AM050FNKDEH	AM100FNKDEH
1	Liquid pipe connection	ø6.35 Flare	
2	Gas pipe connection	ø12.70 Flare	
3	Drain pipe connection	VP25 (OD 32, ID 25)	
4	Nominal diameter for duct	ø200	ø250

Model	A	B	C	D	E	F	G	H	I
RHF050KHEA	1,036	1,000	987	1,553	270	99	130	253	135
RHF100KHEA	1,183	1,135	1,189	1,763	340	84	160	362	170

# Specifications

## OAP Duct for DVM S

- 100% Fresh Air unit.
- Equipped with two Sirocco fans direct driven by a single motor.
- Discharge temperature control.
- No limitation in OAP Duct quantity for one system.
- Auto ESP function: the fan speed is adjustable according to ductwork external static pressure.
- Can be combined with other DVM indoor units to form one system.



Model				AM140MNEPEH/EU	AM220MNEPEH/EU	AM280MNEPEH/EU	
Power Supply		Φ, #, V, Hz		1Φ, 2, 220-240 V, 50 Hz	1Φ, 2, 220-240 V, 50 Hz	1Φ, 2, 220-240 V, 50 Hz	
Performance	Capacity (Nominal)	Cooling	kW	14.0	22.4	28.0	
		Heating	kW	8.9	13.9	17.4	
Power	Power Input (Nominal)	Cooling	W	300	450	600	
		Heating	W	300	450	600	
	Current Input (Nominal)	Cooling	A	2.2	3.5	4.6	
		Heating	A	2.2	3.5	4.6	
Heat Exchanger	Type			Fin & tube	Fin & tube	Fin & tube	
	Material	Fin		Al	Al	Al	
		Tube			Cu	Cu	Cu
Fan	Motor	Type		Sirocco Fan	Sirocco Fan	Sirocco Fan	
	Output x n	W		183 x 1	630 x 1	630 x 1	
		Number of Fans	ea		2	2	2
	Airflow Rate	H/M/L	m <sup>3</sup> /min		18	28	35
			l/s		300.0	466.7	583.3
	External Pressure	Min/Std/Max	mmAq		15.30/20.40/25.50	18.40/23.40/29.60	20.40/25.50/30.60
		Pa		150.00/200.00/250.00	180.00/230.00/290.00	200.00/250.00/300.00	
Piping Connections	Liquid Pipe	ø, mm		9.52	9.52	9.52	
		ø, inch		3/8	3/8	3/8	
	Gas Pipe	ø, mm		15.88	19.05	22.22	
		ø, inch		5/8	3/4	7/8	
	Drain Pipe	ø, mm		VP25 (OD 32, ID 25)	VP25 (OD 32, ID 25)	VP25 (OD 32, ID 25)	
Field Wiring	Transmission Cable	Min.	mm <sup>2</sup>	0.75	0.75	0.75	
Refrigerant	Type			R410A (Fluorinated greenhouse gas, GWP=2,088)			
	Control Method			EEV (INCLUDED)	EEV (INCLUDED)	EEV (INCLUDED)	
Noise Level	Sound Pressure <sup>1</sup>	H/M/L	dB(A)	42	46	47	
	Sound Power	Cooling	dB(A)	65	66	69	
Dimensions	Net Weight		kg	49.0	81.5	81.5	
	Net Dimensions (W x H x D)		mm	1 210 x 370 x 656	1,360 x 460 x 910	1,360 x 460 x 910	
Additional Accessories	Drain Pump	Drain Pump		MDP-M075SGU2D	MDP-G075SP	MDP-G075SP	
		Max. Lifting Height/Displacement	mm / litres/h	750/24	750/24	750/24	
	Air Filter			Removable/ Washable	Removable/ Washable	Removable/ Washable	

### Accessories



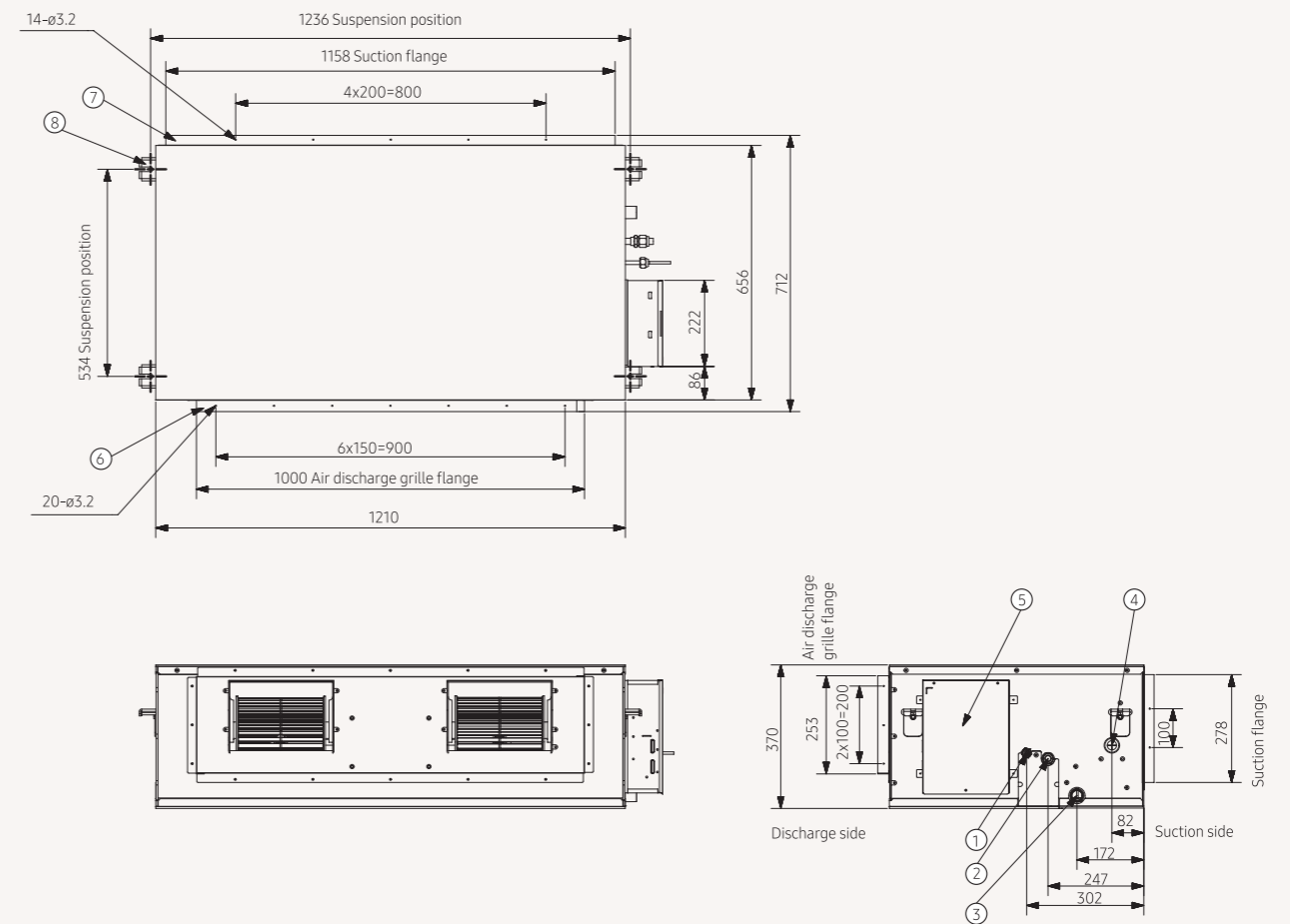
Wireless Remote Controller	Touch Controller	Wired Remote Controller	Wi-Fi Kit	Wireless Receiver Kit	External Room Sensor
AR-EH03E (to be matched with MRK-A10N)	MWR-SH11N	MWR-WG00*N	MIM-H04EN	MRK-A10N (to be matched with AR-EH03E)	MRW-TA

<sup>1</sup> Sound level was acquired in an anechoic room. Thus actual noise level may be different depending on the installation conditions.

# Dimensional drawings

## OAP Duct for DVM S

AM140MNEP#H

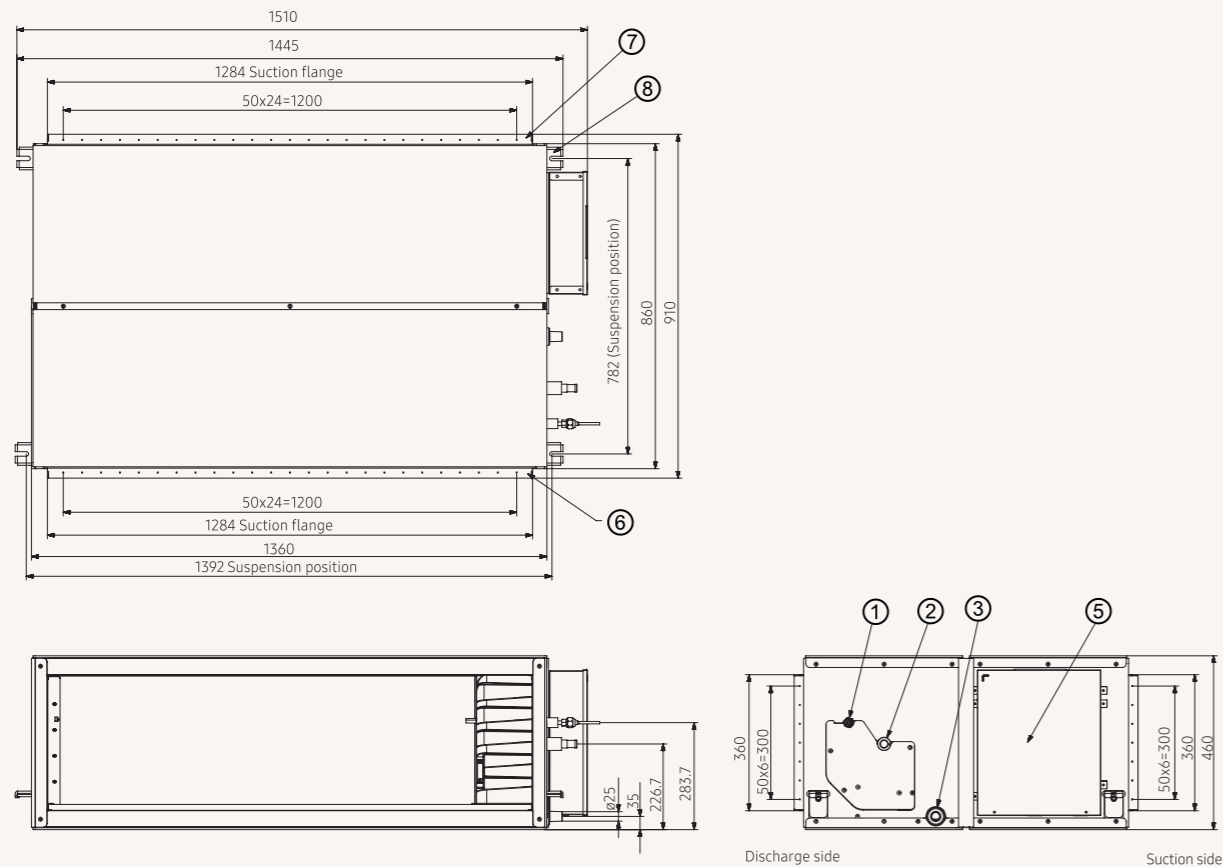


NO	Name	Description
1	Diameter of liquid pipe	ø9.52
2	Diameter of air pipe	ø15.88
3	Diameter of drain pipe	OD ø25, ID ø20
4	Diameter of drain pipe (Optional drain pump)	OD ø25, ID ø20
5	Power supply/Communication wiring conduit	
6	Air discharge grille flange	
7	Suction flange	
8	Hook	ø9.52 or M10

# Dimensional drawings

## OAP Duct for DVM S

AM140MNEP\*H



NO	Name	Description
1	Diameter of liquid pipe	ø9.52
2	Diameter of air pipe	ø15.88
3	Diameter of drain pipe	OD ø25, ID ø20
4	Diameter of drain pipe (Optional drain pump)	OD ø25, ID ø20
5	Power supply/Communication wiring conduit	
6	Air discharge grille flange	
7	Suction flange	
8	Hook	ø9.52 or M10
























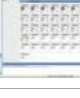



# Controls



# Line-up

	Product	Model	Image	Matchable Products
Individual Control System	Wireless Remote Controller	AR-EH03M AR-EH03E		FJM, CAC, DVM, FCU *only for FCU1-Way/4-Way Cassette
	Wireless Remote Controller	AR-KH03E		CAC, DVM, FCU *only for 360 Cassette
	Wired Remote Controller	MWR-WG00*N		FJM, CAC, DVM, ERV, FCU
		MWR-WW00N, MWR-WW10*N		DVM *only for Hydro unit
	Simple Type Controller	MWR-SH00N		CAC, DVM, FCU
	Touch Type Controller	MWR-SH11N		CAC, DVM, FCU (with WindFree™ function)
	ERV Wired Remote Controller	MWR-VH12N		ERV
	Wireless Receiver Kit	MRK-A10N		CAC, DVM *only for duct models
Centralised Control System	ON/OFF Controller	MCM-A202DN		FJM, CAC, DVM, ERV Plus, HVM Chiller
	Touch Centralised Controller	MCM-A300N		FJM, CAC, DVM, ERV Plus, HVM Chiller
	Wi-Fi Kit	MIM-H04EN		All (except HVM Chiller & 3rd party FCU)
	Module Controller	MCM-A00N		HVM Chiller

	Product	Model	Image	Matchable Products
Gateway System	BACnet Gateway	MIM-B17BN		FJM, CAC, DVM, ERV Plus, HVM Chiller
	LonWorks Gateway	MIM-B18BN		FJM, CAC, DVM, ERV Plus, HVM Chiller
	External Contact Interface Module	MIM-B14 (KEY TAG) MIM-B14A (LEAK DETECTION)		RAC, FJM, CAC, DVM, HVM Chiller
		PIM (Pulse Interface Module)	MIM-B16N	
	MODBUS Gateway	MIM-B19N		FJM, CAC, DVM, ERV Plus, HVM Chiller
	Interface Module (Converter RS485 to NASA)	MIM-N01		FJM, CAC
	ERV Interface Module (Converter RS485 to NASA)	MIM-N10		ERV
	FCU Kit	MIM-F00N		Concealed & Cased FCU
	FCU Interface Module	MIM-F10N		FCU
	Installation/ Test Run Solution	S-Converter	MIM-C02N	
Others	External Room Sensor	MRW-TA		FJM, CAC, DVM
	Operation Mode Selection Switch	MCM-C200		
	MTFC (Multi-Tenant Function Controller)	MCM-C210N		
Integrated Management System	DMS2.5	MIM-D01AN		FJM, CAC, DVM, ERV Plus, HVM Chiller
	S-NET3	MST-P3P		
	b.IoT	MST-BL1A		






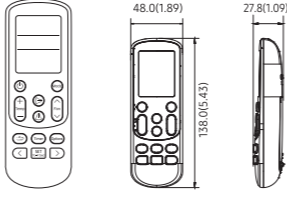

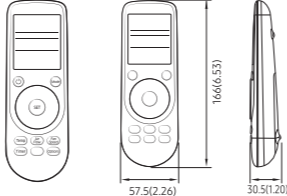

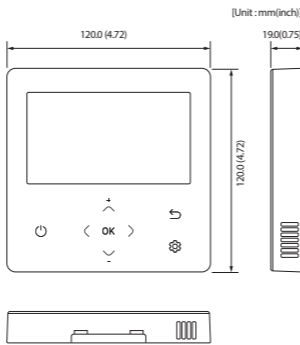

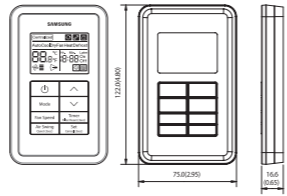
# Selection guide


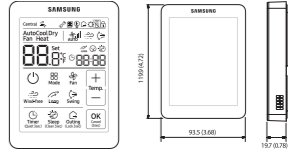

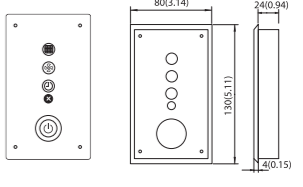



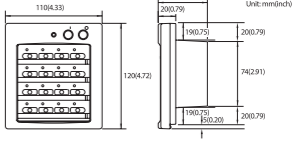

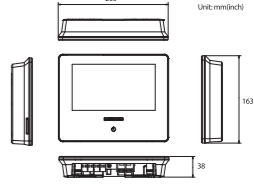


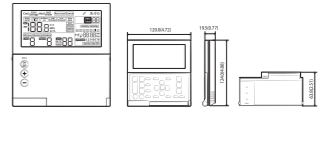
Model		MWR-WG00*N	MWR-SH00N	MWR-SH11N	MWR-VH12N
Appearance	Dimensions	120.0 x 120.0 x 19.0	75x122x16.6	94.2 x 122.0 x 19.5	75.0 x 122.0 x 16.6
Connection	Indoor units control	●	●	●	
	ERV control	●			●
	Maximum connectable indoor units	16	16	16	6
Control & monitoring	ON/OFF	●	●	●	●
	Operation mode	●	●	●	●
	Fan speed	●	●	●	●
	Air swing	●	●	●	
	Room temperature display	●			
	°C convertible	●		●	
	Filter cleaning alarm reset	●	●	●	
	Air quality display	●			
	Purification display	●			
	Display indoor model number	●			
	Error display	●	●	●	●
Schedule	Weekly schedule	●	-		
	Simple ON/OFF timer		●	●	●
Convenient function	Dual set point	●			
	Multiple languages	●			
	Built-in room sensor	●		●	
	LCD backlight	●		●	
	Wireless RC restriction	●	●		
	Child lock	●	●	●	●
	Partial button lock	●	●	●	●
	Quiet mode	●	●	●	
	Sleep mode	●		●	
	Away mode (SAC)	●		●	
	Away mode (ERV)				●
	IR receiver	●		●	
	Real-time clock				
	Daylight saving time	●			
	Individual blade control	●			
	CO <sub>2</sub> display	○ ERV			●
	Humidity display	○ ERV			
	Purification mode	○ ERV			
	Energy saving	Temperature range limit	●	●	●
Automatic operation stop		●			
Operation time limit		●			
Energy consumption monitoring		●			
Energy saving mode with ERV		●			
Maintenance	SD slot	●			




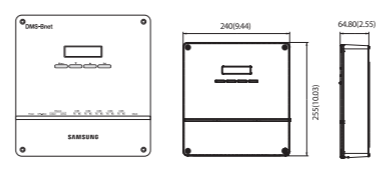

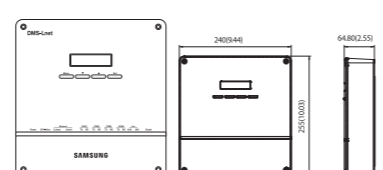

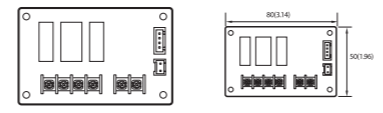

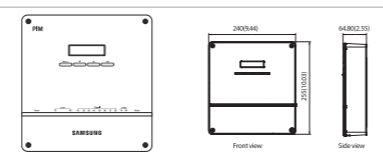
# Features and Dimensional drawings


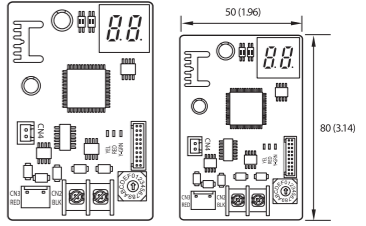

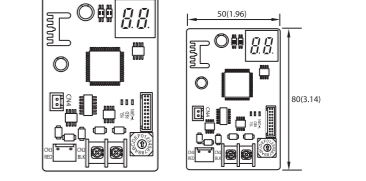

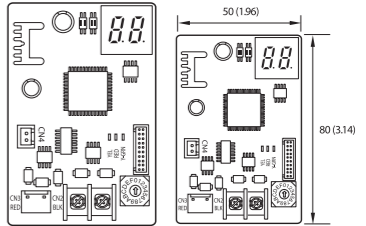

Individual Control System		
<b>Wireless Remote Controller AR-EH03E</b> <ul style="list-style-type: none"> <li>Operation ON/OFF control</li> <li>Fan speed control</li> <li>Operation temperature setting</li> <li>WindFree™ Cooling function</li> <li>Filter replacement alarm reset</li> <li>Air swing control</li> <li>Simple ON/OFF timer</li> <li>Indoor unit option code setting</li> <li>Option/Setting selection</li> </ul>	 	48.0(1.89) 27.8(1.09) 138.0(5.43)
<b>Wireless Remote Controller AR-KH03E</b> <ul style="list-style-type: none"> <li>360 Cassette airflow direction control</li> <li>Operation ON/OFF control</li> <li>Fan speed control</li> <li>Operation temperature setting</li> <li>Filter replacement alarm reset</li> <li>Simple ON/OFF timer</li> <li>Indoor unit option code setting</li> </ul>	 	166(6.53) 57.5(2.26) 30.5(1.20)
<b>Wired Remote Controller MWR-WG00*N</b> <p><b>Air conditioner/ERV control</b></p> <ul style="list-style-type: none"> <li>AC control: ON/OFF, operation mode, temperature setting, fan speed, airflow direction</li> <li>ERV control: ON/OFF, operation mode, fan speed</li> <li>AC/ERV error monitoring</li> <li>Filter cleaning alert and reset alert time</li> <li>Control a maximum of 16 "Indoor unit + ERV" in a group with a single wired controller</li> </ul> <p><b>Energy saving operation</b></p> <ul style="list-style-type: none"> <li>Upper/lower temperature limit setting</li> <li>Automatically stops operating when not used for certain period of time as set by user</li> </ul> <p><b>Weekly operation schedule setting</b></p> <ul style="list-style-type: none"> <li>Weekly operating schedule (A/C only, ERV only, A/C+ERV)</li> <li>Set desired AC operation mode, temperature and fan speed to operate based on a weekly schedule</li> <li>Apply schedule exception day</li> <li>Energy consumption monitoring</li> <li>Operation time limit</li> </ul> <p><b>User convenience function</b></p> <ul style="list-style-type: none"> <li>Child lock</li> <li>Different button permission levels</li> <li>Room temperature display</li> <li>Dual set point</li> <li>Built-in room temperature sensor</li> <li>Real-time clock: displays current time and day (summer time support)</li> <li>Multiple language support</li> <li>Service mode support</li> <li>Indoor unit cycle data monitoring</li> <li>Indoor unit option code setting and monitoring</li> <li>Indoor unit address setting and monitoring</li> <li>SD card slot</li> </ul>	 	[Unit: mm(inch)] 1200(4.72) 1900(7.5) 1200(4.72)
<b>Simple Type Controller MWR-SH00N</b> <ul style="list-style-type: none"> <li>Simplified wired remote controller</li> <li>AC operation ON/OFF control</li> <li>Fan speed control</li> <li>Setting operation mode and temperature</li> <li>Reset filter cleaning alert indicator</li> <li>Adjust airflow direction</li> <li>Operation ON/OFF timer function</li> </ul>	 	122(4.81) 75(2.95) 16(0.63)

<b>Touch Controller MWR-SH11N</b> <ul style="list-style-type: none"> <li>Bigger display: clear &amp; bright backlight screen with big fonts</li> <li>WindFree™ button: control WindFree™ function with just one click</li> <li>Room temperature monitor and room temperature display thanks to the built-in temperature sensor</li> <li>Icon/Function Lock: option of restricting icon/function on the display</li> <li>Sleep Mode: help users to sleep better by controlling temperature</li> <li>Outing Feature: keep room temperature above/below specific set value when the user is out of the room</li> </ul>	 	119(4.72) 93.5(3.68) 17(0.67)
<b>Wireless Receiver Kit MRK-A10N</b> <ul style="list-style-type: none"> <li>Concealed wireless signal receiver</li> <li>Filter replacement sign</li> <li>Fan operation display</li> <li>Operation Timer setting display</li> <li>Operation ON/OFF button</li> <li>Operation On display LED (blue)</li> <li>Defrost operation display LED (red)</li> </ul>	 	803.14 240(9.4) 1305.11 210(8.3)

Centralised Control System		
<b>ON/OFF Controller MCM-A202DN</b> <ul style="list-style-type: none"> <li>Maximum 16-group controller (Max. 128 units)</li> <li>Whole/Group/Individual indoor unit control (ON/OFF)</li> <li>Restriction on the use of wireless/wired remote controllers and external contact control</li> <li>Cooling and heating mode control</li> <li>Indoor unit error display</li> </ul>	 	[Unit: mm(inch)] 1104.33 552.17 200.75 1204.72 1980.75 200.75 762.91 1980.75 200.75
<b>Touch Centralised Controller MCM-A300N</b> <ul style="list-style-type: none"> <li>7-inch touch LCD controller</li> <li>Controls a maximum of 128 indoor units</li> <li>Controls a maximum of 12 zones</li> <li>Schedule control, Indoor unit usage restriction, View indoor unit error history</li> </ul>	 	205 163 38 [Unit: mm(inch)]
<b>Wi-Fi Kit MIM-H04EN</b> <ul style="list-style-type: none"> <li>Controls and monitoring system air conditioner by mobile phone. (Max. 16 units)</li> <li>Weekly schedule setting</li> <li>Group control and monitoring (ON/OFF)</li> <li>Current/daily/weekly/monthly energy usage data of outdoor unit. (This function is available in certain outdoor unit models)</li> </ul>		
<b>Module Controller MCM-A00N</b> <ul style="list-style-type: none"> <li>DVM CHILLER ON/OFF control (Module/Group)</li> <li>Operation mode, water outlet temperature setting</li> <li>Optional operation setting</li> <li>Module/Group setting</li> <li>Weekly operation schedule setting</li> </ul>	 	

Gateway System

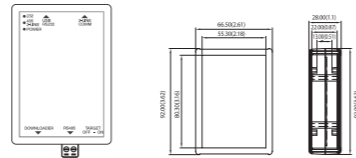
<p><b>BACnet Gateway</b> MIM-B17BN</p> <p>With the BMS control and monitoring function, BACnet gateway makes it easy to control the air conditioning network in various ways. BACnet gateway can control up to 256 indoor units, used in combination with S-NET 3.</p> <ul style="list-style-type: none"> <li>Interface for BACnet management system</li> <li>Maximum of 256 indoor units plus ERVs, supported by a maximum of 80 interface modules</li> <li>Includes DMS 2.5 functions</li> </ul>		
<p><b>LonWorks Gateway</b> MIM-B18BN</p> <p>LonWorks gateway is an interface for Lon-Connection to the LonWorks management system, providing you with a more convenient way to manage your air conditioning system. It can control a maximum of 128 indoor units, used in combination with S-NET 3.</p> <ul style="list-style-type: none"> <li>Exclusive use for DMS 2.5 power distribution</li> <li>Connection with up to eight watt-hour meters</li> <li>Pulse interface with watt-hour meters</li> <li>Watt-hour meter - by third party</li> </ul>		
<p><b>External Contact Interface Module</b> MIM-B14</p> <p>Samsung Guestroom Management System saves users the energy and money wasted on cooling an unoccupied room. The air conditioner is activated when the Key-Tag is in place and turns off when the Key-Tag is removed. An external contact interface module provides direct indoor unit control via an external contact signal, as well as window-synchronised indoor unit control. The emergency control function features simple contact input. The module also generates indoor unit operation/error state output through relay contacts.</p> <ul style="list-style-type: none"> <li>Direct indoor unit control by external contact signal</li> <li>Window-synchronised indoor unit control</li> <li>Emergency control with simple contact input</li> <li>Indoor unit operation/error state output through relay contacts</li> </ul>		
<p><b>PIM (Pulse Interface Module)</b> MIM-B16N</p> <ul style="list-style-type: none"> <li>The Watt-Hour Meter Interface Module can be exclusively used for DMS 2.5 power distribution, displaying power consumption for each watt-hour meter.</li> <li>Exclusive use for DMS 2.5 power distribution</li> <li>Connection with up to eight watt-hour meters</li> <li>Pulse interface with watt-hour meters</li> <li>Watt-hour meter - by third party</li> </ul>		

<p><b>Interface Module</b> MIM-N01</p> <ul style="list-style-type: none"> <li>Communication interface module between outdoor units and the upper level controller which makes use of a different type of communication</li> <li>Connect one interface module to one outdoor unit</li> <li>Individual control - maximum of 48 indoor units</li> <li>Group control - maximum of 16 groups</li> <li>Automatic detection of communication type: determine the communication type used by the upper level controller according to the communication type used by the outdoor unit</li> <li>Supported communication type             <ul style="list-style-type: none"> <li>Conventional outdoor unit communication ↔ New upper level controller communication</li> <li>New outdoor unit communication ↔ Conventional upper level controller communication</li> </ul> </li> </ul>		
<p><b>FCU Interface Module</b> MIM-F10N</p> <ul style="list-style-type: none"> <li>Communication interface module</li> <li>Connect one FCU interface module to a maximum of 16 FCU Kits.</li> <li>Supports FCU Kit only</li> </ul>		
<p><b>Interface Module (Converter RS485 to NASA)</b> MIM-N10</p> <ul style="list-style-type: none"> <li>Communication interface module between new communication ERV and controller</li> <li>Connect one ERV interface module to a maximum of 16 ERVs</li> <li>Individual control - maximum of 16 ERVs</li> <li>Group control - maximum of 16 groups</li> <li>Supported communication type             <ul style="list-style-type: none"> <li>Conventional ERV communication ↔ New upper level controller communication</li> <li>New ERV communication ↔ Conventional upper level controller communication</li> <li>New ERV communication ↔ New upper level controller communication</li> </ul> </li> </ul>		
<p><b>FCU Kit</b> MIM-F00N</p> <ul style="list-style-type: none"> <li>For 3rdParty FCU</li> <li>Communication and control interfacing kit between 3rd party FCU and Samsung control system</li> <li>Possible to use wired remote controller</li> <li>Possible to use DMS 2.5, touch centralized controller</li> <li>Provides external contact input</li> <li>Outputs control signal for FCU fan / water valve</li> <li>Size: 270 x 200 x 87.4mm (W x H x D)</li> </ul>		

Installation/Test Run Solution

**S-Converter  
MIM-C02N**

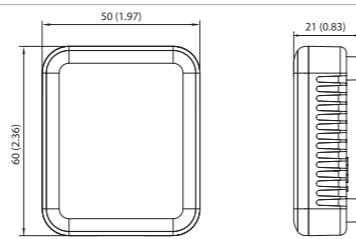
- Communication converting module to connect Samsung system air conditioner to a PC.
- Main purpose for use
  - To connect with test run programme [Test run programme]
  - S-NET Pro: Conventional communication
  - S-NET Pro2: New communication



Others

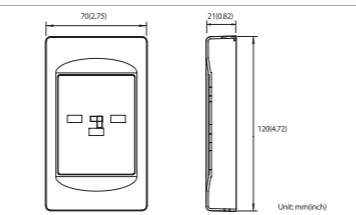
**External Room Sensor  
MRW-TA**

- Indoor unit is operated by MRW-TA instead of its own sensor.
- Wire length: 12 m (39 ft)



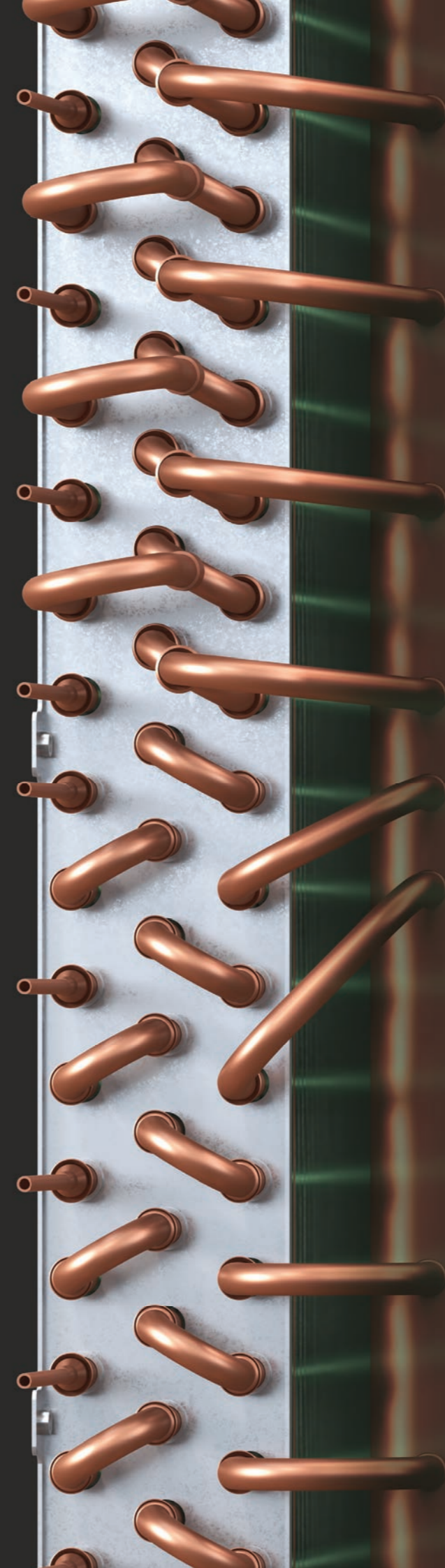
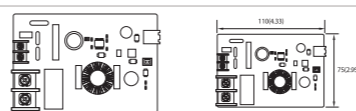
**Operation Mode Selection Switch  
MCM-C200**

- Outdoor unit operation mode selection (Cooling, Heating or Auto)
- Mixed operation mode protection



**MTFC (Multi-Tenant Function Controller)  
MCM-C210N**

- Multi-tenant function controller is an auxiliary power supply device which allows the indoor unit to turn off (close EEV) normally and maintain communication when the mains power supply is cut.
- It is used on sites such as hotels, where individual power is supplied to the indoor unit












# Accessories

# Line-up

Classification	Image	Model DVM S (New Communication Protocol)	Application
Drain Pump		MDP-E075SEE3D	Slim Duct (2.0~14.0 kW)
		MDP-N047SNC1D	HSP Duct (22.4/28.0 kW) Fresh Air Intake Duct (14.0 kW)
		MDP-G075SP	Global Duct (External Type)
		MDP-G075SQ	Global Duct (Internal Type)
AHU Kits		MXD-K025AN	EEV + Control Kit (7.00~8.75 kW AHU)
		MXD-K050AN	EEV + Control Kit (14.00~17.50 kW AHU)
		MXD-K075AN	EEV + Control Kit (21.00~26.25 kW AHU)
		MXD-K100AN	EEV + Control Kit (28.00~35.00 kW AHU)
		MXD-A64K100E	AHU EEV Kit (10 hp)
		MCM-D201N	Control Kit (PBA, 10 hp~40 hp)
360 Cassette Front Panel		PC4NUDMAN	NASA, Square
		PC4NBDMAN	NASA, Square - Black
		PC4NUNMAN	NASA, Circle (exposed installation)
		PC4NBNMAN	NASA, Circle (exposed installation) - Black
WindFree™ 4-Way Cassette Front Panel		PC4NUFMAN	WindFree™ 4-Way Cassette (900x900)
		PC4SUFMAN	WindFree™ 4-Way 600 x 600 Cassette
4-Way Cassette Front Panel		PC4NUSKAN	4-Way Cassette S - Waffle
		PC4NUSKEN	4-Way Cassette S - Classic
WindFree™ 1-Way Cassette Front Panel		PC1MWFMAN	WindFree™ 1-Way Cassette (1.7~2.2 kW)
		PC1NWFMAN	WindFree™ 1-Way Cassette (2.8~3.6kW)
		PC1BWFMAN	WindFree™ 1-Way Cassette (5.6~7.1kW)
WindFree™ 1-Way Cassette FCU Front Panel Medium		PC1NWFMBN	WindFree™ 1-Way Cassette FCU (2.8~3.6kW)
		PC1BWFMBN	WindFree™ 1-Way Cassette FCU (5.6~7.1kW)
1-Way Cassette Front Panel		PC1BWSMAN	1-Way Cassette (New Air Fluid Design) (1.7~2.2 kW)
		PC1NUSMAN	Slim 1-Way Cassette (2.2~3.5 kW)
Air Purification Panel * For only CAC, DVM		PC6EUCMAN	360 Cassette
		PC4NUCEAN	WindFree™ 4-Way Cassette (900x900)
		PC1MWCMAN	WindFree™ 1-Way Cassette (1.7~2.2 kW)
		PC1NWCMAN	WindFree™ 1-Way Cassette (2.8~3.6kW)
		PC1BWCMAN	WindFree™ 1-Way Cassette (5.6~7.1kW)
Auto Elevation Panel * For only CAC, DVM		PC6EUXMAN	360 Cassette
		PC4NUXMAN	WindFree™ 4-Way Cassette (900x900)
SPI Kit		MSD-CAN1	360 Cassette, WindFree™ 4-Way Cassette, Big Ceiling
		MSD-EAN1	Duct S, ERV (Plus)

Classification	Image	Model DVM S (New Communication Protocol)	Application
Motion Detect Sensor		MCR-SMC	WindFree™ 4-Way 600x600 Cassette
		MCR-SMD	WindFree™ 4-Way Cassette
		MCR-SME	360 Cassette
Y-joint		MXJ-YA1509M	15.0 kW and below
		MXJ-YA2512M	Over 15.0 kW~40.0 kW and below
		MXJ-YA2812M	Over 40.0 kW~45.0 kW and below
		MXJ-YA2815M	Over 45.0 kW~70.3 kW and below
		MXJ-YA3419M	Over 70.3 kW~98.4 kW and below
		MXJ-YA4119M	Over 98.4 kW~135.2 kW and below
Y-Joint (HR Only)		MXJ-YA4422M	Over 135.2 kW
		MXJ-YA1500M	22.4 kW and below
Y-Joint (HR Outdoor)		MXJ-YA2500M	Over 22.4 kW~70.3 kW and below
		MXJ-YA3100M	Over 70.3 kW~135.2 kW and below
		MXJ-YA3800M	Over 135.2 kW
Y-Joint (Outdoor Unit)		MXJ-TA3419M	135.2 kW and below
		MXJ-TA4122M	140.2 kW and over
Y-Joint (HR Outdoor Unit)		MXJ-TA3100M	135.2 kW and below
		MXJ-TA3800M	140.2 kW and over
Y-Joint (for MCU)		MXJ-YM1509M	Over 16.0 kW~28.0 kW and below
		MXJ-YM1206M	Over 6.0 kW~14.0 kW and below
		MXJ-YM1206R	Over 6.0 kW~14.0 kW and below
Distribution Header		MXJ-HA2512M	45.0 kW and below (for 4 rooms)
		MXJ-HA3115M	70.3 kW and below (for 8 rooms)
		MXJ-HA3819M	Over 70.3 kW~135.2 kW and below (for 8 rooms)
Heat Recovery Changer		MCU-R4NEK0N	
		MCU-S6NEK3N	
MCU		MCU-S6NEK2N	6 ports, max 61.6 kW (~16 kW/port)
		MCU-S4NEK3N	4 ports, max 61.6 kW (~16 kW/port)
		MCU-S2NEK2N	2 ports, max 32.0 kW (~16 kW/port)
		MCU-S1NEK1N	1 ports, max 16.0 kW (~16 kW/port)

Classification	Image	Model DVM S (New Communication Protocol)	Application
EEV Kit		MXD-E24K132A	2 Indoor
		MXD-E24K200A	
		MXD-E32K200A	
		MXD-E24K232A	3 Indoor
		MXD-E24K300A	
		MXD-E32K224A	
		MXD-E32K300A	1 Indoor
		MEV-E24SA	
	DRAIN HORSE		MEV-E32SA
MOK-200DA			
Differential Pressure Switch		MOS-P1050	ERV (Plus)
CO <sub>2</sub> SENSOR		MOS-C1	ERV (Plus)
3rd party FCU Accessories		ACL-A60V3	3-Way Valve Kit
		ACL-ADP	Drain pipe
		ACL-A0**HC	Heating coil 4-pipe
		ACL-A0**V3	3-Way Valve Kit 4-pipe
		ACL-ADV	Auxilliary Drain Pan Vertical
		ACL-ADH	Auxilliary Drain Pan Horizontal



# Design and support



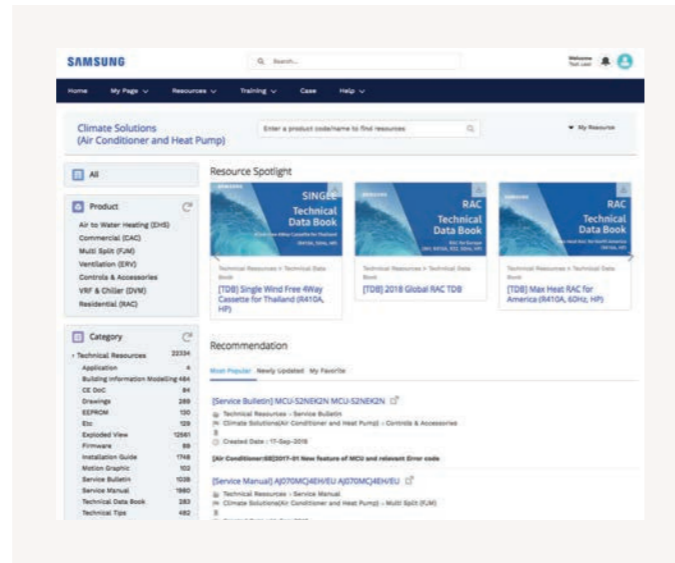


# Samsung Climate Solutions Partner Portal

As one of Samsung's registered Climate Solutions partners, you will have access to our Partner Portal and its many benefits. Whether you are looking for marketing materials or technical product documentation, requesting technical support or registering for training, the Samsung Climate Solutions Partner Portal offers you everything you need to consistently deliver the best results.

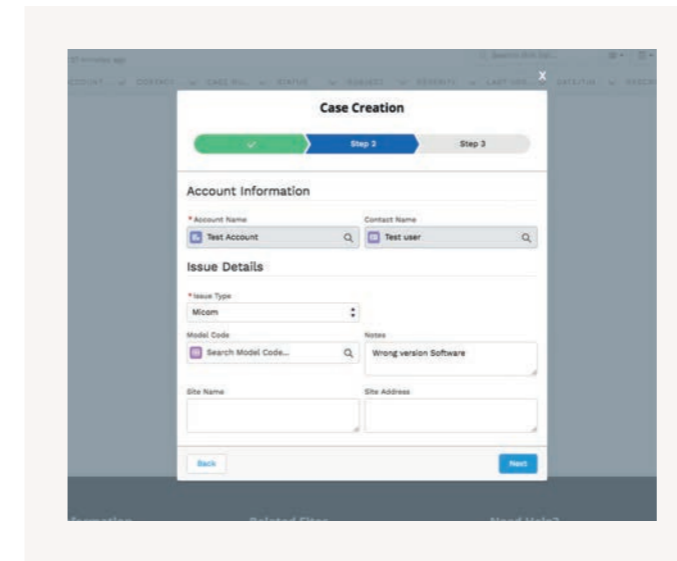
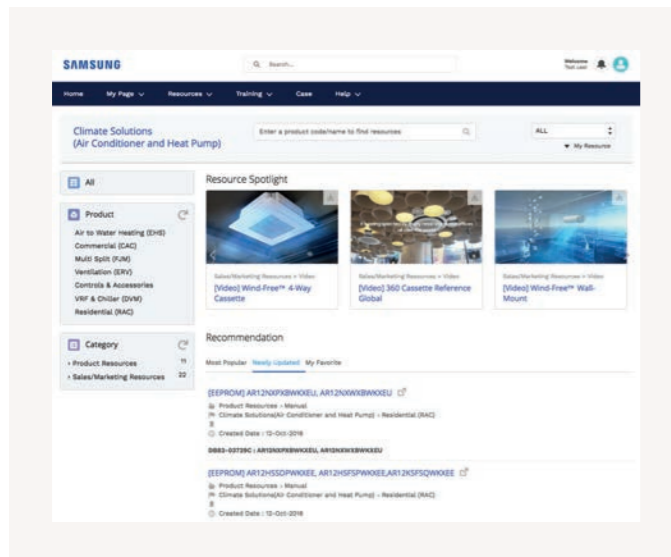
## Access technical resources

The Technical Resources section provides you with all of the relevant information you need to understand the product's functionality and to prepare and design projects. A library full of technical information is at your fingertips, ranging from technical data books, BIM files and certificates to exploded views, CAD drawings and user and installation manuals..



## Obtain marketing resources

Potential buyers like to know that you are on the cutting edge of Samsung's latest innovations. To enable you to align with Samsung's marketing initiatives, the Partner Portal provides you with useful downloadable assets such as images and videos, designed to make your marketing activities easy and effective.



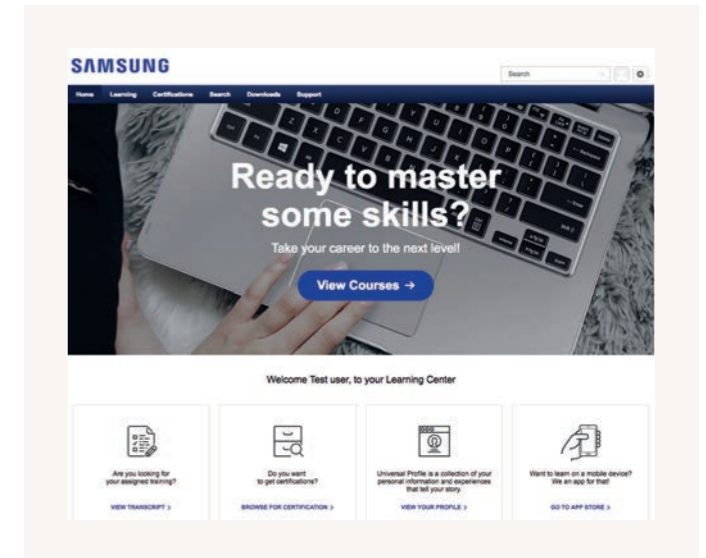
## Request technical support

You can easily request technical support through the Samsung Partner Portal by reporting your case using our built-in ticketing system. You can rest assured that our well-trained technical experts will work to solve your issue as soon as possible.

## Register for training

If you are dedicated to becoming a Samsung climate solutions expert, you can access Samsung's educational portal for training sessions provided by experienced trainers. The portal allows you to search for online courses and materials, test your climate solutions knowledge, and more. The Samsung Business Academy is here to help you succeed.<sup>1</sup>

<sup>1</sup>The registration process for and availability of training courses may vary per country. Please contact your direct Samsung contact person for more information.



## How to access



Register

To register for the Samsung Climate Solutions Partner Portal, open your web browser<sup>1</sup> and go to [partnerhub.samsung.com/climate](https://partnerhub.samsung.com/climate) to complete the registration form.



Access

Your information will be verified and your account will be activated. You will receive your personal login details.



Manage account

Keep your account details up to date and invite your colleagues to join.



Search and download

Access a full library of resources, request technical support, or sign up for a Climate Solutions Academy training session.

<sup>1</sup>Google Chrome is the recommended web browser for using the Samsung Climate Solutions Partner Portal.

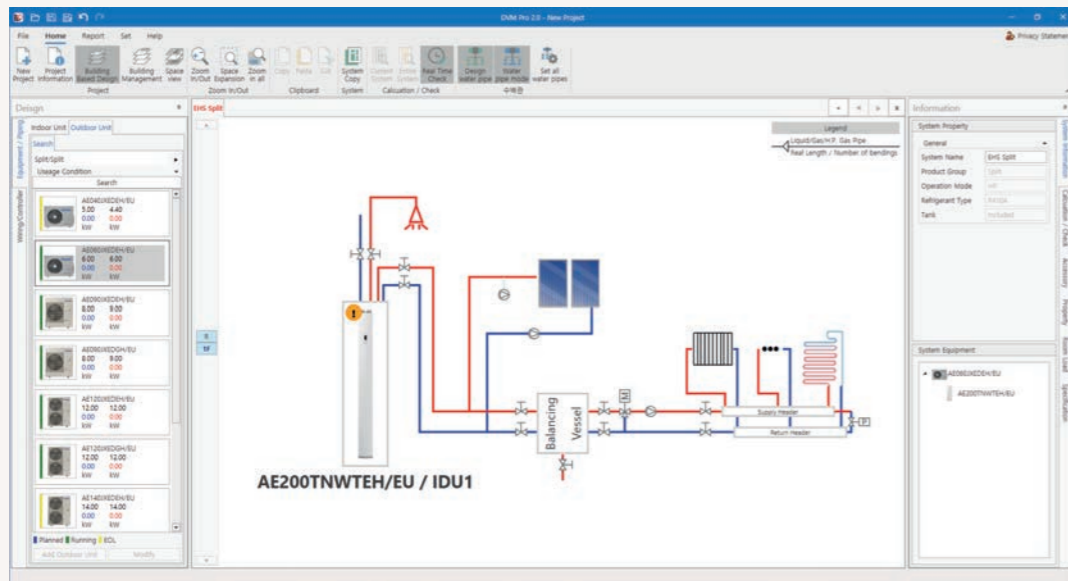
# Samsung DVM Pro 2.0 NEW

Samsung introduces new updated version of DVM Pro version 2.0. Product selection is extended and now the tool is also available for EHS and HVM lineup.

Samsung DVM Pro 2.0 is an advanced design automation programme which helps you to select the most suitable equipment for easily and precisely designing your air conditioning system. It helps to ensure that the system's design falls within Samsung's engineering guidelines. With its reports, pipe and wire diagrams, additional refrigerant values and other information, Samsung DVM Pro 2.0 is a powerful tool for engineers, designers or installers.

## Sales Mode

Sales Mode enables users to define their requirements and select air conditioning products quickly and easily.



**Product selection**  
List of equipment, including indoor units, outdoor units, controls and accessories

**Piping schematics**  
Basic or manual selection with system check and capacity simulation

**Control systems**  
Automatic control unit selection

**Reports**  
Specifications, diagrams in DWG & BMP format, quotations

**Performance simulation**  
Capacity correction tool against specific design conditions

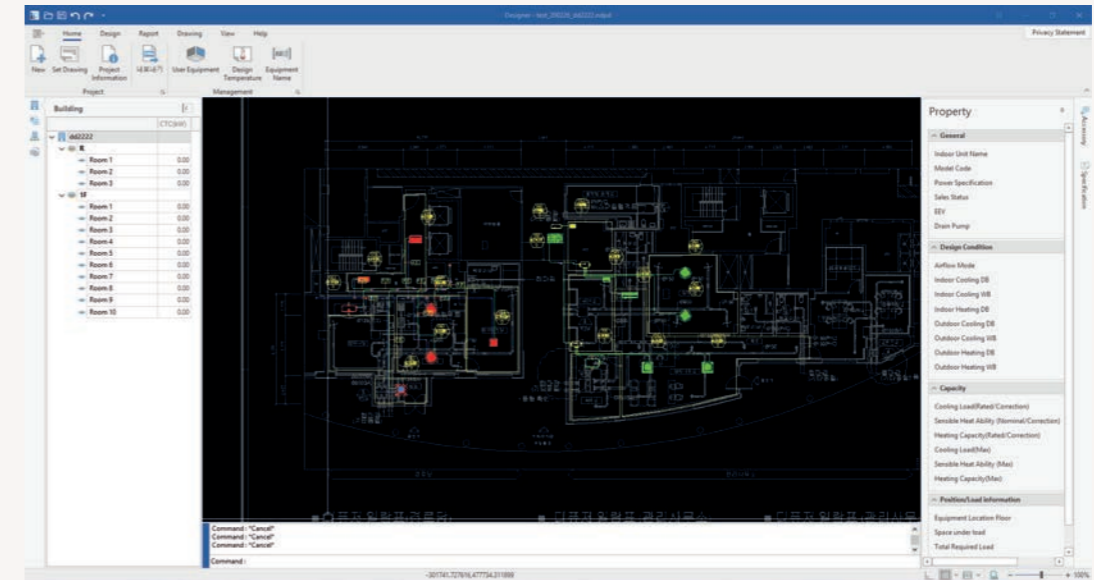
**Updated Toolbar NEW**  
User-friendly tool bar helps to guide intuitively

**Wiring schematics**  
Automatic diagrams including communication wiring for indoor/outdoor/control units and electric power meters

## CAD Mode

CAD Mode is an in-depth and precise design tool that enables users to design their air conditioning systems using AutoCAD software<sup>1</sup>.

<sup>1</sup> Sourced separately.



**Pipe sizing & lengths**  
Refrigerant & drain pipe sizing

**System check**  
Installation regulation & refrigerant charging

**Automatic selection**  
Refnet joint, header & distributor kit

**Automatic report**  
Piping installation

**Design without AutoCAD NEW**  
Compatible with AutoCAD and AutoCAD LT for DWG.

## How to access



Register

Go to [dvmpo.mkt.samsung.com](http://dvmpo.mkt.samsung.com) to access the Samsung DVM Pro 2.0 Portal<sup>1</sup>. If you do not have access yet, complete the registration process and you will be sent the access details.



Select

Click on DVM Pro 2.0 via the main menu and scroll to the end of the page to select the option DVM Pro 2.0 download.



Download

Download the DVM Pro 2.0 installation file, view the user manuals, and start designing your project.

<sup>1</sup> Google Chrome is the recommended web browser for using the Samsung DVM Pro 2.0 Portal.

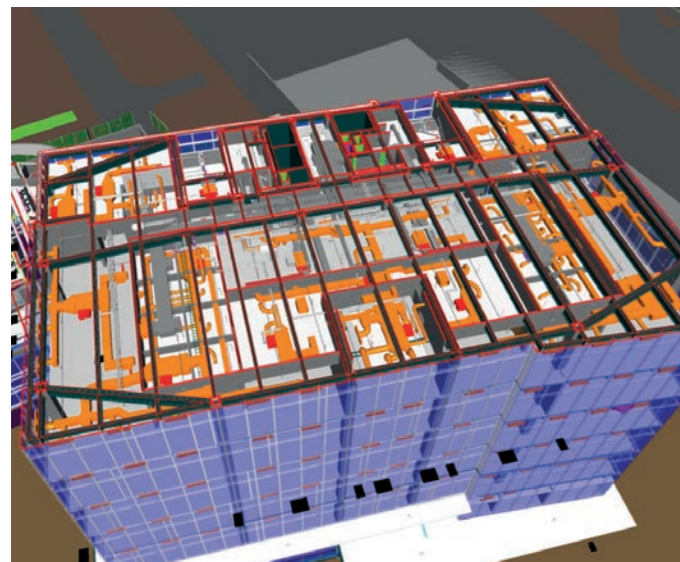
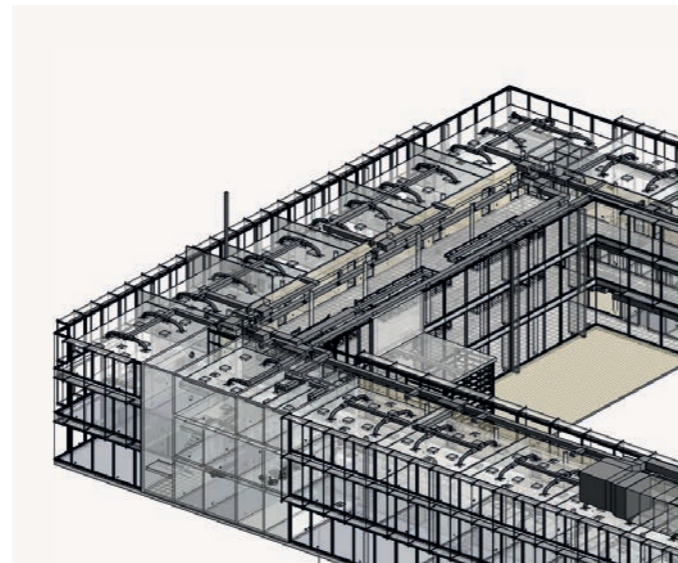


# Samsung specialist design support

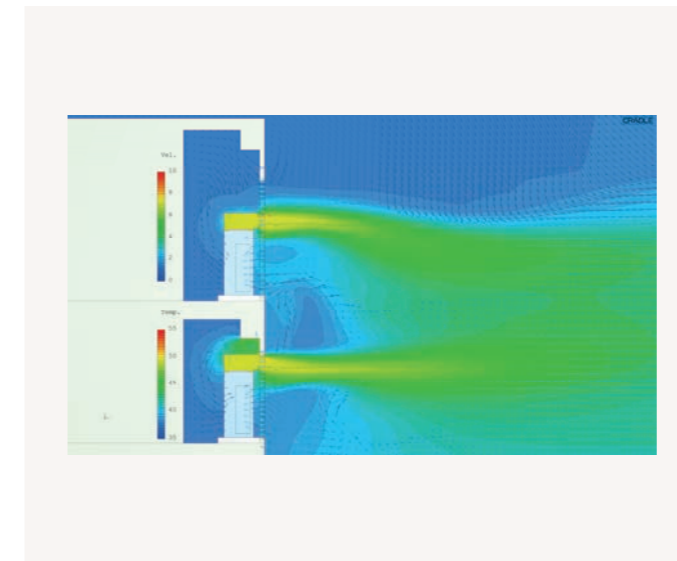
Bringing together technical expertise and practical experience in climate system design, Samsung provides a single point of contact for the design and management of cooling and heating installations in buildings. With assistance ranging from 3D visualisations with BIM support to CFD analysis to optimise indoor thermal conditions and BREEAM advice to achieve the best environmental performance, Samsung's specialist engineers are ready to support you in making your project a success.

## BIM support

Building Information Modelling (BIM) is an intelligent 3D model-based process for creating and managing information on the physical and functional characteristics of a building, across the project lifecycle and covering all parties involved, including the supply chain. BIM gives architects, engineers and construction professionals the insights and tools necessary to efficiently plan, design, construct and manage buildings and infrastructure.



To support you as one of our Climate Solutions partners, Samsung has developed a full range of BIM models for all VRF and VRF Chiller products. You can download these 3D models directly from Samsung Partner Portal or from an online BIM object library by accessing [bimobject.com](http://bimobject.com). Alternatively, you can call on our qualified Samsung engineering team for dedicated project design support, using Revit® software to create 3D plans of the building including



## CFD analysis

Computational Fluid Dynamics (CFD) uses numerical analysis and data structures to analyse thermal conditions in buildings. It allows the virtual testing and optimisation of various climate system configurations in the context of occupant comfort, energy efficiency and running cost. Samsung can offer you specialist CFD support that includes analyses such as indoor temperature profiling, airflow distribution and sound simulation.

## BREEAM advice

BREEAM (BRE<sup>1</sup> Environmental Assessment Method) is one of the most widely used environmental assessment methods and rating systems for buildings. It sets the standard for best practice in sustainable design and has become the de facto measure used to describe a building's environmental performance. Samsung's Accredited Professionals (APs) can support you in assessing the optimal installation for achieving a high certification score to match your green building programme.

<sup>1</sup>BRE (Building Research Establishment) is a leading, multidisciplinary building science centre based in the United Kingdom.



## How to obtain support



BIM support

To download Samsung BIM models, go to the Technical Resources on [partnerhub.samsung.com/climate](http://partnerhub.samsung.com/climate)<sup>1</sup>. To request dedicated project design support from Samsung, please contact your Samsung representative.



CFD analysis

To obtain CFD analysis support from Samsung, please contact your Samsung representative. Certain conditions may apply, subject to the project.



BREEAM evaluations

Please contact your Samsung representative to request a BREEAM evaluation by one of Samsung's Accredited Professionals (APs).

<sup>1</sup> Google Chrome is the recommended web browser for using the Samsung Climate Solutions Partner Portal.

# Samsung Climate Solutions Academy

Samsung Climate Solutions Academy is committed to providing engineers with the technical skills required to install a Samsung product efficiently, and to help relay necessary information to users. All courses are designed to provide attendees with the opportunity to develop both theoretical and practical knowledge of Samsung's vast range of equipment and solutions.

## Samsung training centres in Europe



## Available training modules

### Essential courses: Basic commercial training

- The product line-up, accessories and available controls
- The unique features of Samsung products
- Installation considerations

### Advanced courses: Technical training

- How to correctly install and configure a system
- Commissioning: common issues during commissioning and how to resolve any challenges
- Troubleshooting and fault-finding (by use of E-codes)
- Control logic
- Case studies

### Advanced courses: Design training

- Understanding customers' needs and offering possible solutions
- DVM Pro 2.0 - Samsung's advanced design tool
- Case studies

Note: the registration process for and availability of training courses may vary per country. Please contact your Samsung representative for more information.

## How to register for training



Search

To check for available training courses, go to Samsung Business Academy (SBA) via the Samsung Climate Solutions Partner Portal<sup>1</sup>: [partnerhub.samsung.com/climate](https://partnerhub.samsung.com/climate). Search the online event calendar and select the training course you would like to attend.



Register

After identifying the training course you would like to attend, follow the registration process. Once you have registered successfully you will receive a confirmation e-mail.



Get certified

Following confirmation of your registration, we will invite you to one of our training centres. You will be trained by one of our specialised Master Trainers or Product Specialists, and receive a Certificate of Completion.

<sup>1</sup> Google Chrome is the recommended web browser for using the Samsung Climate Solutions Partner Portal.















Learn more about Samsung Climate Solutions at:  
[www.samsung.com/climate](http://www.samsung.com/climate)

Copyright © 2021 Samsung Electronics Air Conditioner Europe B.V. All rights reserved. Samsung is a registered trademark of Samsung Electronics Co., Ltd. Specifications and designs are subject to change without notice and may include preliminary information. Non-metric weights and measurements are approximate. All data was deemed correct at the time of creation. Samsung is not liable for errors or omissions. Some images may be digitally altered. All brand, product, service names and logos are trademarks and/or registered trademarks of their respective owners and are hereby recognised and acknowledged.



Samsung Electronics Co., Ltd. participates in the Eurovent Certification Programme (ECP) for Air Conditioners (AC), Variable Refrigerant Flow (VRF) and Liquid Chilling Packages Heat Pump (LCP-HP). To check the ongoing validity of certification, please visit: [www.eurovent-certification.com](http://www.eurovent-certification.com)

**Samsung Electronics Air Conditioner Europe B.V.**  
Evert van de Beekstraat 310, 1118 CX Schiphol  
P.O. Box 75810, 1118 ZZ Schiphol  
+31 (0)8 81 41 61 00  
The Netherlands

**SAMSUNG**